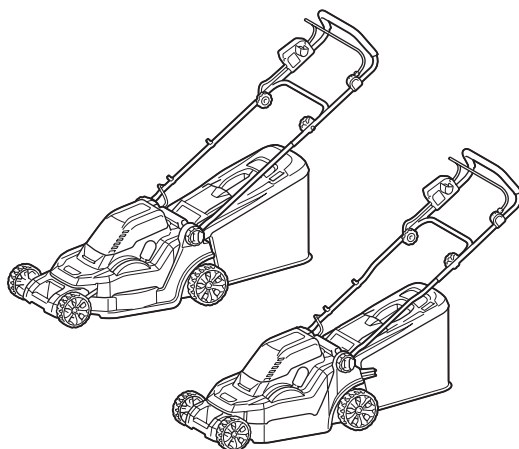




EN	Cordless Lawn Mower	INSTRUCTION MANUAL	7
SL	Akumulatorska kosilnica	NAVODILA ZA UPORABO	16
SQ	Kositëse bari me bateri	MANUALI I PËRDORIMIT	25
BG	Безжична косачка за трева	РЪКОВОДСТВО ЗА ЕКСПЛОАТАЦИЯ	34
HR	Bežična kosilica za travu	PRIRUČNIK S UPUTAMA	45
MK	Безжична косилка	УПАТСТВО ЗА УПОТРЕБА	54
SR	Бежична косилица за траву	УПУТСТВО ЗА УПОТРЕБУ	65
RO	Mașină de tuns iarba fără cablu	MANUAL DE INSTRUCȚIUNI	75
UK	Бездротова газонокосарка	ІНСТРУКЦІЯ З ЕКСПЛУАТАЦІЇ	85
RU	Аккумуляторная Газонокосилка	РУКОВОДСТВО ПО ЭКСПЛУАТАЦИИ	96

DLM382
DLM432



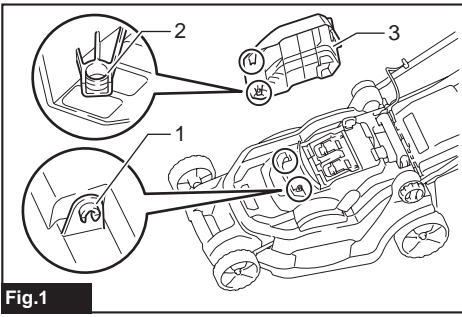


Fig.1

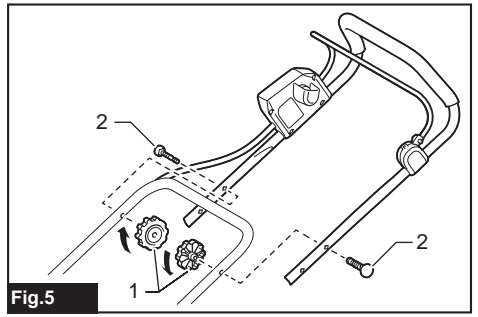


Fig.5

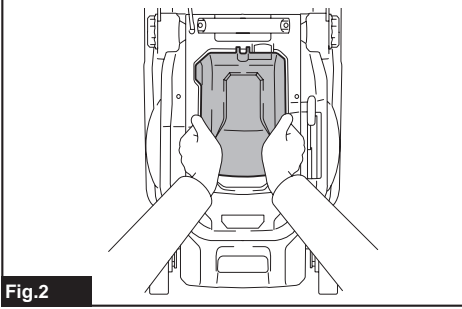


Fig.2

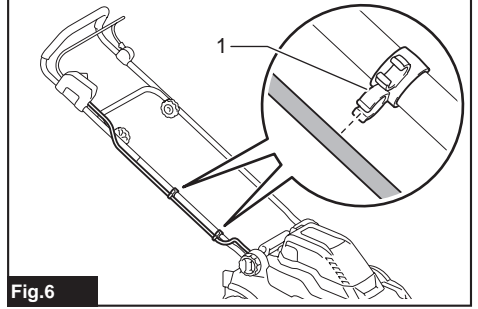


Fig.6

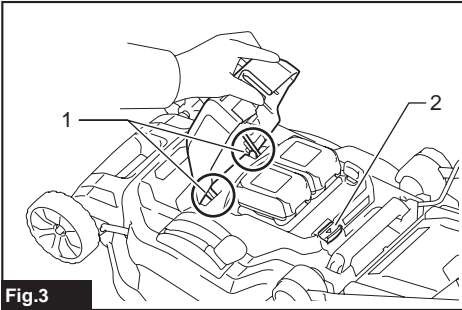


Fig.3

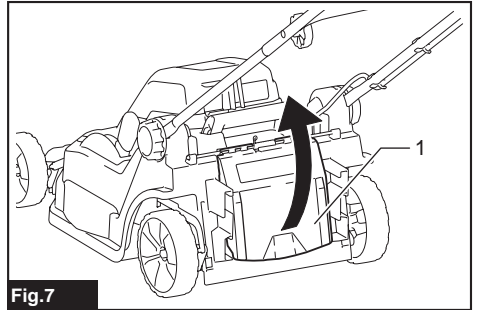


Fig.7

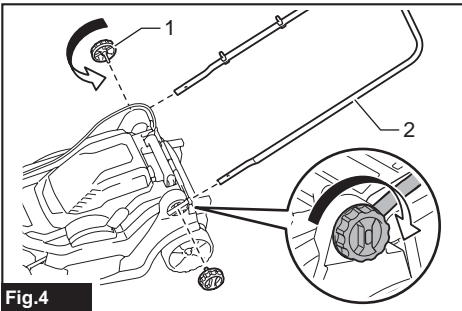


Fig.4

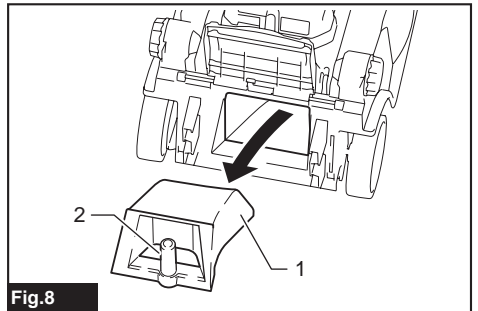


Fig.8

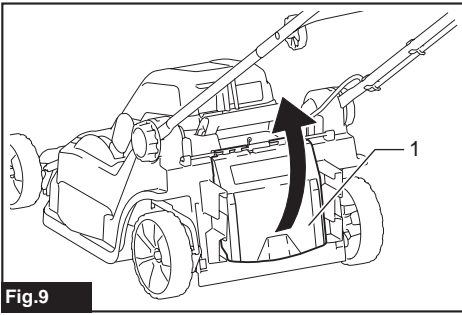


Fig.9

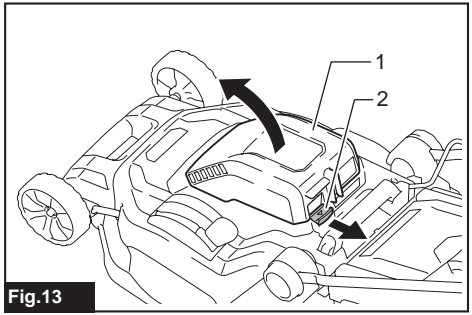


Fig.13

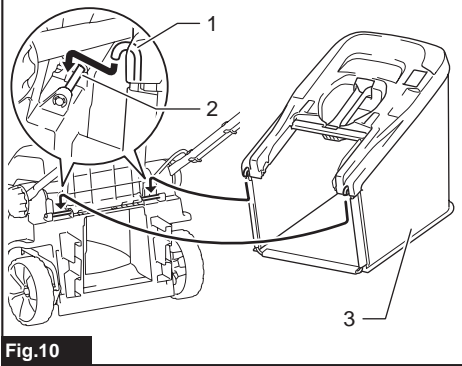


Fig.10

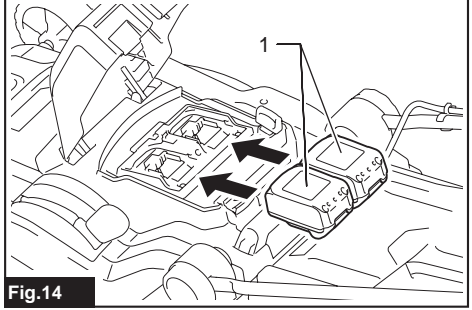


Fig.14

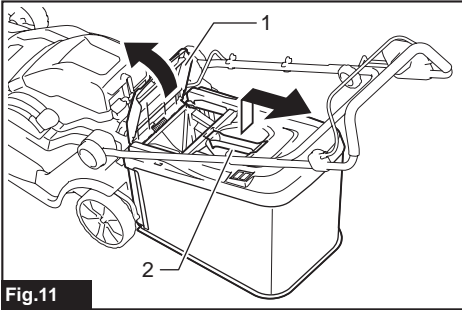


Fig.11

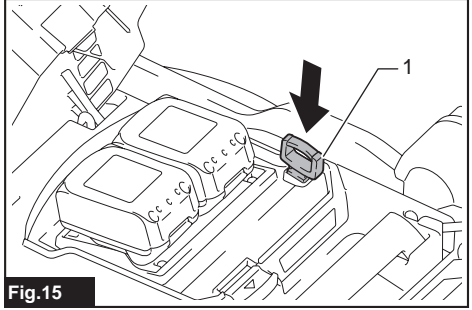


Fig.15

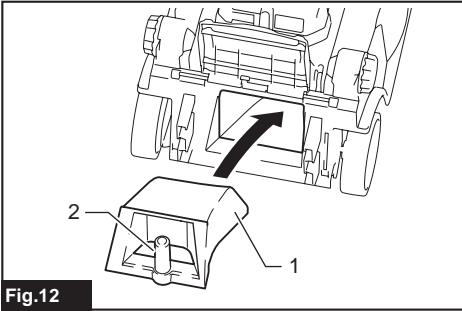


Fig.12

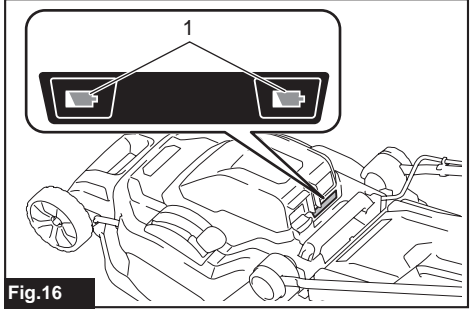


Fig.16

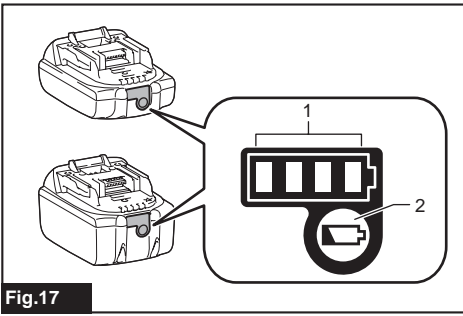


Fig.17

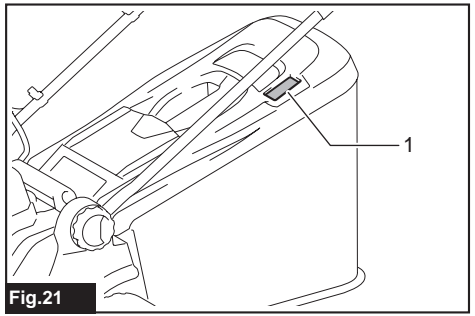


Fig.21

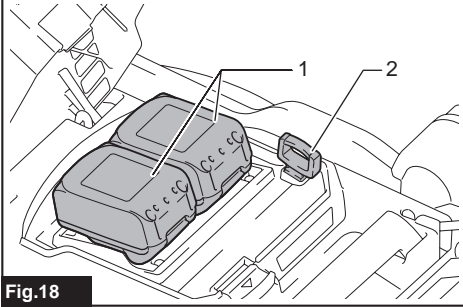


Fig.18

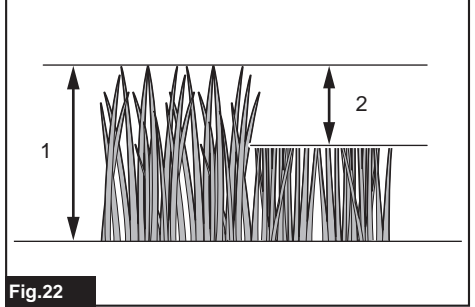


Fig.22

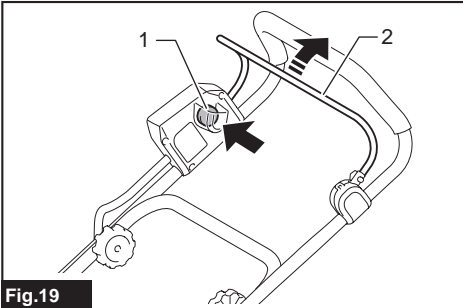


Fig.19



Fig.23

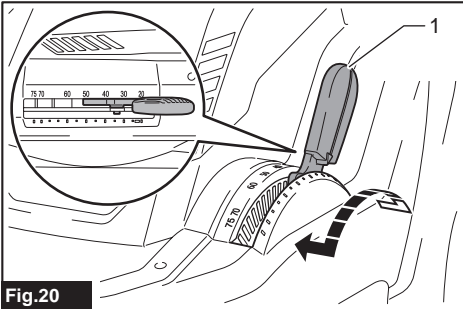


Fig.20

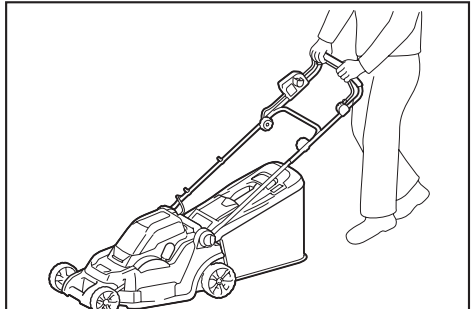


Fig.24

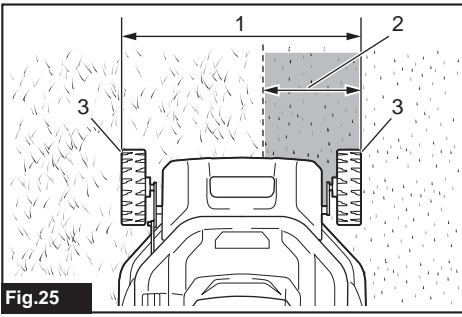


Fig.25

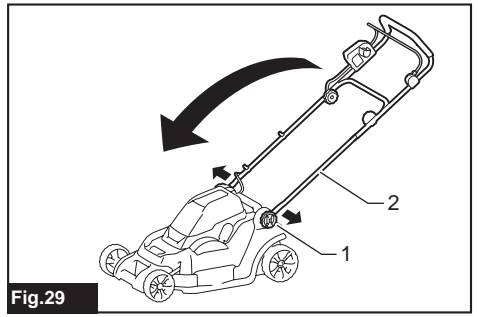


Fig.29

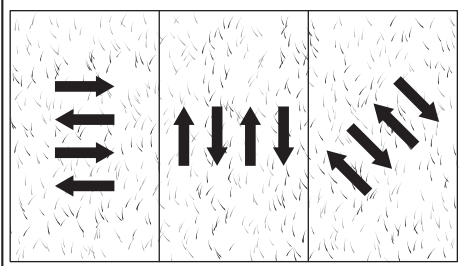


Fig.26

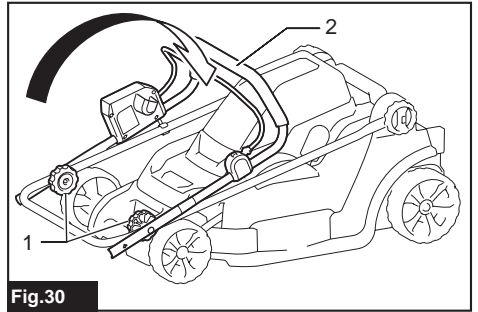


Fig.30

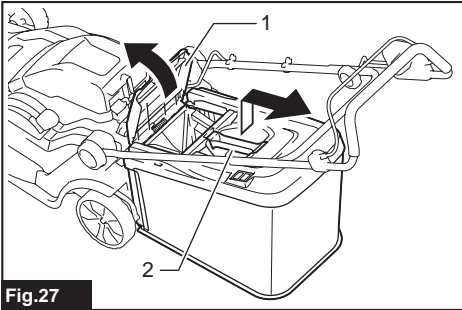


Fig.27

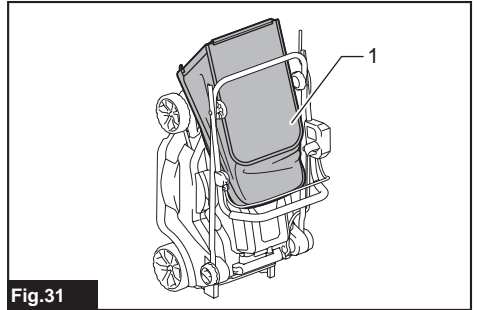


Fig.31

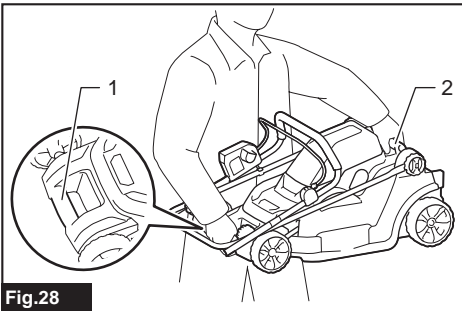


Fig.28

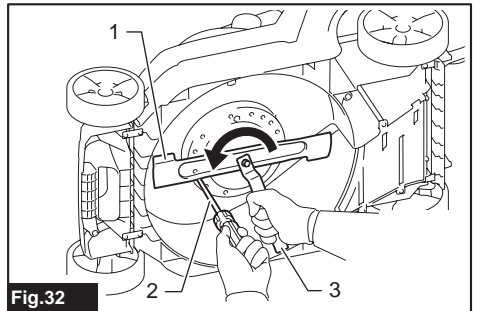


Fig.32

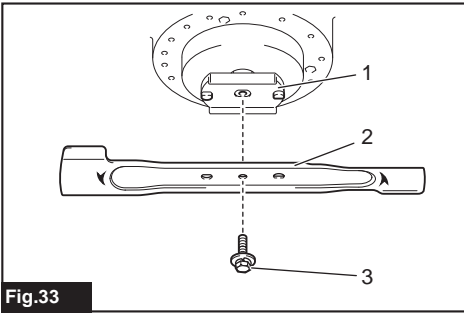


Fig.33

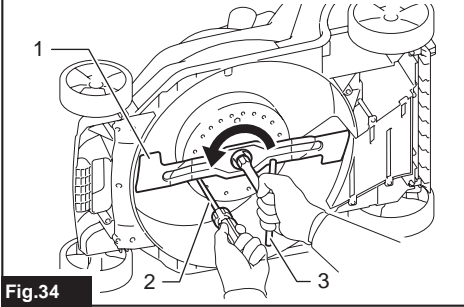


Fig.34

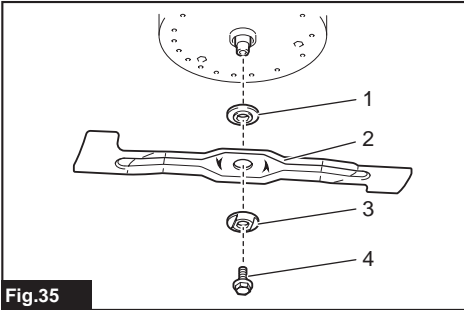


Fig.35

SPECIFICATIONS

Model:		DLM382	DLM432
Mowing width (blade diameter)		380 mm	430 mm
No load speed		3,700 min ⁻¹	3,600 min ⁻¹
Part number of replacement mower blade		191D41-2	191D43-8
Dimensions (L x W x H)	during operation	L: 1,380 mm to 1,410 mm W: 450 mm H: 985 mm to 1,005 mm	L: 1,435 mm to 1,490 mm W: 460 mm H: 1,005 mm to 1,045 mm
	when stored (without grass basket)	860 mm x 450 mm x 475 mm	865 mm x 460 mm x 475 mm
Rated voltage		D.C. 36 V	
Net weight		16.2 - 16.9 kg	16.8 - 17.5 kg

- Due to our continuing program of research and development, the specifications herein are subject to change without notice.
- Specifications may differ from country to country.
- The weight may differ depending on the attachment(s), including the battery cartridge. The lightest and heaviest combination, according to EPTA-Procedure 01/2014, are shown in the table.

Applicable battery cartridge

BL1815N / BL1820 / BL1820B / BL1830 / BL1830B / BL1840 / BL1840B / BL1850 / BL1850B / BL1860B

- Some of the battery cartridges listed above may not be available depending on your region of residence.

⚠ WARNING: Only use the battery cartridges listed above. Use of any other battery cartridges may cause injury and/or fire.

Symbols

The followings show the symbols used for the equipment. Be sure that you understand their meaning before use.

	Take particular care and attention.
	Read instruction manual.
	Danger; be aware of thrown objects.
	The distance between the tool and bystanders must be at least 15 m.
	Never put your hands and feet near the blade under the mower. Blades continue to rotate after the motor is switched off.
	Remove the lock key before inspecting, adjusting, cleaning, servicing, leaving and storing the mower.
 Ni-MH Li-Ion	Only for EU countries Do not dispose of electric equipment or battery pack together with household waste material! In observance of the European Directives, on Waste Electric and Electronic Equipment and Batteries and Accumulators and Waste Batteries and Accumulators and their implementation in accordance with national laws, electric equipment and batteries and battery pack(s) that have reached the end of their life must be collected separately and returned to an environmentally compatible recycling facility.

Intended use

The machine is intended for lawn mowing.

Noise

The typical A-weighted noise level determined according to EN60335-2-77:

Model DLM382

Sound pressure level (L_{pA}) : 81 dB(A)

Sound power level (L_{WA}) : 91 dB (A)

Uncertainty (K) : 3 dB(A)

Model DLM432

Sound pressure level (L_{pA}) : 81 dB(A)

Sound power level (L_{WA}) : 92 dB (A)

Uncertainty (K) : 3 dB(A)

NOTE: The declared noise emission value(s) has been measured in accordance with a standard test method and may be used for comparing one tool with another.

NOTE: The declared noise emission value(s) may also be used in a preliminary assessment of exposure.

⚠ WARNING: Wear ear protection.

⚠ WARNING: The noise emission during actual use of the power tool can differ from the declared value(s) depending on the ways in which the tool is used especially what kind of workpiece is processed.

⚠ WARNING: Be sure to identify safety measures to protect the operator that are based on an estimation of exposure in the actual conditions of use (taking account of all parts of the operating cycle such as the times when the tool is switched off and when it is running idle in addition to the trigger time).

Vibration

The vibration total value (tri-axial vector sum) determined according to EN60335-2-77:

Model DLM382

Vibration emission (a_w): 2.5 m/s² or less
Uncertainty (K): 2.0 m/s²

Model DLM432

Vibration emission (a_w): 2.5 m/s² or less
Uncertainty (K): 1.5 m/s²

NOTE: The declared vibration total value(s) has been measured in accordance with a standard test method and may be used for comparing one tool with another.

NOTE: The declared vibration total value(s) may also be used in a preliminary assessment of exposure.

⚠ WARNING: The vibration emission during actual use of the power tool can differ from the declared value(s) depending on the ways in which the tool is used especially what kind of workpiece is processed.

⚠ WARNING: Be sure to identify safety measures to protect the operator that are based on an estimation of exposure in the actual conditions of use (taking account of all parts of the operating cycle such as the times when the tool is switched off and when it is running idle in addition to the trigger time).

EC Declaration of Conformity

For European countries only

The EC declaration of conformity is included as Annex A to this instruction manual.

SAFETY WARNINGS

IMPORTANT SAFETY INSTRUCTIONS

⚠ WARNING: Read all safety warnings and all instructions. Failure to follow the warnings and instructions may result in electric shock, fire and/or serious injury.

Save all warnings and instructions for future reference.

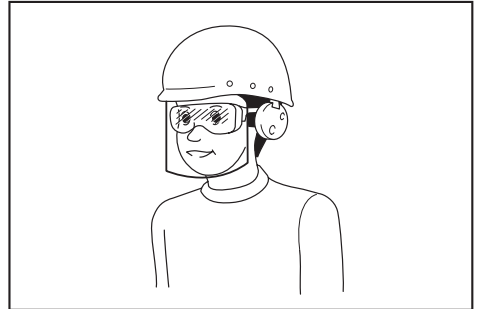
Training

1. Read the instructions carefully. Be familiar with the controls and the proper use of the mower.
2. Never allow children or people unfamiliar with these instructions to use the mower. Local regulations can restrict the age of the operator.
3. Never operate the mower while people, especially children, or pets are nearby.
4. Keep in mind that the operator or user is responsible for accidents or hazards occurring to other people or their property.

5. Children should be supervised to ensure that they do not play with the mower.
6. **Physical condition - Do not operate mower while under the influence of drugs, alcohol, or any medication.**

Preparation

1. While operating the mower, always wear substantial footwear and long trousers. Do not operate the mower when barefoot or wearing open sandals. Avoid wearing clothing or jewelry that is loose fitting or that has hanging cords or ties. They can be caught in moving parts.
2. Before use, always visually inspect the mower for damaged, missing or misplaced guards or shields.
3. Be sure the area is clear of other people before mowing. Stop mower if anyone enters the area.
4. Do not insert the lock key into mower until it is ready to be used.
5. Always wear protective goggles to protect your eyes from injury when using power tools. The goggles must comply with ANSI Z87.1 in the USA, EN 166 in Europe, or AS/NZS 1336 in Australia/New Zealand. In Australia/New Zealand, it is legally required to wear a face shield to protect your face, too.



It is an employer's responsibility to enforce the use of appropriate safety protective equipments by the tool operators and by other persons in the immediate working area.

6. Check the blades or blade bolts carefully for cracks or damage before operation. Replace cracked or damaged blades or blade bolts immediately.
7. Remove foreign matters such as rocks, wire, bottles, bones and large sticks from the work area before mowing to prevent personal injury or damage to the mower.
8. Objects struck by the mower blade can cause severe injuries to persons. The lawn should always be carefully examined and cleared of all objects prior to each mowing.
9. Watch for holes, ruts, bumps, rocks, or other hidden objects. Uneven terrain could cause a slip and fall accident. Tall grass can hide obstacles.

Operation

1. Do not overreach. Keep the balance at all times. Always be sure of the footing on slopes. Walk, never run.

2. **Stop the mower and remove the lock key, and make sure that all moving parts have come to a complete stop:**
 - whenever you leave the mower,
 - before clearing blockages or unclogging chute,
 - before checking, cleaning or working on the mower,
 - after striking a foreign object. Inspect the mower for damage and make repairs before restarting and operating the mower,
 - whenever the mower starts vibrating abnormally.
 3. **Never operate the mower with defective guards or shields, or without safety devices, for example deflectors and/or grass basket, in place.**
 4. **Avoid using the mower in bad weather conditions especially when there is a risk of lightning.**
 5. **Wear eye protection and stout shoes at all times while operating the mower.**
 6. **Operate the mower only in daylight or in good artificial light.**
 7. **Switch on the mower carefully according to instructions and with feet well away from the blade(s).**
 8. **Take care against injury to feet and hands from the mower blades.**
 9. **Always ensure that the ventilation openings are kept clear of debris.**
 10. **Mow across the face of slopes, never up and down. Exercise extreme caution when changing direction on slopes. Do not mow excessively steep slopes.**
 11. **Use extreme caution when reversing or pulling the mower towards you.**
 12. **Stop the blade(s) if the mower has to be tilted for transportation when crossing surfaces other than grass, and when transporting the mower to and from the area to be used.**
 13. **Do not tilt the mower when switching on the motor, except if the mower has to be tilted for starting. In this case, do not tilt it more than absolutely necessary and lift only the part, which is away from the operator. Always ensure that both hands are in the operating position before returning the mower to the ground.**
 14. **Do not put hands or feet near or under rotating parts. Keep clear of the discharge opening at all times.**
 15. **Do not transport the mower while the mower is turned on.**
 16. **Avoid operating the mower in wet grass.**
 17. **Never operate the mower in the rain.**
 18. **Always keep a firm hold on the handle.**
 19. **Don't grasp the exposed cutting blades or cutting edges when picking up or holding the mower.**
 20. **Keep hands and feet away from rotating blades. Caution - Blades coast after the mower is switched off.**
 21. **Stop operation immediately if you notice anything unusual. Switch off the mower and remove the lock key. Then inspect the mower.**
 22. **Never attempt to make cutting height adjustments while mower is running if the mower has cutting height adjustment feature.**
 23. **Release switch lever and wait for blade rotation to stop before crossing driveways, walks, roads, and any gravel-covered areas. Also remove the lock key if you leave the mower, reach to pick up or remove something out of your way, or for any other reason that may distract you from what you are doing.**
 24. **If the mower strikes a foreign object, follow these steps:**
 - Stop the mower, release the switch lever and wait until the blade comes to a complete stop.
 - Remove the lock key and the battery cartridge.
 - Thoroughly inspect the mower for any damage.
 - Replace the blade if it is damaged in any way. Repair any damage before restarting and continuing to operate the mower.
 25. **Do not start the mower when standing in front of the discharge opening.**
 26. **If the mower starts to vibrate abnormally (check immediately)**
 - inspect for damage,
 - replace or repair any damaged parts,
 - check for and tighten any loose parts.
 27. **Never direct discharged material toward anyone. Avoid discharging material against a wall or obstruction. Material may ricochet back toward the operator. Stop the blade when crossing gravel surfaces.**
 28. **Do not pull the mower backwards unless absolutely necessary. When you are compelled to back the mower from a fence or other similar obstruction, look down and behind before and while moving backwards.**
 29. **Shut the motor off and wait until the blade comes to a complete stop before removing the grass catcher. Beware that the blades coast after turn off.**
- Maintenance and storage**
1. **Replace worn or damaged parts for safety. Use only genuine replacement parts and accessories.**
 2. **Inspect and maintain the mower regularly.**
 3. **When not in use, store the mower out of the reach of children.**
 4. **Keep all nuts, bolts, and screws tight to be sure the equipment is in safe working condition.**
 5. **Check the grass basket frequently for wear or deterioration. For storage, always make sure the grass basket is empty. Replace a worn grass basket with a new factory replacement for safety.**
 6. **Use only the manufacturer genuine blades specified in this manual.**
 7. **Be careful during adjustment of the mower to prevent entrapment of the fingers between moving blades and fixed parts of the mower.**
 8. **Do not wash with a hose; avoid getting water in motor and electrical connections.**

9. Check the blade mounting bolt at frequent intervals for proper tightness.
10. Always allow the mower to cool down before storing.
11. When servicing the blades be aware that, even though the power source is switched off, the blades can still be moved.
12. Never remove or tamper with safety devices. Check their proper operation regularly. Never do anything to interfere with the intended function of a safety device or to reduce the protection provided by a safety device.

Battery tool use and care

1. Recharge only with the charger specified by the manufacturer. A charger that is suitable for one type of battery pack may create a risk of fire when used with another battery pack.
2. Use power tools only with specifically designated battery packs. Use of any other battery packs may create a risk of injury and fire.
3. When battery pack is not in use, keep it away from other metal objects, like paper clips, coins, keys, nails, screws or other small metal objects, that can make a connection from one terminal to another. Shorting the battery terminals together may cause burns or a fire.
4. Under abusive conditions, liquid may be ejected from the battery; avoid contact. If contact accidentally occurs, flush with water. If liquid contacts eyes, additionally seek medical help. Liquid ejected from the battery may cause irritation or burns.
5. Do not use a battery pack or tool that is damaged or modified. Damaged or modified batteries may exhibit unpredictable behaviour resulting in fire, explosion or risk of injury.
6. Do not expose a battery pack or tool to fire or excessive temperature. Exposure to fire or temperature above 130 °C may cause explosion.
7. Follow all charging instructions and do not charge the battery pack or tool outside the temperature range specified in the instructions. Charging improperly or at temperatures outside the specified range may damage the battery and increase the risk of fire.

Electrical and battery safety

1. Do not dispose of the battery(ies) in a fire. The cell may explode. Check with local codes for possible special disposal instructions.
2. Do not open or mutilate the battery(ies). Released electrolyte is corrosive and may cause damage to the eyes or skin. It may be toxic if swallowed.
3. Do not charge battery in rain, or in wet locations.
4. Do not charge the battery outdoors.
5. Do not handle charger, including charger plug, and charger terminals with wet hands.

Service

1. Have your power tool serviced by a qualified repair person using only identical replacement parts. This will ensure that the safety of the power tool is maintained.

2. Never service damaged battery packs. Service of battery packs should only be performed by the manufacturer or authorized service providers.

SAVE THESE INSTRUCTIONS.

⚠WARNING: DO NOT let comfort or familiarity with product (gained from repeated use) replace strict adherence to safety rules for the subject product.

MISUSE or failure to follow the safety rules stated in this instruction manual may cause serious personal injury.

Important safety instructions for battery cartridge

1. Before using battery cartridge, read all instructions and cautionary markings on (1) battery charger, (2) battery, and (3) product using battery.
2. Do not disassemble battery cartridge.
3. If operating time has become excessively shorter, stop operating immediately. It may result in a risk of overheating, possible burns and even an explosion.
4. If electrolyte gets into your eyes, rinse them out with clear water and seek medical attention right away. It may result in loss of your eyesight.
5. Do not short the battery cartridge:
 - (1) Do not touch the terminals with any conductive material.
 - (2) Avoid storing battery cartridge in a container with other metal objects such as nails, coins, etc.
 - (3) Do not expose battery cartridge to water or rain.

A battery short can cause a large current flow, overheating, possible burns and even a breakdown.

6. Do not store the tool and battery cartridge in locations where the temperature may reach or exceed 50 °C (122 °F).
7. Do not incinerate the battery cartridge even if it is severely damaged or is completely worn out. The battery cartridge can explode in a fire.
8. Be careful not to drop or strike battery.
9. Do not use a damaged battery.
10. The contained lithium-ion batteries are subject to the Dangerous Goods Legislation requirements. For commercial transports e.g. by third parties, forwarding agents, special requirement on packaging and labeling must be observed. For preparation of the item being shipped, consulting an expert for hazardous material is required. Please also observe possibly more detailed national regulations. Tape or mask off open contacts and pack up the battery in such a manner that it cannot move around in the packaging.
11. When disposing the battery cartridge, remove it from the tool and dispose of it in a safe place. Follow your local regulations relating to disposal of battery.

12. Use the batteries only with the products specified by Makita. Installing the batteries to non-compliant products may result in a fire, excessive heat, explosion, or leak of electrolyte.
13. If the tool is not used for a long period of time, the battery must be removed from the tool.

SAVE THESE INSTRUCTIONS.

⚠ CAUTION: Only use genuine Makita batteries. Use of non-genuine Makita batteries, or batteries that have been altered, may result in the battery bursting causing fires, personal injury and damage. It will also void the Makita warranty for the Makita tool and charger.

Tips for maintaining maximum battery life

1. Charge the battery cartridge before completely discharged. Always stop tool operation and charge the battery cartridge when you notice less tool power.
2. Never recharge a fully charged battery cartridge. Overcharging shortens the battery service life.
3. Charge the battery cartridge with room temperature at 10 °C - 40 °C (50 °F - 104 °F). Let a hot battery cartridge cool down before charging it.
4. Charge the battery cartridge if you do not use it for a long period (more than six months).

ASSEMBLY

⚠ WARNING: Always be sure that the lock key and battery cartridge are removed before carrying out any work on the mower. Failure to remove the lock key and the battery cartridge may result in serious personal injury from accidental start-up.

⚠ WARNING: Never start the mower unless it is completely assembled. Operation of the machine in a partially assembled state may result in serious personal injury from accidental start-up.

Installing the battery cover

⚠ WARNING: Do not insert the lock key and battery cartridge before installing the battery cover. Failure to do so may cause a serious injury.

Install the battery cover completely before the operation. The battery cover protects the mower and battery cartridge from mud, dirt, and water.

1. Place the battery cover with the protrusions on the mower aligned with the holes on the battery cover.
 - ▶ Fig.1: 1. Protrusion 2. Hole 3. Battery cover
2. Place your hands in the middle of the battery cover and push it.
 - ▶ Fig.2
3. Before the first operation, check that the pivot point of the battery cover is attached properly. If the battery cover is installed correctly, it will not open until the battery cover locking lever is pulled.
 - ▶ Fig.3: 1. Pivot point 2. Battery cover locking lever

Installing the handle

NOTICE: When installing handles, position the cords so that they are not caught by anything between the handles. If the cord is damaged, the mower switch may not work.

1. Slide the both ends of lower handle into the grooves of the mower then fully tighten the clamping screws.
 - ▶ Fig.4: 1. Clamping screw 2. Lower handle
2. Align the screw holes of upper handle and lower handle. Secure them with the clamping screws and nuts.
 - ▶ Fig.5: 1. Clamping nut 2. Clamping screw

NOTE: Hold the upper handle firmly so that it does not drop off your hand.

3. Attach the holders to the handle. Position the power supply cord as shown in the figure.
 - ▶ Fig.6: 1. Holder

Removing the mulching plug

Optional accessory

1. Open the rear cover.
 - ▶ Fig.7: 1. Rear cover
2. Hold the mulching plug by the handle, and then pull it out from the mower body as shown in the figure.
 - ▶ Fig.8: 1. Mulching plug 2. Handle

Installing the grass basket

1. Open the rear cover.
 - ▶ Fig.9: 1. Rear cover
2. Hook the grass basket on the rod of the mower body as shown in the figure.
 - ▶ Fig.10: 1. Hook 2. Rod 3. Grass basket

Attaching the mulching plug

Optional accessory

1. Open the rear cover, and then remove the grass basket.
 - ▶ Fig.11: 1. Rear cover 2. Grass basket
2. Hold the mulching plug by the handle, and then attach it to the mower body as shown in the figure.
 - ▶ Fig.12: 1. Mulching plug 2. Handle

FUNCTIONAL DESCRIPTION

Installing or removing battery cartridge

⚠ CAUTION: Always switch off the machine before installing or removing of the battery cartridge.

⚠ CAUTION: Make sure that you lock the battery cover before use. Otherwise, mud, dirt, or water may cause damage to the product or the battery cartridge.

⚠ CAUTION: Always install the battery cartridge fully until the red indicator cannot be seen. If not, it may accidentally fall out of the machine, causing injury to you or someone around you.

⚠ CAUTION: Do not install the battery cartridge forcibly. If the cartridge does not slide in easily, it is not being inserted correctly.

NOTE: The machine does not work with only one battery cartridge.

To install the battery cartridge;

1. Slide the battery cover locking lever and open the battery cover.

▶ Fig.13: 1. Battery cover 2. Battery cover locking lever

2. Align the tongue on the battery cartridge with the slot on the mower then slide the cartridge until it locks in place with a little click.

▶ Fig.14: 1. Battery cartridge

3. Insert the lock key in the place shown in the figure as far as it will go.

▶ Fig.15: 1. Lock key

4. Close the battery cover and push it until it is latched with the locking lever.

To remove the battery cartridge from the mower;

1. Slide the battery cover locking lever and open the battery cover.

2. Pull out the battery cartridge from the mower while sliding the button on the front of the cartridge.

3. Pull out the lock key.

4. Close the battery cover.

Machine / battery protection system

The machine is equipped with a machine/battery protection system. This system automatically cuts off power to the motor to extend tool and battery life. The machine will automatically stop during operation if the machine or battery is placed under one of the following conditions.

Overload protection

When the machine is operated in a manner that causes it to draw an abnormally high current, the machine automatically stops without any indication. In this situation, turn the machine off and stop the application that caused the machine to become overloaded. Then turn the machine on to restart.

Overheat protection

When the machine is overheated, the machine stops automatically. Let the machine cool down before turning the machine on again.

Overdischarge protection

When the battery capacity becomes low, the machine stops automatically. If the product does not operate even when the switches are operated, remove the batteries from the machine and charge the batteries.

Indicating the remaining battery capacity

▶ Fig.16: 1. Battery indicator


















When the remaining battery capacity gets low, the battery indicator blinks on the applicable battery side. By further use, the machine stops and the battery indicator lights up about 10 seconds. In this situation, charge the battery cartridge.

Indicating the remaining battery capacity

Only for battery cartridges with the indicator

▶ Fig.17: 1. Indicator lamps 2. Check button

Press the check button on the battery cartridge to indicate the remaining battery capacity. The indicator lamps light up for a few seconds.

Indicator lamps			Remaining capacity
 Lighted	 Off	 Blinking	
			75% to 100%
			50% to 75%
			25% to 50%
			0% to 25%
			Charge the battery.
			The battery may have malfunctioned.
			

NOTE: Depending on the conditions of use and the ambient temperature, the indication may differ slightly from the actual capacity.

Switch action

⚠ WARNING: Before installing the battery cartridge, always check to see that the switch lever actuates properly and returns to the original position when released. Operating a machine with a switch that does not actuate properly can lead to loss of control and serious personal injury.

NOTE: The mower does not start without pressing the switch button even the switch lever is pulled.

NOTE: Mower may not start due to the overload when you try to mow long or dense grass at a time. Increase the mowing height in this case.

This mower is equipped with the interlock switch and handle switch. If you notice anything unusual with either of these switches, stop operation immediately and have them checked by your nearest Makita Authorized Service Center.

1. Install the battery cartridges. Insert the lock key into the interlock switch and then close the battery cover.

► **Fig.18:** 1. Battery cartridge 2. Lock key

2. Press the switch button and hold it.

3. Grab the upper handle and pull the switch lever.

► **Fig.19:** 1. Switch button 2. Switch lever

4. Release the switch button as soon as the motor starts running. The mower will continue to run until you release the switch lever.

5. Release the switch lever to stop the motor.

Adjusting the mowing height

⚠ WARNING: Never put your hand or leg under the mower body when adjusting the mowing height.

⚠ WARNING: Always make sure that the lever fits in the groove properly before operation.

The mowing height can be adjusted in the range of between 20 mm and 75 mm.

1. Remove the lock key.

2. Pull the mowing height adjusting lever to the outward of the mower body and move it to your desired mowing height.

► **Fig.20:** 1. Mowing height adjusting lever

NOTE: The mowing height figures should be used just as a guideline. Depending on the conditions of the lawn or the ground, the actual lawn height may become slightly different from the set height.

NOTE: Try a test mowing of grass in a less conspicuous place to get your desired height.

Grass level indicator

► **Fig.21:** 1. Grass level indicator

Grass level indicator shows the volume of mowed grass.

- When the grass basket is not full, the indicator floats during mowing.
- When the grass basket is full, the indicator does not float during mowing. In this case, stop mowing immediately and empty the basket. After emptying the basket, clean it so that its meshwork vents the air.

NOTE: This indicator is a rough guide. Depending on the conditions of inside of the basket, this indicator may not work properly.

Using mulching plug

Optional accessory

The mulching plug allows you to return the cut grass to the ground without gathering the cut grass in the grass basket. When you operate the machine with the mulching plug, be sure to remove the grass basket.

NOTICE: When using the machine with the mulching plug, make sure that the total length of grass is 30 mm or more, or the cut length is 15 mm or less.

► **Fig.22:** (1) 30 mm or more (2) 15 mm or less

OPERATION

Mowing

⚠ WARNING: Before mowing, clear away sticks and stones from mowing area. Furthermore, clear away any weeds from mowing area in advance.

⚠ WARNING: Always wear the safety goggles or safety glasses with side shields when operating the mower.

⚠ CAUTION: If the cut grass or foreign object blocks up inside of the mower body, be sure to remove the lock key and battery cartridge and wear gloves before removing the grass or foreign object.

NOTICE: Use this machine for mowing lawn only. Do not mow weeds with this machine.

► **Fig.23**

Firmly hold the handle with both hands when mowing.

The mowing speed guideline is approximately 1 meter per 4 seconds.

► **Fig.24**

The outside edges of the front wheels are guidelines to mowing width. Using the outside edges of the front wheels as guidelines, mow in strips. Overlap by one half to one third the previous strip to mow the lawn evenly.

► **Fig.25:** 1. Mowing width 2. Overlapping area
3. Outside edge

Change the mowing direction each time to prevent the grass grain pattern from forming in just one direction.

► **Fig.26**

Periodically check the grass basket for mowed grass. Empty the grass before it becomes full. Before every periodical check, be sure to stop the mower then remove the lock key and the battery cartridge.

NOTICE: Using the mower with the grass basket full prevents smooth blade rotation and places an extra load on the motor, which may cause breakdown.

Mowing a long-grass lawn

Do not try to cut long grass all in one go. Instead, mow the lawn in some steps. Leave a day or two between mows until the lawn becomes evenly short.

NOTE: Mowing long grass to a short length all in one go may cause the grass to die. The cut grass may also block up inside of the mower body.

Emptying the grass basket

WARNING: To reduce a risk of accident, regularly check the grass basket for any damage or weakened strength. Replace the grass basket if necessary.

1. Release the switch lever.
2. Remove the lock key.
3. Open the rear cover and take out the grass basket by holding the handle.
▶ **Fig.27:** 1. Rear cover 2. Handle
4. Empty the grass basket.

MAINTENANCE

WARNING: Always be sure that the lock key and battery cartridge are removed from the mower before storing or carrying the mower or attempting to perform inspection or maintenance.

WARNING: Always remove the lock key when the mower is not in use. Store the lock key in a safe place out of reach of children.

WARNING: Wear gloves when performing inspection or maintenance.

WARNING: Always wear the safety goggles or safety glasses with side shields when performing inspection or maintenance.

NOTICE: Never use gasoline, benzine, thinner, alcohol or the like. Discoloration, deformation or cracks may result.

To maintain product SAFETY and RELIABILITY, repairs, any other maintenance or adjustment should be performed by Makita Authorized or Factory Service Centers, always using Makita replacement parts.

Maintenance

1. Remove the lock key. Store it in a safe place out of the reach of children.
2. Clean the mower using only a wet cloth. Do not spray or pour water on the mower when cleaning.
3. Put the mower on its side and clean grass clippings accumulated on the underside of mower deck.
4. Check all nuts, bolts, knobs, screws, fasteners etc. for tightness.
5. Inspect moving parts for damage, breakage, and wear. Damaged or missing parts should be repaired or replaced.

Storage

WARNING: When carrying or storing the mower, do not hold the folded handles but the front grip of the mower. Holding the folded handles may cause a serious injury or damage to the mower.

Before storing the mower, remove the battery cartridge and lock key.

Store mower indoors in a cool, dry and locked place. Don't store the mower and charger in locations where the temperature may reach or exceed 40 °C.

▶ **Fig.28:** 1. Front grip 2. Rear grip

1. Loosen the clamping screws and expand the lower handle to both sides. Move down the handle forward. At this time, keep a firm grip on the lower handle so that the handle does not fall down to the far side from the mower body.

▶ **Fig.29:** 1. Clamping screw 2. Lower handle

2. Loosen the clamping nuts and pivot the upper handle back while expanding the both sides.

▶ **Fig.30:** 1. Clamping nut 2. Upper handle

3. Store the grass basket between the handle and the mower body.

▶ **Fig.31:** 1. Grass basket

NOTE: When putting the mower in the upright position, do not hold the handle but use the front grip of the mower.

Removing or installing the mower blade

WARNING: Always remove the lock key and battery cartridge when removing or installing the blade. Failure to remove the lock key and battery cartridge may cause a serious injury.

WARNING: The blade coasts for a few seconds after releasing the switch. Do not start any operation until the blade comes to a complete stop.

WARNING: Always wear gloves when handling the blade.

Removing the mower blade

For DLM382

1. Put the mower on its side so that the mowing height adjusting lever comes to the upper side.
2. To lock the blade rotation, insert a screwdriver or a similar tool into a hole on the mower body.
3. Turn the bolt counterclockwise with the wrench.
▶ **Fig.32:** 1. Mower blade 2. Screwdriver 3. Wrench
4. Remove the bolt and blade in order.
▶ **Fig.33:** 1. Blade support 2. Mower blade 3. Bolt

For DLM432

- Put the mower on its side so that the mowing height adjusting lever comes to the upper side.
- To lock the blade rotation, insert a screwdriver or a similar tool into a hole on the mower body.
- Turn the bolt counterclockwise with the wrench.
▶ **Fig.34:** 1. Mower blade 2. Screwdriver 3. Wrench
- Remove the bolt, outer flange, mower blade, and inner flange in order.
▶ **Fig.35:** 1. Inner flange 2. Mower blade 3. Outer flange 4. Bolt

Installing the mower blade

To install the mower blade, take the removal procedure in reverse.

⚠ WARNING: Install the mower blade carefully. It has a top/bottom facing. Place the blade so that the rotational direction arrow faces outward.

⚠ WARNING: Tighten the bolt clockwise firmly to secure the blade.

⚠ WARNING: Make sure that the mower blade and all the fixing parts are installed correctly and tightened securely.

⚠ WARNING: When you replace the blades, always follow the instructions provided in this manual.

TROUBLESHOOTING

Before asking for repairs, conduct your own inspection first. If you find a problem that is not explained in the manual, do not attempt to dismantle the tool. Instead, ask Makita Authorized Service Centers, always using Makita replacement parts for repairs.

State of abnormality	Probable cause (malfunction)	Remedy
Mower does not start.	Two battery cartridges are not installed.	Install the charged battery cartridges.
	Battery problem (under voltage)	Recharge the battery cartridge. If recharging is not effective, replace battery cartridge.
	The lock key is not inserted.	Insert the lock key.
Motor stops running after a little use.	Battery's charge level is low.	Recharge the battery cartridge. If recharging is not effective, replace battery cartridge.
	Cutting height is too low.	Increase the cutting height.
Motor does not reach maximum RPM.	Battery cartridge is installed improperly.	Install the battery cartridge as described in this manual.
	Battery power is dropping.	Recharge the battery cartridge. If recharging is not effective, replace battery cartridge.
	The drive system does not work correctly.	Ask your local authorized service center for repair.
Mower blade does not rotate: ⇒ stop the mower immediately!	Foreign object such as a branch is jammed near the blade.	Remove the foreign object.
	The drive system does not work correctly.	Ask your local authorized service center for repair.
Abnormal vibration: ⇒ stop the mower immediately!	Blade is imbalanced, excessively or unevenly worn.	Replace the blade.

OPTIONAL ACCESSORIES

⚠ CAUTION: These accessories or attachments are recommended for use with your Makita tool specified in this manual. The use of any other accessories or attachments might present a risk of injury to persons. Only use accessory or attachment for its stated purpose.

- Mower blade
- Mulching plug
- Makita genuine battery and charger

NOTE: Some items in the list may be included in the tool package as standard accessories. They may differ from country to country.

If you need any assistance for more details regarding these accessories, ask your local Makita Service Center.

TEHNIČNI PODATKI

Model:		DLM382	DLM432
Širina košnje (premer rezila)		380 mm	430 mm
Hitrost brez obremenitve		3.700 min ⁻¹	3.600 min ⁻¹
Številka dela nadomestnega rezila kosilnice		191D41-2	191D43-8
Mere (D x Š x V)	v času uporabe	D: 1.380 mm do 1.410 mm Š: 450 mm V: 985 mm do 1.005 mm	D: 1.435 mm do 1.490 mm Š: 460 mm V: 1.005 mm do 1.045 mm
	v času shranjevanja (brez koša za travo)	860 mm x 450 mm x 475 mm	865 mm x 460 mm x 475 mm
Nazivna napetost		D.C. 36 V	
Neto teža		16,2 – 16,9 kg	16,8 – 17,5 kg

- Ker nenehno opravljamo raziskave in razvijamo svoje izdelke, se lahko tehnični podatki in tem dokumentu spremenijo brez obvestila.
- Tehnični podatki se lahko razlikujejo od države do države.
- Teža se lahko razlikuje glede na priključke, vključno z akumulatorsko baterijo. Najlažja in najtežja kombinacija v skladu s postopkom EPTA 01/2014 sta prikazani v preglednici.

Uporabna akumulatorska baterija

BL1815N / BL1820 / BL1820B / BL1830 / BL1830B / BL1840 / BL1840B / BL1850 / BL1850B / BL1860B

- Nekatere zgoraj navedene akumulatorske baterije morda v vaši državi prebivališča niso na voljo.

⚠ OPOZORILO: Uporabljajte le zgoraj navedene akumulatorske baterije. Uporaba drugih akumulatorskih baterij lahko povzroči telesne poškodbe in/ali požar.

Simboli

Naslednji simboli se uporabljajo v povezavi s strojem. Pred uporabo izdelka se obvezno seznanite z njihovim pomenom.

	Potrebna je posebna pozornost in previdnost.
	Preberite navodila za uporabo.
	Nevarnost; pazite se letečih predmetov.
	Razdalja med orodjem in osebami v bližini mora biti najmanj 15 m.
	Nikoli ne približujte rok in nog rezilu pod kosilnico. Ko izkličite motor, se rezila še vedno vrtijo.
	Pred pregledovanjem, prilagajanjem, čiščenjem, servisiranjem, puščanjem in shranjevanjem kosilnice vedno odstranite ključ za zaklep.
	Samo za države EU Ne zavrzite izrabljene električne opreme ali akumulatorskega sklopa med gospodinske odpadke! V skladu z Evropskimi direktivami o odpadni električni in elektronski opremi, baterijah in akumulatorjih, odpadnih baterijah in akumulatorjih ter upoštevanjem njihovih določil v skladu z državno zakonodajo je treba električno opremo, baterije in akumulatorje, katerih življenjski cikel je pretekel, zbirati ločeno in jih dostaviti v ustrezen obrat za recikliranje, ki deluje skladno z okoljevarstvenimi zahtevami.

Predvidena uporaba

Stroj je namenjen košnji trave.

Hrup

Običajna A-ovrednotena raven hrupa v skladu z EN60335-2-77:

Model DLM382

Raven zvočnega tlaka (L_{pA}): 81 dB (A)

Raven zvočne moči (L_{WA}): 91 dB (A)

Odstopanje (K): 3 dB (A)

Model DLM432

Raven zvočnega tlaka (L_{pA}): 81 dB (A)

Raven zvočne moči (L_{WA}): 92 dB (A)

Odstopanje (K): 3 dB (A)

OPOMBA: Navedene vrednosti oddajanja hrupa so bile izmerjene v skladu s standardnimi metodami testiranja in se lahko uporabljajo za primerjavo orodij.

OPOMBA: Navedene vrednosti oddajanja hrupa se lahko uporabljajo tudi pri predhodni oceni izpostavljenosti.

⚠ OPOZORILO: Uporabljajte zaščito za sluh.

⚠ OPOZORILO: Oddajanje hrupa med dejansko uporabo električnega orodja se lahko razlikuje od navedenih vrednosti, odvisno od načina uporabe orodja in predvsem vrste obdelovanca.

⚠ OPOZORILO: Upravljevec mora za lastno zaščito poznati varnostne ukrepe, ki temeljijo na oceni izpostavljenosti v dejanskih pogojih uporabe (poleg časa proženja je treba upoštevati celoten delovni cikel, vključno s časom, ko je orodje izklopljeno, in časom, ko deluje v prostem teku).

Vibracije

Skupne vrednosti vibracij (vektorska vsota treh osi) v skladu z EN60335-2-77:

Model DLM382

Emisije vibracij (a_{11}): 2,5 m/s² ali manj
Odstopanje (K): 2,0 m/s²

Model DLM432

Emisije vibracij (a_{11}): 2,5 m/s² ali manj
Odstopanje (K): 1,5 m/s²

OPOMBA: Navedene skupne vrednosti oddajanja vibracij so bile izmerjene v skladu s standardnimi metodami testiranja in se lahko uporabljajo za primerjavo orodij.

OPOMBA: Navedene skupne vrednosti oddajanja vibracij se lahko uporabljajo tudi pri predhodni oceni izpostavljenosti.

⚠ OPOZORILO: Oddajanje vibracij med dejansko uporabo električnega orodja se lahko razlikuje od navedenih vrednosti, odvisno od načina uporabe orodja in predvsem vrste obdelovanca.

⚠ OPOZORILO: Upravljalavec mora za lastno zaščito poznati varnostne ukrepe, ki temeljijo na oceni izpostavljenosti v dejanskih pogojih uporabe (poleg časa proženja je treba upoštevati celoten delovni cikel, vključno s časom, ko je orodje izklopljeno, in časom, ko deluje v prostem teku).

Izjava o skladnosti ES

Samo za evropske države

Izjava ES o skladnosti je vključena v dodatku A, ki je priložen tem navodilom za uporabo.

VARNOSTNA OPOZORILA

POMEMBNA VARNOSTNA NAVODILA

⚠ OPOZORILO: Preberite vsa varnostna opozorila in navodila. Neupoštevanje opozoril in navodil lahko privede do električnega udara, požara in/ali resnih telesnih poškodb.

Shranite vsa opozorila in navodila za poznejšo uporabo.

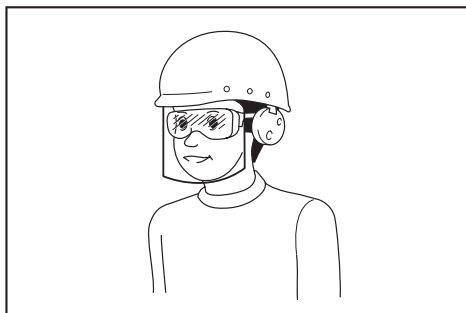
Usposabljanje

1. Pozorno preberite navodila. Seznanite se s funkcijami za upravljanje in pravilno uporabo kosilnice.
2. Nikoli ne dovolite uporabe kosilnice otrokom ali osebam, ki niso seznanjene z navodili. Lokalni predpisi lahko omejijo starost uporabnika naprave.
3. Nikoli ne uporabljajte kosilnice v bližini ljudi, zlasti otrok ali hišnih ljubljencev.
4. Upoštevajte, da je upravljalavec ali uporabnik odgovoren za nesreče ali nevarnosti, ki se zgodijo drugim ljudem ali njihovi lastnini.
5. Zagotovite ustrezen nadzor otrok in preprečite igranje s kosilnico.

6. Fizično stanje – ne uporabljajte kosilnice, kadar ste pod vplivom drog, alkohola ali kakršnih koli zdravil.

Priprava

1. Med delom s kosilnico vedno nosite ustrezno obutev in dolge hlače. Kosilnice ne uporabljajte, ko ste bos ali nosite odprte sandale. Ne nosite oblačil ali nakita, ki so ohlapna ali imajo viseče vrvice ali pentlje. Lahko se zataknejo v gibljive dele.
2. Preden začnete uporabljati kosilnico, preverite, da ni poškodovana in ji ne manjkajo nobena varovala in ščitniki oz. so ti ustrezno nameščeni.
3. Pred košnjo se prepričajte, da v območju košnje ni drugih oseb. Če kdor koli vstopi v območje, ustavite kosilnico.
4. Ne vstavljajte ključa za zaklep v kosilnico, dokler ni pripravljena za uporabo.
5. Pri uporabi električnih orodij vedno nosite zaščitna očala, da preprečite poškodbe oči. Očala morajo ustrezati standardu ANSI Z87.1 v ZDA, EN 166 v Evropi ali AS/NZS 1336 v Avstraliji/Novi Zelandiji. V Avstraliji/Novi Zelandiji je zakonsko zahtevano tudi nošenje obrazne zaščite.



Delodajalec mora zagotoviti, da upravljalci orodja in druge osebe v neposrednem delovnem območju uporabljajo ustrezno zaščitno opremo.

6. Pred uporabo skrbno preverite rezila ali vijake rezil glede obrabe, razpok ali poškodb. Takoj zamenjajte počena ali poškodovana rezila ali vijake rezil.
7. Pred košnjo iz delovnega območja odstranite tujke, kot so kamni, žice, steklenice, kosti in velike palice, da preprečite telesne poškodbe ali poškodbe kosilnice.
8. Predmeti, ob katere zadene rezilo, lahko povzročijo hude telesne poškodbe oseb. Pred vsako košnjo je treba trato vedno skrbno pregledati in z nje odstraniti vse predmete.
9. Osredotočite se na luknje, praske, vdolbine, kamne ali druge skrite predmete. Delo na neravnem terenu lahko povzroči drsenje in padec. Visoka trava lahko prikrije ovire.

Uporaba

1. Ne segajte predaleč. Vselej pazite na to, da ohranite ravnotežje. Pri hoji po pobočjih bodite vedno previdni. Hodite, ne tecite.

2. Izklopite kosilnico, odstranite ključ za zaklep in se prepričajte, da so vsi premični deli popolnoma pri miru:
 - kadar pustite kosilnico nenadzorovano,
 - preden odpravite ovire ali očistite korito,
 - pred pregledom, čiščenjem ali delom na kosilnici,
 - po trku s tujkom. Preden ponovno zaženete in uporabite kosilnico, jo preglejte, da ni poškodovana, in jo popravite,
 - kadar kosilnica začne neobičajno vibrirati.
 3. Ne uporabljajte kosilnice z okvarjenimi varovalni ali ščitniki ali brez varnostnih naprav, npr. deflektorjev, in/fali nameščenega koša za travo.
 4. Kosilnice ne uporabljajte ob slabem vremenu, še posebej, kadar bliska.
 5. Med uporabo kosilnice vedno nosite zaščito za oči in robustne čevlje.
 6. Kosilnico upravljajte samo podnevi ali ob dobri umetni svetlobi.
 7. Zaženite kosilnico v skladu z navodili in bodite pozorni, da so vaše noge in roke dovolj oddaljene od rezil/-a.
 8. Bodite previdni, da si z rezili kosilnice ne poškodujete stopal in dlani.
 9. Poskrbite, da v odprtinah za prezračevanje nikoli ni smeti.
 10. Kosite prečno po pobočju, nikoli gor in dol. Kadar na pobočjih menjujete smer, bodite izjemno previdni. Ne kosite pri izredno nagnjenih pobočjih.
 11. Bodite izjemno previdni, ko premikate kosilnico vzvratno ali jo vlečete proti sebi.
 12. Ustavite rezilo/-a, če morate kosilnico nagniti, kadar se pomikate po netravnatih površinah in kadar kosilnico prenašate do območja, ki ga želite pokositi, ali z njega.
 13. Med zagonom motorja ne nagibajte kosilnice, razen če je to potrebno. V tem primeru kosilnice ne nagibajte več, kot je potrebno, in dvignite samo tisti del, ki je obrnjen stran od upravljalca. Preden postavite kosilnico na tla, se vedno prepričajte, da sta obe roki v delovnem položaju.
 14. Ne segajte z rokami ali nogami pod vrteče se dele ali v njihovo bližino. Vedno bodite odmaknjeni od odprtine za izmet.
 15. Med prevozom kosilnica ne sme biti vključena.
 16. Ne uporabljajte kosilnice za košnjo mokre trave.
 17. Nikoli ne uporabljajte kosilnice v dežju.
 18. Vedno trdno držite ročaj.
 19. Kadar dvigujete ali držite kosilnico, ne prijemajte izpostavljenih rezil ali rezalnih robov.
 20. Ne približujte rok in nog vrtečim se rezilom. Previdno: rezila se po izklopu kosilnice prosto premikajo.
 21. Če opazite kaj neobičajnega, takoj prenehajte uporabljati kosilnico. Izklopite kosilnico in odstranite ključ za zaklep. Nato preglejte kosilnico.
 22. Če ima kosilnica funkcijo nastavitve višine za rezanje, nikoli ne poskušajte prilagajati višine za rezanje, ko je kosilnica vklopljena.
 23. Preden prečkate dovoze, pločnike, ceste in katere koli peščene površine, sprostite preklopno ročico in počakajte, da se rezilo ustavi. Ključ za zaklep odstranite tudi če pustite kosilnico, sežete, da bi pobrali ali odstranili nekaj s poti, ali iz katerega koli drugega razloga, ki bi vam lahko preusmeril pozornost.
 24. Če kosilnica zadene ob tujek, upoštevajte naslednja navodila:
 - Ustavite kosilnico, sprostite preklopno ročico in počakajte, da se rezilo popolnoma ustavi.
 - Odstranite ključ za zaklep in akumulatorsko baterijo.
 - Natančno preglejte kosilnico in preverite morebitne poškodbe.
 - Če je rezilo kakor koli poškodovano, ga zamenjajte. Pred ponovnim zagonom in nadaljnjo uporabo kosilnice popravite vse poškodbe.
 25. Ne zaganjajte kosilnice, kadar stojite pred odprtino za izmet.
 26. Če začne kosilnica neobičajno vibrirati (takoj preglejte):
 - preglejte glede poškodb,
 - zamenjajte ali popravite vse poškodovane dele,
 - preverite in pritrdite vse zrahljane dele.
 27. Ne usmerjajte izvrženega materiala v ljudi. Ne praznite materiala v steno ali drugo oviro. V tem primeru se lahko namreč odbije nazaj v upravljalca. Zaustavite rezilo, ko peljete čez pesek.
 28. Ne vlečite kosilnice vzvratno, če to ni res nujno. Ko morate kosilnico peljati vzvratno, da se izognete ograji ali podobni oviri, glejte na tla in za sabo pred vzvratnim pomikanjem in med njim.
 29. Izklopite motor in počakajte, da se rezilo zaustavi, preden odstranite lovnik trave. Bodite previdni, saj se rezila po izklopu še vedno nekaj časa vrtiljo.
- Vzdrževanje in shranjevanje**
1. Zaradi varnosti zamenjajte obrabljene ali poškodovane dele. Uporabljajte samo originalne nadomestne dele in pripomočke.
 2. Redno pregledujte in vzdržujte kosilnico.
 3. Kadar kosilnice ne uporabljate, jo hranite izven dosega otrok.
 4. Vse matice, čepi in vijaki naj bodo trdno priviti, da zagotovite varno delovanje naprave.
 5. Redno pregledujte koš za travo glede obrabljenosti ali okvar. Pri shranjevanju se vedno prepričajte, da je koš za travo prazen. Zaradi varnosti obrabljeni koš za travo zamenjajte z novim tovarniškim košem.
 6. Uporabljajte samo originalna proizvajalčeva rezila, opredeljena v tem priročniku.
 7. Med nastavljanjem kosilnice bodite previdni, da preprečite ujetje prstov med premikajoča se rezila in fiksne dele stroja.
 8. Ne spirajte kosilnice z vrtno cevjo; preprečite vdor vode v motor in električne priključke.
 9. Pogosto preverite, ali je vijak za pritrditev rezila ustrezno zategnjen.
 10. Pred shranjevanjem vedno počakajte, da se kosilnica ohladi.

11. Pri servisu rezil upoštevajte, da se lahko rezila še vedno premaknejo, čeprav je napajanje izključeno.
12. Ne odstranjujte ali spreminjajte varnostnih naprav. Redno preverjajte njihovo pravilno delovanje. Ne poskušajte spreminjati funkcije, za katero je namenjena varnostna naprava, ali vplivati na zaščito, ki jo ponuja.

Uporaba akumulatorskega orodja in ravnanje z njim

1. Orodje polnite samo s polnilnikom, ki ga je določil proizvajalec. Polnilnik, ki je primeren za eno vrsto akumulatorskih baterij, lahko pomeni nevarnost požara, če ga uporabljate z drugimi akumulatorskimi baterijami.
2. Električno orodje uporabljajte le s posebej označenimi akumulatorskimi baterijami. Uporaba drugih akumulatorskih baterij lahko pomeni nevarnost telesnih poškodb in požara.
3. Ko akumulatorske baterije ne uporabljate, je ne hranite ob kovinskih predmetih, kot so sponke za papir, kovanci, ključi, žebliji, vijaki ali drugi manjši kovinski predmeti, ki lahko povzročijo stik med priključkoma. Kratek stik akumulatorskih priključkov lahko povzroči opekline ali požar.
4. V neprimernih pogojih lahko iz akumulatorja uhaja tekočina; izogibajte se stiku. Če pride do nenamernega stika, sperite z vodo. Če pride tekočina v stik z očmi, takoj poiščite zdravniško pomoč. Tekočina iz akumulatorja lahko povzroči draženje ali opekline.
5. Ne uporabljajte akumulatorskega sklopa ali orodja, ki je poškodovano ali spremenjeno. Delovanje poškodovanih ali spremenjenih akumulatorjev je nepredvidljivo in lahko povzroči požar, eksplozijo ali telesne poškodbe.
6. Akumulatorskega sklopa in orodja ne izpostavljajte ognju ali previsoki temperaturi. Izpostavljenost ognju ali temperaturam nad 130 °C lahko povzroči eksplozijo.
7. Upoštevajte vsa navodila glede polnjenja in akumulatorskih baterij ali orodja ne polnite zunaj določenega temperaturnega obsega. Nepravilno polnjenje ali polnjenje pri temperaturah, ki so zunaj določenega obsega, lahko poškoduje akumulator in poveča nevarnost požara.

Električna zaščita in zaščita akumulatorja

1. Akumulatorja/-ev ni dovoljeno metati v ogenj. Celica lahko eksplodira. Preverite lokalne predpise glede morebitnih posebnih navodil za odstranjanje.
2. Ne odpirajte ali spreminjajte akumulatorja/-ev. Sproščeni elektrolit je koroziven in lahko povzroči poškodbe oči ali kože. Pri zaužitju je lahko strupen.
3. Akumulatorja ne polnite v dežju ali na mokrih mestih.
4. Akumulatorja ne polnite na prostem.
5. Ne dotikajte se polnilnika, vtiča polnilnika in priključkov polnilnika z mokrimi rokami.

Servis

1. Električno orodje lahko servisira samo usposobljen serviser, ki uporablja ustrezne nadomestne dele. Tako bo zagotovljena varnost električnega orodja.

2. Nikoli ne servisirajte poškodovanih akumulatorskih sklopov. Servis akumulatorskih sklopov lahko izvaja samo proizvajalec ali pooblaščen serviser.

SHRANITE TA NAVODILA.

⚠ OPOZORILO: NE dovolite, da bi zaradi udobnejšega dela ali znanja o uporabi izdelka (pridobljenega z večkratno uporabo) opustili strogo upoštevanje varnostnih zahtev v okviru pravilne uporabe orodja.

ZLORABA ali neupoštevanje varnostnih zahtev v teh navodilih za uporabo lahko povzroči resne telesne poškodbe.

Pomembna varnostna navodila za akumulatorsko baterijo

1. Pred uporabo baterijskega vložka preberite vsa navodila in opozorilne oznake na (1) polnilniku akumulatorja, (2) akumulatorju in (3) izdelku, ki uporablja akumulator.
2. Ne razstavljajte baterijskega vložka.
3. Če se je čas delovanja občutno skrajšal, takoj prenehajte uporabljati orodje. V nasprotnem primeru lahko pride do pregretja, morebitnih opeklin in celo eksplozije.
4. Če pride elektrolit v stik z očmi, jih sperite s čisto vodo in takoj poiščite zdravniško pomoč. Posledica je lahko izguba vida.
5. Ne povzročite kratkega stika baterijskega vložka:
 - (1) Ne dotikajte se priključkov s kakršnim koli prevodnim materialom.
 - (2) Izogibajte se shranjevanju baterijskega vložka v vsebniku z drugimi kovinskimi predmeti kot so žebliji, kovanci itn.
 - (3) Ne izpostavljajte baterijskega vložka vodi ali dežju.

Kratek stik akumulatorja lahko povzroči velik električni tok, pregrevanje, morebitne opekline in celo okvaro.

6. Ne shranjujte orodja in baterijskega vložka na mestih, kjer lahko temperatura doseže ali preseže 50 °C.
7. Ne sežigajte baterijskega vložka, tudi če je hudo poškodovan ali v celoti izpraznjen. Baterijski vložek lahko v ognju eksplodira.
8. Poskrbite, da akumulator ne bo izpostavljen padcem ali udarcem.
9. Ne uporabljajte poškodovanih akumulatorjev.
10. Priložene litij-ionske baterije ustrezajo zahtevam zakonodaje v zvezi z nevarnim blagom. Za komercialne prevoze, npr. tiste, ki jih opravljajo tretje stranke in carinski posredniki, je treba upoštevati posebne zahteve v zvezi z embalažo in označevanjem. Med postopkom priprave na odpremo izdelka se je treba posvetovati s strokovnjakom za nevarne snovi. Pri tem upoštevajte tudi podrobnejše nacionalne predpise. Odprte stike oblepite z lepilnim trakom ali jih drugače zaščitite, baterijo pa zapakirajte tako, da se v embalaži ne more premikati.

11. **Ko odstranjujete akumulatorsko baterijo, jo vzemite iz orodja in varno zavržite. Upošteвайте lokalne uredbe glede odlaganja baterije.**
12. **Baterije uporabljajte le z izdelki, ki jih določí Makita.** Če namestite baterije v neskladne izdelke, lahko pride do požara, pregrevanja, eksplozije ali puščanja elektrolita.
13. **Če orodja dlje časa ne uporabljate, morate iz njega odstraniti baterijo.**

SHRANITE TA NAVODILA.

⚠ POZOR: Uporabljajte le originalne baterije Makita. Če uporabljate neoriginalne baterije Makita ali baterije, ki so bile spremenjene, lahko pride do eksplozije baterije in posledično do požara, telesnih poškodb ali materialne škode. S takšno uporabo boste tudi razveljavili garancijo Makita za orodje in polnilnik Makita.

Nasveti za ohranjanje največje zmogljivosti akumulatorja

1. Napolnite baterijski vložek, preden se v celoti izprazni. Ko opazite, da ima orodje manjšo moč, vedno ustavite delovanje orodja in napolnite baterijski vložek.
2. Nikoli znova ne polnite popolnoma napolnjenega baterijskega vložka. Prenapolnjenje skrajša življenjsko dobo akumulatorja.
3. Baterijski vložek s sobno temperaturo polnite pri temperaturi okolja od 10 °C do 40 °C. Počakajte, da se vroč baterijski vložek pred polnjenjem ohladi.
4. Če baterijskega vložka ne uporabljate dalj časa (več kot 6 mesecev), ga napolnite.

MONTAŽA

⚠ OPOZORILO: Pred izvajanjem kakršnih koli opravil na kosilnici se prepričajte, da sta ključ za zaklep in akumulatorska baterija odstranjena. Če ne odstranite ključa za zaklep in akumulatorske baterije, lahko pride do hudih telesnih poškodb zaradi nenamerne zagona.

⚠ OPOZORILO: Ne zaženite kosilnice, če ni povsem sestavljena. Uporaba delno sestavljenega stroja lahko povzroči hude telesne poškodbe zaradi nenamerne zagona.

Nameščanje pokrova akumulatorja

⚠ OPOZORILO: Ne vstavljajte ključa za zaklep in akumulatorske baterije, preden ne namestite pokrova akumulatorja. V nasprotnem primeru lahko pride do hudih telesnih poškodb.

Pred uporabo kosilnice ustrezno namestite pokrov akumulatorja. Pokrov akumulatorja varuje kosilnico in akumulatorsko baterijo pred blatom, umazanijo in vodo.

1. Namestite pokrov akumulatorja tako, da poravnate odprtini z izboklinama na kosilnici.
 - ▶ SI.1: 1. Izboklina 2. Odprtina 3. Pokrov akumulatorja

2. Postavite roki na sredino pokrova akumulatorja in potisnite pokrov navzdol.

▶ SI.2

3. Pred prvo uporabo preverite, ali je točka vrtenja pokrova akumulatorja pravilno nameščena. Če je pokrov akumulatorja pravilno nameščen, se ne bo odprl, dokler ne povlečete ročice za zaklep pokrova akumulatorja.

▶ SI.3: 1. Točka vrtenja 2. Ročica za zaklep pokrova akumulatorja

Namestitev ročaja

OBVESTILO: Ko nameščate ročaja, nastavite kable tako, da se ne bodo ujeli mednju. Če je kabel poškodovan, stikalo kosilnice morda ne bo delovalo.

1. Potisnite oba konca spodnjega ročaja v utor na kosilnici in trdno zategnite vpenjalna vijaka.

▶ SI.4: 1. Vpenjalni vijak 2. Spodnji ročaj

2. Poravnajte vijačne odprtine zgornjega in spodnjega ročaja. Pritrdite ročaj z vpenjalnima vijakoma in maticama.

▶ SI.5: 1. Vpenjalna matica 2. Vpenjalni vijak

OPOMBA: Trdno držite zgornji ročaj, da vam ne pade iz rok.

3. Pritrdite držali na ročaj. Vpnite napajalni kabel, kot prikazuje slika.

▶ SI.6: 1. Držalo

Odstranjevanje nastavka za zastiranje

Dodatna oprema

1. Odprite zadnji pokrov.

▶ SI.7: 1. Zadnji pokrov

2. Držite ročaj nastavka za zastiranje in ga izvlecite iz ohišja kosilnice, kot je prikazano na sliki.

▶ SI.8: 1. Nastavek za zastiranje 2. Ročaj

Nameščanje koša za travo

1. Odprite zadnji pokrov.

▶ SI.9: 1. Zadnji pokrov

2. Zataknite koš za travo na drog na ohišju kosilnice, kot je prikazano na sliki.

▶ SI.10: 1. Kavelj 2. Drog 3. Koš za travo

Pritrjevanje nastavka za zastiranje

Dodatna oprema

1. Odprite zadnji pokrov in odstranite koš za travo.

▶ SI.11: 1. Zadnji pokrov 2. Koš za travo

2. Držite ročaj nastavka za zastiranje in ga pritrdite na ohišje kosilnice, kot je prikazano na sliki.

▶ SI.12: 1. Nastavek za zastiranje 2. Ročaj

OPIS DELOVANJA

Nameščanje ali odstranjevanje akumulatorske baterije

⚠️ POZOR: Pred nameščanjem ali odstranjevanjem akumulatorske baterije vedno izklopite stroj.

⚠️ POZOR: Pokrov akumulatorja morate pred uporabo zapreti. Sicer lahko blato, umazanija ali voda poškoduje izdelek ali akumulatorsko baterijo.

⚠️ POZOR: Vedno namestite akumulatorsko baterijo tako, da rdeči indikator ni več viden. Če tega ne upoštevate, lahko baterija nepričakovano pade iz stroja in poškoduje vas ali osebe v neposredni bližini.

⚠️ POZOR: Ne nameščajte akumulatorske baterije s silo. Če se akumulatorska baterija ne zaskoči zlahka, ni pravilno vstavljena.

OPOMBA: Stroj ne deluje samo z eno akumulatorsko baterijo.

Za namestitev akumulatorske baterije:

1. Sprostite ročico za zaklep pokrova akumulatorja in odprite pokrov akumulatorja.

▶ **SI.13:** 1. Pokrov akumulatorja 2. Ročica za zaklep pokrova akumulatorja

2. Poravnajte jeziček akumulatorske baterije z režo na kosilnici in nato namestite baterijo tako, da se sliši zaskoči na mestu.

▶ **SI.14:** 1. Akumulatorska baterija

3. Vstavite ključ za zaklep do omejila na mesto, prikazano na sliki.

▶ **SI.15:** 1. Ključ za zaklep

4. Zaprite pokrov akumulatorja in ga potisnite, da se ročica za zaklep zaskoči.

Za odstranjevanje akumulatorske baterije iz kosilnice:

1. Sprostite ročico za zaklep pokrova akumulatorja in odprite pokrov akumulatorja.

2. Izvlecite akumulatorsko baterijo iz kosilnice, pri tem pa pomikajte gumb na sprednji strani baterije.

3. Izvlecite ključ za zaklep.

4. Zaprite zaščitni pokrov akumulatorja.

Zaščitni sistem stroja/akumulatorja

Stroj je opremljen s sistemom za zaščito akumulatorja/stroja. Sistem samodejno prekine napajanje orodja, da podaljša življenjsko dobo orodja in akumulatorja. Stroj se samodejno zaustavi, če stroj ali akumulator delujeta pod naslednjimi pogoji.

Zaščita pred preobremenitvijo

Kadar stroj uporabljate na način, ki povzroča prekomerno porabo energije, se stroj samodejno ustavi brez kakršnih koli znakov. V tem primeru izklopite stroj in prekinite delo, ki je povzročilo njegovo preobremenitev. Nato vklopite stroj, da ga znova zaženete.

Zaščita pred pregrevanjem

Če se stroj pregreje, se samodejno zaustavi. Počakajte, da se stroj ohladi, preden ga znova vklopite.

Zaščita pred izpraznjenjem

Ko se zmogljivost baterije zmanjša, se stroj samodejno ustavi. Če izdelek ne deluje, tudi če so stikala vklopljena, odstranite akumulator iz stroja in ga napolnite.

Prikazuje preostalo raven napoljenosti akumulatorja

▶ **SI.16:** 1. Indikator napoljenosti akumulatorja

Kadar je zmogljivost baterije nizka, začne utripati indikator napoljenosti na strani uporabnega akumulatorja. Ob nadaljnji uporabi stroja se ta zaustavi in indikator napoljenosti akumulatorja sveti približno 10 sekund. V tem primeru napolnite akumulatorsko baterijo.



















Prikazuje preostalo raven napoljenosti akumulatorja

Samo za akumulatorske baterije z indikatorjem

▶ **SI.17:** 1. Indikatorske lučke 2. Gumb za preverjanje

Pritisnite gumb za preverjanje na baterijskem vložku, da preverite raven napoljenosti akumulatorja.

Indikatorske lučke na kratko zasvetijo.

Indikatorske lučke			Prikaz preostale ravni napoljenosti
 Sveti	 Ne sveti	 Utripa	
			od 75 % do 100 %
			od 50 % do 75 %
			od 25 % do 50 %
			od 0 % do 25 %
			Napolnite akumulator.
			Akumulator je morda okvarjen.
			

OPOMBA: Odvisno od pogojev uporabe in okoljske temperature se označba lahko nekoliko razlikuje od dejanske napoljenosti.

Delovanje stikala

⚠️ OPOZORILO: Preden namestite akumulatorsko baterijo, se vedno prepričajte, ali se preklonjena ročica ustrezno sproži in vrača v prvotni položaj, ko jo spustite. Uporaba stroja s stikalom, ki se ne sproži pravilno, lahko privede do izgube nadzora in resnih telesnih poškodb.

OPOMBA: Kosilnica se ne zažene, če ne pritisnete preklonnega gumba, tudi če je preklonjena ročica povlečena.

OPOMBA: Kosilnica se pri košnji dolge ali goste trate zaradi preobremenjenosti morda ne bo zagnala. V tem primeru povečajte višino košnje.

Ta kosilnica je opremljena z blokirnim in ročnim stikalom. Če opazite kar koli nenavadnega pri katerem koli izmed teh stikal, takoj prenehajte uporabljati kosilnico, stikali pa mora pregledati pooblaščen serviser izdelkov Makita.

1. Vstavite akumulatorski bateriji. Vstavite ključ za zaklep za blokirno stikalo, nato pa zaprite pokrov akumulatorja.
▶ **SI.18:** 1. Akumulatorska baterija 2. Ključ za zaklep
2. Pridržite preklonni gumb.
3. Zagrabite zgornji ročaj in povlecite preklonno ročico.
▶ **SI.19:** 1. Preklonni gumb 2. Preklonna ročica
4. Spustite preklonni gumb, takoj ko se motor zažene. Kosilnica bo delovala, dokler ne spustite preklonno ročice.
5. Če želite zaustaviti motor, spustite preklonno ročico.

Prilagoditev višine košnje

⚠ OPOZORILO: Kadar nastavljate višino košnje, ne segajte z rokami ali nogami pod ohišje kosilnice.

⚠ OPOZORILO: Pred uporabo se vedno pripravite, ali se ročica ustrezno prilega v utor.

Višino košnje lahko prilagodite v razponu od 20 mm do 75 mm.

1. Odstranite ključ za zaklep.
2. Povlecite ročico za prilagoditev višine košnje navzven in jo premaknite v položaj za zeleno višino košnje.
▶ **SI.20:** 1. Ročica za prilagoditev višine košnje

OPOMBA: Oznake za višino košnje so namenjene zgolj kot smernice. Dejanska višina košnje se lahko nekoliko razlikuje od nastavitve, odvisno od pogojev travnate ali talne površine.

OPOMBA: Najprej preizkusite zeleno višino košnje trave na manj vidnem mestu.

Indikator količine trave

- ▶ **SI.21:** 1. Indikator količine trave

Indikator količine trave prikazuje količino pokošene trave.

- Dokler koš za travo ni poln, indikator med košnjo niha.
- Ko je koš za travo poln, indikator med košnjo ne niha. V tem primeru takoj prenehajte kositi in izpraznite koš. Ko izpraznite koš, ga očistite tako, da bo prezračevalna mreža spet zračna.

OPOMBA: Ta indikator je samo okvirno vodilo. Ta indikator morda ne bo pravilno deloval, odvisno od pogojev znotraj koša.

Uporaba nastavka za zastiranje

Dodatna oprema

Nastavek za zastiranje omogoča zastiranje tal s pokošeno travo, pri čemer se pokošena trava ne zbira v košu za travo. Ko uporabljate stroj z nastavkom za zastiranje, morate odstraniti koš za travo.

OBVESTILO: Ko uporabljate stroj z nastavkom za zastiranje, mora biti trava visoka 30 mm ali več oz. višina reza nastavljena na 15 mm ali manj.

- ▶ **SI.22:** (1) 30 mm ali več (2) 15 mm ali manj

UPRAVLJANJE

Košnja

⚠ OPOZORILO: Pred košnjo z območja košnje odstranite palice in kamne. Z območja košnje odstranite tudi ves plevel.

⚠ OPOZORILO: Med uporabo kosilnice vedno nosite zaščitna očala s stransko zaščito.

⚠ POZOR: Če odrezana trava ali tujek povzroči blokado v notranjosti kosilnice, pred odstranjevanjem trave ali tujka odstranite ključ za zaklep in akumulatorsko baterijo, pri čemer morate nositi rokavice.

OBVESTILO: To napravo uporabljajte le za košnjo trave. S to napravo ne kosite plevela.

- ▶ **SI.23**

Med košnjo trdno držite ročaj z obema rokama.

Hitrost košnje je približno 1 meter na 4 sekunde.

- ▶ **SI.24**

Zunanja robova sprednjih koles določata širino košnje. Sledite zunanjima robovoma sprednjih koles in kosite v pasovih. Kosite tako, da vsak naslednji pas prekriva polovico ali tretjino prejšnjega. Tako bo trava pokošena enakomerno.

- ▶ **SI.25:** 1. Širina košnje 2. Prekrivajoče se območje 3. Zunanji rob

Vsakič spremenite smer košnje, da ne bo vzorec pokošene trave nastajal samo v eni smeri.

- ▶ **SI.26**

Redno preverjajte napolnjenost koša za travo. Koš izpraznite, še preden se napolni. Pred vsakim rednim preverjanjem zaustavite kosilnico ter odstranite ključ za zaklep in akumulatorsko baterijo.

OBVESTILO: Uporaba kosilnice s polnim košem za travo preprečuje gladko vrtenje rezila in pomeni dodatno obremenitev motorja, kar lahko povzroči okvaro.

Košnja visoke trave

Ne poskušajte kositi visoke trave v enem kosu. Namesto tega kosite zelenico po korakih. Počakajte dan ali dva med posameznimi košnjami, da se trava enakomerno skrajša.

OPOMBA: S košnjo dolge trave na krajšo dolžino v enem kosu lahko uničite travo. Poleg tega se lahko pokošena trava zagozdi v ohišju kosilnice.

Praznjenje koša za travo

⚠ OPOZORILO: Da zmanjšanje možnost nezgode, redno pregledujte koš za travo glede poškodb in obrabe. Koš za travo po potrebi zamenjajte.

1. Spustite preklopno ročico.
2. Odstranite ključ za zaklep.
3. Odprite zadnji pokrov in izvlecite koš za travo, tako da ga držite za ročaj.
▶ **SI.27:** 1. Zadnji pokrov 2. Ročaj
4. Izpraznite koš za travo.

VZDRŽEVANJE

⚠ OPOZORILO: Pred shranjevanjem, prenašanjem, pregledovanjem ali vzdrževanjem se vedno prepričajte, da sta ključ za zaklep in akumulatorska baterija odstranjena s kosilnice.

⚠ OPOZORILO: Kadar kosilnice ne uporabljate, vedno odstranite ključ za zaklep. Ključ za zaklep hranite na varnem mestu in izven dosega otrok.

⚠ OPOZORILO: Med pregledovanjem ali vzdrževanjem uporabljajte rokavice.

⚠ OPOZORILO: Med pregledom ali vzdrževanjem vedno nosite navadna zaščitna očala ali zaščitna očala s stransko zaščito.

OBVESTILO: Nikoli ne uporabljajte bencina, razredčila, alkohola ali podobnega sredstva. V tem primeru se lahko orodje razbarva ali deformira oziroma lahko nastanejo razpoke.

VARNO in ZANESLJIVO delovanje tega izdelka bo zagotovljeno le, če boste popravila, vzdrževanje in nastavitve prepustili pooblaščenemu servisu za orodja Makita ali tovarniškemu osebju, ki vgrajuje izključno originalne nadomestne dele.

Vzdrževanje

1. Odstranite ključ za zaklep. Shranite ga na varno mesto in izven dosega otrok.
2. Kosilnico čistite samo z mokro krpo. Pri čiščenju ne pršite in ne polivajte vode prek kosilnice.
3. Obrnite kosilnico na bok in očistite ostanke trave, ki so se nabrali na spodnji strani pokrova kosilnice.
4. Preverite, ali so vse matice, vijaki, gumbi, pritrdila itd. zategnjeni.
5. Preverite, ali so premični deli poškodovani, zlomljeni oziroma obrabljeni. Zamenjajte vse poškodovane ali manjkajoče dele.

Shranjevanje

⚠ OPOZORILO: Pri transportu ali shranjevanju kosilnice ne držite kosilnice za zložena ročaja, temveč za sprednji ročaj kosilnice. Če držite samo za zložena ročaja, lahko pride do hudih telesnih poškodb ali poškodb kosilnice.

Odstranite akumulatorsko baterijo in ključ za zaklep, preden pripravite kosilnico.

Kosilnico hranite v hladnem, suhem in zaprtem prostoru. Ne shranjujte kosilnice in polnilnika na mestih, kjer lahko temperatura doseže ali preseže 40 °C.

▶ **SI.28:** 1. Sprednji ročaj 2. Zadnji ročaj

1. Sprostite vpenjalne vijake in razširite spodnji ročaj na obeh straneh. Pomaknite ročaj navzdol v smeri naprej. Dobro držite spodnji ročaj, da ne pade na oddaljeno stran kosilnice.

▶ **SI.29:** 1. Vpenjalni vijak 2. Spodnji ročaj

2. Sprostite vpenjalne matice in zložite ročaj nazaj tako, da ga razširite na obeh straneh.

▶ **SI.30:** 1. Vpenjalna matica 2. Zgornji ročaj

3. Koš za travo shranite med ročaj in ohišje kosilnice.

▶ **SI.31:** 1. Koš za travo

OPOMBA: Pri postavljanju kosilnice v navpični položaj ne držite za ročaj, temveč uporabite sprednji ročaj kosilnice.

Odstranjevanje ali nameščanje rezila kosilnice

⚠ OPOZORILO: Kadar odstranjujete ali nameščate rezilo, vedno izvlecite ključ za zaklep in akumulatorsko baterijo. Če ne izvlecete ključa za zaklep in akumulatorske baterije, lahko pride do hudih telesnih poškodb.

⚠ OPOZORILO: Rezilo deluje v prostem teku še nekaj sekund po sprostitvi stikala. Počakajte, da se rezilo povsem ustavi.

⚠ OPOZORILO: Kadar rokujete z rezilom, vedno nosite rokavice.

Odstranjevanje rezila kosilnice

Za DLM382

1. Kosilnico položite na bok, tako da bo ročica za prilagoditev višine košnje na zgornji strani.
2. Zaklenite vrtenje rezila tako, da v odprtno ohišja kosilnice vstavite izvijač ali podobno orodje.
3. S ključem odvijte vijak v nasprotni smeri urnega kazalca.
▶ **SI.32:** 1. Rezilo kosilnice 2. Izvijač 3. Ključ
4. Odstranite vijak in rezilo v ustreznem vrstnem redu.
▶ **SI.33:** 1. Nastavek za rezilo 2. Rezilo kosilnice 3. Vijak

Za DLM432

1. Kosilnico položite na bok, tako da bo ročica za prilagoditev višine košnje na zgornji strani.
2. Zaklenite vrtenje rezila tako, da v odprtino ohišja kosilnice vstavite izvijač ali podobno orodje.
3. S ključem odvijte vijak v nasprotni smeri urnega kazalca.
▶ **SI.34:** 1. Rezilo kosilnice 2. Izvijač 3. Ključ
4. Po vrsti odstranite vijak, zunanjo prirobnico, rezilo kosilnice in notranjo prirobnico.
▶ **SI.35:** 1. Notranja prirobnica 2. Rezilo kosilnice 3. Zunanja prirobnica 4. Vijak

Namestitev rezila kosilnice

Novo rezilo kosilnice namestite v obratnem vrstnem redu.

⚠ OPOZORILO: Pri nameščanju rezila kosilnice bodite previdni. Njegova zgornja in spodnja stran se razlikujeta. Rezilo namestite tako, da je oznaka smeri vrtenja obrnjena navzven.

⚠ OPOZORILO: Nato zategnite vijak v smeri urinega kazalca, da pritrдите rezilo.

⚠ OPOZORILO: Preverite, ali so rezilo kosilnice in vsi pritrilni deli pravilno nameščeni in trdno pritrjeni.

⚠ OPOZORILO: Pri zamenjavi rezil vedno upoštevajte navodila v tem priročniku.

ODPRAVLJANJE TEŽAV

Preden zahtevate popravilo, izvedite lasten pregled. Če naletite na težavo, ki ni pojasnjena v navodilih, ne poskušajte razstavljati orodja. Namesto tega se obrnite na pooblaščen servis Makita. Pri popravljenih vedno uporabljajte nadomestne dele Makita.

Neobičajno stanje	Možni vzroki (okvare)	Ukrep
Kosilnica se ne zažene.	Akumulatorski bateriji nista nameščeni.	Namestite napoljeni akumulatorski bateriji.
	Težava z akumulatorjem (padeč napetosti)	Znova napolnite akumulatorsko baterijo. Če z vnovičnim polnjenjem ne odpravite težave, zamenjajte akumulatorsko baterijo.
	Ključ za zaklep ni vstavljen.	Vstavite ključ za zaklep.
Motor se zaustavi po kratkem času uporabe kosilnice.	Raven napoljenosti akumulatorja je nizek.	Znova napolnite akumulatorsko baterijo. Če z vnovičnim polnjenjem ne odpravite težave, zamenjajte akumulatorsko baterijo.
	Višina rezanja je premajhna.	Povečajte višino rezanja.
Motor ne doseže največje hitrosti.	Akumulatorska baterija ni pravilno nameščena.	Namestite akumulatorsko baterijo, kot je opisano v tem priročniku.
	Zmogljivost akumulatorja se zmanjšuje.	Znova napolnite akumulatorsko baterijo. Če z vnovičnim polnjenjem ne odpravite težave, zamenjajte akumulatorsko baterijo.
	Pogonski sistem ne deluje pravilno.	Za popravilo se obrnite na lokalni pooblaščen servisni center.
Rezilo kosilnice se ne vrtilo: ⇒ takoj zaustavite kosilnico!	V območju rezila je zagozden tujek, na primer veja.	Odstranite tujek.
	Pogonski sistem ne deluje pravilno.	Za popravilo se obrnite na lokalni pooblaščen servisni center.
Neobičajno vibriranje: ⇒ takoj zaustavite kosilnico!	Rezilo ni uravnoteženo ali prekomerno/ neenakomerno obrabljeno.	Zamenjajte rezilo.

DODATNA OPREMA

⚠ POZOR: Ta dodatni pribor ali pripomočki so predvideni za uporabo z orodjem Makita, ki je opisano v teh navodilih za uporabo. Pri uporabi drugega pribora ali pripomočkov obstaja nevarnost telesnih poškodb. Dodatni pribor ali pripomočke uporabljajte samo za navedeni namen.

- Rezilo kosilnice
- Nastavek za zastiranje
- Originalna akumulator in polnilnik Makita

OPOMBA: Nekateri predmeti na seznamu so lahko priloženi orodju kot standardna dodatna oprema. Lahko se razlikujejo od države do države.

Za več informacij o dodatni opremi se obrnite na najbližji pooblaščen servis za orodja Makita.

SPECIFIKIMET

Modeli:	DLM382	DLM432
Gjerësia e kositëses (diametri i diskut)	380 mm	430 mm
Shpejtësia pa ngarkesë	3 700 min ⁻¹	3 600 min ⁻¹
Numri i pjesës së fletës rezervë të kositëses	191D41-2	191D43-8
Përmasat (GJ x T x L)	gjatë përdorimit GJ: 1 380 mm deri 1 410 mm T: 450 mm L: 985 mm deri 1 005 mm	GJ: 1 435 mm deri 1 490 mm T: 460 mm L: 1 005 mm deri 1 045 mm
	kur magazinohet (pa koshin e barit)	860 mm x 450 mm x 475 mm
Tensioni nominal	D.C. 36 V	
Pesha neto	16,2 - 16,9 kg	16,8 - 17,5 kg

- Për shkak të programit tonë të vazhdueshëm të kërkim-zhvillimit, specifikimet që jepen këtu mund të ndryshojnë pa dhënë njoftim.
- Specifikimet mund të ndryshojnë nga njëri shtet në tjetrin.
- Pesha mund të ndryshojë në varësi të aksesorit(ëve), përfshirë kutinë e baterisë. Kombinimi më i lehtë dhe më i rëndë, sipas Procedurës EPTA 01/2014, tregohet në tabelë.

Kutia e aplikueshme e baterisë

BL1815N / BL1820 / BL1820B / BL1830 / BL1830B / BL1840 / BL1840B / BL1850 / BL1850B / BL1860B


- Disa prej kutive të baterive të renditura më lart mund të mos jenë të disponueshme në varësi të zonës ku ju banoni.


⚠ PARALAJMËRIM: Përdorni vetëm kutitë e baterisë të listuara më lart. Përdorimi i kutive të tjera të baterisë mund të shkaktojë lëndim dhe/ose zjarr.


Simbolet


Pjesët në vazhdim tregojnë simbolet e përdorura për pajisjen. Sigurohuni që merrni vesh kuptimin e tyre përpara përdorimit.


 Tregoni kujdes dhe vëmendje të veçantë.


 Lexoni manualin e përdorimit.

 Rrezik; kini kujdes nga objektet e hedhura.

 Distanca ndërmjet veglës dhe personave që qëndrojnë aty pranë duhet të jetë të paktën 15 m.

 Mos i vendosni kurrë këmbët dhe duart pranë diskut nën kositëse. Disqet vazhdojnë të rrotullohen pasi motori të jetë fikur.

 Hiqni çelësin e bllokimit përpara se të kontrolloni, rregulloni, pastroni, të kryeni shërbime, ta magazinoni kositësen dhe ta ruani atë.

 Vetëm për shtetet e BE-së
Mos i hidhni pajisjet elektrike ose paketën e baterisë së bashku me mbeturinat e shtëpisë!
Në përputhje me Direktivën Evropiane për mbetjet nga pajisjet elektrike dhe elektronike, për bateritë dhe akumulatorët dhe mbetjet nga bateritë dhe akumulatorët dhe implementimin e tyre në përputhje me legjisllacionin kombëtar, pajisjet elektrike, bateritë dhe paketën(at) e baterisë që kanë arritur fundin e jetëgjatësisë së tyre duhet të mblidhen veçmas dhe të dorëzohen në një objekt riciklimi që nuk dëmton mjedisin.

Përdorimi i synuar

Makineria është synuar për kositjen e barit.

Zhurma

Niveli tipik i zhurmës A, i matur sipas EN60335-2-77:

Modeli DLM382

Niveli i presionit të zhurmës (L_{pA}): 81 dB (A)

Niveli i fuqisë së zhurmës (L_{WA}): 91 dB (A)

Pasiguria (K): 3 dB (A)

Modeli DLM432

Niveli i presionit të zhurmës (L_{pA}): 81 dB (A)

Niveli i fuqisë së zhurmës (L_{WA}): 92 dB (A)

Pasiguria (K): 3 dB (A)

SHËNIM: Vlerat e deklaruar totale të emetimeve të zhurmës janë matur sipas një metode standarde testimi dhe mund të përdoren për të krahasuar një vegël me një tjetër.

SHËNIM: Vlerat e deklaruara të emetimeve të zhurmës mund të përdoren për një vlerësim paraprak të ekspozimit.

⚠ PARALAJMËRIM: Mbani mbrojtëse për veshët.

⚠ PARALAJMËRIM: Emetimet e zhurmës gjatë përdorimit aktual të veglës elektrike mund të ndryshojnë nga vlerat e deklaruara në varësi të mënyrave sesi përdoret vegla, veçanërisht nga loji i materialit të punës që përdoret.

⚠ PARALAJMËRIM: Vërtetoni që masat e sigurisë për mbrojtjen e përdoruesit bazohen në vlerësimin e ekspozimit ndaj kushteve aktuale të përdorimit (duke marrë parasysh të gjitha pjesët e ciklit të funksionimit si ato kur pajisja është e fikur dhe punon pa prerë ashtu edhe kohën e përdorimit).

Dridhja

Vlera totale e dridhjeve (shuma e vektorit me tre akse) përcaktohet sipas EN60335-2-77:

Modeli DLM382

Emetimi i dridhjeve (a_{h1}): 2,5 m/s² ose më pak
Pasiguria (K): 2,0 m/s²

Modeli DLM432

Emetimi i dridhjeve (a_{h1}): 2,5 m/s² ose më pak
Pasiguria (K): 1,5 m/s²

SHËNIM: Vlerat e deklaruara totale të dridhjeve janë matur sipas një metode standarde testimi dhe mund të përdoren për të krahasuar një vegël me një tjetër.

SHËNIM: Vlerat e deklaruara totale të dridhjeve mund të përdoren për një vlerësim paraprak të ekspozimit.

▲ PARALAJMËRIM: Emetimet e dridhjeve gjatë përdorimit aktual të veglës elektrike mund të ndryshojnë nga vlerat e deklaruara në varësi të mënyrave sesi përdoret vegla, veçanërisht nga lloji i materialit të punës që përdoret.

▲ PARALAJMËRIM: Vërtetoni që masat e sigurisë për mbrojtjen e përdoruesit bazohen në vlerësimin e ekspozimit ndaj kushteve aktuale të përdorimit (duke marrë parasysh të gjitha pjesët e ciklit të funksionimit si ato kur pajisja është e fikur dhe punon pa prerë ashtu edhe kohën e përdorimit).

Deklarata e konformitetit me KE-në

Vetëm për shtetet evropiane

Deklarata e konformitetit me KE-në përfshihet si Shtojca A në këtë manual përdorimi.

PARALAJMËRIME SIGURIE

UDHËZIME TË RËNDËSISHME PËR SIGURINË

▲ PARALAJMËRIM: Lexoni të gjitha paralajmërimet dhe udhëzimet për sigurinë. Mosndjekja e paralajmërimeve dhe udhëzimeve mund të rezultojë në goditje elektrike, zjarr dhe/ose lëndim serioz.

Ruajini të gjitha paralajmërimet dhe udhëzimet për të ardhmen.

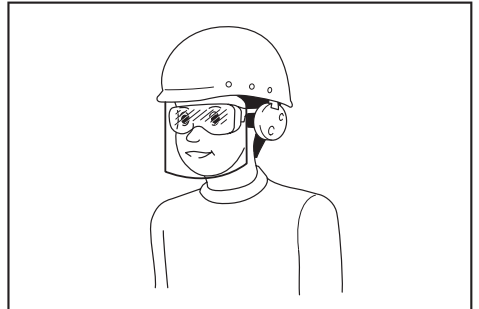
Trajnimi

1. Lexojini udhëzimet me kujdes. Njihuni me komandat dhe përdorimin e duhur të kositëses.
2. Mos i lejoni kurrë fëmijët ose personat që nuk i njohin këto udhëzime të përdorin kositësen. Rregullat vendore mund të kufizojnë moshën e përdoruesit.
3. Mos e përdorni kurrë kositësen nëse ka njerëz pranë, sidomos fëmijë apo kafshë shtëpiake.
4. Kini parasysh se përdoruesi është përgjegjës për aksidentet ose rreziqet që mund t'u ndodhin personave të tjerë ose pronës së tyre.

5. Fëmijët duhet të mbikëqyren për t'u siguruar se nuk luajnë me kositësen.
6. Gjendja fizike – Mos e përdorni kositësen kur jeni nën ndikimin e drogës, alkoolit ose ndonjë medikamenti.

Përgatitja

1. Gjatë përdorimit të kositëses vishni gjithmonë këpucë të forta dhe pantallona të gjata. Mos e përdorni kositësen kur jeni zbatuar apo kur kenë veshur sandale të hapura. Shmangni veshjen e rrobave të gjera ose mbajtjen e bizhuterive që kanë kordonë ose fije që varen. Ato mund të ngecin në pjesët lëvizëse.
2. Përpara përdorimit, gjithmonë inspektoni kositësen për mbrojtëse të dëmtuara, që mungojnë ose që janë të vendosura gabimisht.
3. Sigurohuni që në zonë të mos ketë njerëz të tjerë përpara se të nisni kositjen. Fikeni kositësen nëse ndokush afrohet në zonë.
4. Mos e futni çelësin e bllokimit në kositëse derisa ajo të jetë gati për t'u përdorur.
5. Gjithmonë mbani veshje mbrojtëse për të mbrojtur sytë nga lëndimi kur përdorni veglat elektrike. Syzet mbrojtëse duhet të jenë në pajtim me ANSI Z87.1 në SHBA, EN 166 në Evropë ose AS/NZS 1336 në Australi/Zelandën e Re. Në Australi/Zelandën e Re, ligji kërkon që të mbahet gjithashtu edhe një mbrojtëse fytyre për të mbrojtur fytyrën.



Është përgjegjësi e punëdhënësit të detyrojë përdorimin e pajisjeve të duhura mbrojtëse për sigurinë nga punëtorët dhe nga personat e tjerë që ndodhen pranë ambienteve të punës.

6. Përpara përdorimit kontrolloni me kujdes fletët ose bulonat e fletëve për krisje ose dëmtime. Zëvendësoni menjëherë fletët ose bulonat e fletëve të krisura ose të dëmtuara.
7. Hiqni materialet e huaja si gurët, telat, shishet, kokcat dhe shkopinjtë e mëdhenj nga zona e punës përpara se të nisni kositjen për të parandaluar lëndimin personal ose dëmtimin e kositëses.
8. Objektet që goditen nga disku i kositëses mund të shkaktojnë lëndime të rënda ndaj personave. Duhet të ekzaminoni gjithmonë me kujdes oborrin dhe të hiqni të gjitha objektet përpara se të kositni bari.
9. Shikoni për gropa, vija, gunga, gurë ose objekte të tjera të fshehura. Terreni i paniveluar mund të shkaktojë aksident rëshqitjeje dhe rrëzimi. Bari i lartë mund të fshehtë pengesa.

Përdorimi

1. Mos u zgjatni më shumë seç duhet. Mbani në çdo moment ruani ekuilibrin. Siguroni mbështetje të mirë të këmbëve në zona të pjerrëta. Eçni, mos vraponi asnjëherë.
2. Ndalojeni kositësen dhe hiqni çelësin e bllokimit dhe sigurohuni që të gjitha pjesët lëvizëse të kenë ndaluar plotësisht:
 - sa herë që lini kositësen vetëm,
 - përpara se të pastroni bllokimet apo të zhblokoni marmitën,
 - përpara se të kontrolloni, pastroni ose të punoni me kositësen,
 - pasi keni goditur objekte të huaja. Inspektoni kositësen për dëmtime dhe bëni riparime përpara se ta rindizni dhe ta përdorni,
 - kur kositësja fillon të dridhet në mënyrë jonormale.
3. Mos e përdorni kurrë kositësen me mbrojtëse me defekt ose pa montuar në vendin e duhur pajisje sigurie, për shembull pajisjet shmangëse dhe/ose koshin e barit.
4. Shmangni përdorimin e kositëses në kushte të këqija atmosferike, veçanërisht kur ka rrezik për vetëtimin.
5. Mbani mbrojtëse për sytë dhe këpucë të forta gjatë gjithë kohës së përdorimit të kositëses.
6. Përdoreni kositësen vetëm gjatë ditës ose në kushte të mira ndriçimi artificial.
7. Ndizeni kositësen me kujdes sipas udhëzimeve dhe me këmbët larg diskut (disqeve).
8. Bëni kujdes të mos lëndoni këmbët dhe duart me fletët e kositëses.
9. Sigurohuni gjithmonë që vrimat e ajrosjes të mbahen të pastra nga papastërtitë.
10. Kositni përmes faqeve të pjerrinave, asnjëherë lart e poshtë. Bëni kujdes të veçantë kur ndryshoni drejtimin në zonat e pjerrëta. Mos kositni në zona me pjerrësi shumë të madhe.
11. Tregoni shumë kujdes kur ndryshoni drejtimin e kositëses ose kur e tërhiqni drejt vetes.
12. Ndalojeni diskun(disqet) nëse kositësja duhet anuar për transportim, kur kaloni në sipërfaqe ku nuk ka bar dhe kur e transportoni nga apo për në zonën e përdorimit.
13. Mos e anoni kositësen kur ndizni motorin, përveçse kur kositësja duhet të anohet për t'u ndezur. Në këtë rast mos e anoni më shumë nga sa është absolutisht e nevojshme dhe ngrini vetëm pjesën që është larg përdoruesit. Gjithmonë sigurohuni që të dyja duart të jenë pozicionin e përdorimit përpara se ta ktheni në tokë kositësen.
14. Mos i vendosni duart ose këmbët pranë apo nën pjesët rrotulluese. Qëndroni gjithmonë larg vrimës së shkarkimit.
15. Mos e transportoni kositësen kur kositësja është e ndezur.
16. Shmangni përdorimin e kositëses në bar të lagur.
17. Mos e përdorni kurrë kositësen në shi.
18. Mbajeni gjithmonë fort dorezën.
19. Mos kapni me dorë disqet prerëse ose tehet prerëse të ekspozuara kur e ngrini ose mbani kositësen.
20. Mbajini këmbët dhe duart larg disqeve rrotulluese. Kujdes - Disqet rrethqasin pasi kositësja fiket.
21. Ndalojeni menjëherë përdorimin nëse vini re diçka të pazakontë. Fikni kositësen dhe hiqni çelësin e bllokimit. Pastaj kontrolloni kositësen.
22. Asnjëherë mos u bëriqni të bëni rregullime të lartësisë së prerjes ndërkohë që kositësja është në lëvizje nëse kositësja ka veçorinë e rregullimit të lartësisë së prerjes.
23. Lëshoni levën e çelësit dhe prisni që fleta të ketë ndaluar përpara se të kaloni rrugët, rrugicat ose ndonjë zonë të mbuluar me zhavorr. Gjithashtu, hiqni çelësin e bllokimit nëse lini kositësen vetëm, zgjasni dorën për të kapur ose hequr diçka që keni përpara ose për ndonjë arsye tjetër që mund t'ju shpërqendrojë nga puna që po bëni.
24. Nëse kositësja godet një objekt të huaj, ndiqni hapat e mëposhtme:
 - Fikni kositësen, lëshoni levën e çelësit dhe prisni derisa disku të ketë ndaluar plotësisht.
 - Hiqni çelësin e bllokimit dhe kutinë e baterisë.
 - Kontrolloni mirë kositësen për ndonjë dëmtim.
 - Zëvendësoni diskun nëse ka ndonjë dëmtim. Riparoni çdo dëmtim përpara se të rinisni ose të vazhdoni punën me kositësen.
25. Mos e ndizni kositësen kur jeni duke qëndruar përpara vrimës së shkarkimit.
26. Nëse kositësja nis të ketë dridhje jo normale (kontrollojeni menjëherë)
 - inspektoni për dëmtim,
 - zëvendësoni ose riparoni pjesët e dëmtuara,
 - kontrolloni dhe shtrëngoni pjesët e liruara.
27. Asnjëherë mos ia drejtoni materialin e shkarkuar dikujt. Shmangni shkarkimin e materialit kundrejt një muri ose pengese. Materiali mund të bëjë rikohetë drejt përdoruesit. Ndalojeni fletën kur kaloni mbi sipërfaqe me zhavorr.
28. Mos e tërhiqni kositësen prapa përveçse kur është absolutisht e nevojshme. Kur jeni i detyruar që të ktheni kositësen nga një gardh ose pengesë e ngjashme, shikoni poshtë dhe prapa përpara dhe gjatë lëvizjes mbrapsht.
29. Fikni motorin dhe prisni derisa fleta të ndalojë plotësisht përpara se të hiqni kapësen e barit. Tregoni kujdes sepse fletët lëvizin pas fikjes.

Mirëmbajtja dhe ruajtja

1. Për siguri, ndërrojni pjesët e konsumuara apo të dëmtuara. Përdorni vetëm pjesë këmbimi dhe aksesori origjinalë.
2. Inspektoni dhe mirëmbajeni kositësen rregullisht.
3. Kur nuk është në përdorim, ruajeni kositësen larg fëmijëve.
4. Mbajini të gjitha dadot, bulonat dhe vidat të shtrënguara mirë për t'u siguruar që pajisja të jetë në kushte të sigurta pune.
5. Kontrolloni vazhdimisht koshin e barit për konsumim ose vjetrim. Për ruajtje, sigurohuni gjithmonë që koshi i barit të jetë bosh. Për siguri, një kosh bari të konsumuar zëvendësojeni me një kosh të ri nga fabrika.
6. Përdorni vetëm disqet origjinale të prodhuesit të specifikuara në këtë manual.
7. Bëni kujdes gjatë rregullimit të kositëses për të parandaluar ngecjen e gishtave në disqet që lëvizin dhe në pjesët e fiksuara të kositëses.

8. Mos e lani me zorrë; shmangni futjen e ujit në motor dhe në lidhjet elektrike.
9. Kontrolloni në intervale të shpeshta që buloni i montimit të diskut të jetë shtrënguar mirë.
10. Lërimi gjithmonë kositësen të ftohet përpara se ta magazinoni.
11. Gjatë kryerjes së shërbimeve te disqet bëni kujdes që edhe pse burimi i energjisë është i fikur, disqet mund të lëvizin ende.
12. Asnjëherë mos hiqni ose ngacmoni pajisjet e sigurisë. Kontrolloni rregullisht funksionimin e tyre të rregullt. Asnjëherë mos bëni dëmtim për të ndërhyrë në funksionin e synuar të një pajisjeje sigurie ose për të reduktuar mbrojtjen e ofruar nga një pajisje sigurie.

Përdorimi dhe kujdesi për veglën me bateri

1. Ngarkojeni vetëm me ngarkuesin e specifikuar nga prodhuesi. Ngarkuesi që është i përshtatshëm për një lloj pakete baterie mund të shkaktojë rrezik zjarri kur përdoret me një paketë tjetër baterie.
2. Përdorini veglat elektrike vetëm me paketat e baterisë të përcaktuara në mënyrë specifike. Përdorimi i paketave të tjera të baterisë mund të paraqesë rrezik lëndimi dhe zjarri.
3. Kur paketa e baterisë nuk përdoret, mbajeni larg nga objektet e tjera metalike, si kapësiet e letrave, monedhat, çelësat, gozhdët, vidat ose objektet e tjera metalike të vogla që mund të bëjnë lidhje nga njëri terminal tek tjetri. Krijimi i lidhjes së shkurtër ndërmjet terminaleve të baterisë mund të shkaktojë djegie ose zjarr.
4. Në kushte sforcimi mund të dalë lëng nga bateria; shmangni kontaktin. Nëse aksidentalisht ndodh kontakt, shpëlani me ujë. Nëse lëngu bie në kontakt me sytë, kërkoni edhe ndihmën e mjekut. Lëngu i dalë nga bateria mund të shkaktojë acarim ose djegie.
5. Mos e përdorni një kuti baterie apo vegël që është e dëmtuar ose e modifikuar. Bateritë e dëmtuara ose të modifikuara mund të shfaqin sjellje të paparashikueshme që rezultojnë në zjarr, shpërthime apo rrezik plagosjeje.
6. Mos e ekspozoni kutinë e baterisë ose veglën në zjarr ose ndaj temperaturave ekstreme. Ekspozimi ndaj zjarrit ose temperaturave mbi 130 °C mund të shkaktojë shpërthim.
7. Ndiqni të gjitha udhëzimet e karikimit dhe mos e karikoni kutinë e baterisë ose veglën jashtë kufijve të temperaturës të specifikuar të udhëzimit. Karikimi i pasaktë ose në temperatura jashtë kufijve të specifikuar mund të dëmtojë baterinë dhe të rrisë rrezikun e zjarrit.

Siguria elektrike dhe e baterisë

1. Mos e hidhni baterinë(të) në zjarr. Ajo mund të shpërthejë. Kontrolloni kodet vendore për udhëzime të mundshme të veçanta të hedhjes.
2. Mos e hapni dhe mos e shformoni baterinë(të). Elektroliti i çliruar është gërryes dhe mund të dëmtojë sytë ose lëkurën. Ai mund të jetë toksik nëse gëlltitet.
3. Mos e karikoni baterinë në shi ose në vende të lagura.
4. Mos e karikoni baterinë në ambiente të jashtme.
5. Mos e manovroni me duar të lagura karikuesin, as spinën dhe kontaktet e tij.

Shërbimi

1. Bëjini shërbim veglës elektrike nga një person i kualifikuar për riparime, duke përdorur vetëm pjesë identike të zëvendësimit. Kjo do ta mbajë të sigurt veglën elektrike.
2. Asnjëherë mos e kryeni vetë shërbimin e paketave të dëmtuara të baterive. Shërbimi i paketave të baterive duhet të kryhet vetëm nga prodhuesi ose ofruesit e autorizuar të shërbimit.

RUAJINI KËTO UDHËZIME.

▲ PARALAJMËRIM: MOS lejoni që njohja ose familjarizimi me produktin (të fituara nga përdorimi i shpeshtë) të zëvendësojnë zbatimin me përpikëri të rregullave të sigurisë për produktin në fjalë.

KEQPËRDORIMI ose mosndjekja e rregullave të sigurisë të dhëna në këtë manual përdorimi mund të shkaktojë dëmtime të rënda personale.

Udhëzime të rëndësishme rreth sigurisë për kutinë e baterisë

1. Përpara se ta përdorni kutinë e baterisë, lexoni të gjitha udhëzimet dhe shënimet e masave parandaluese të (1) ngarkuesit të baterisë, (2) bateria dhe (3) produkti që përdor baterinë.
2. Mos e hiqni kutinë e baterisë.
3. Nëse koha e përdorimit është shkurtuar jashtë mase, ndalojeni punën menjëherë. Kjo mund të rezultojë në rrezik mbinxehjeje, djegie të mundshme, madje edhe shpërthim.
4. Nëse ju futen elektrolitit në sy, shpëlajini sytë me ujë të pastër dhe kërkoni ndihmë mjekësore menjëherë. Kjo gjë mund të rezultojë në humbje të shikimit.
5. Mos bëni lidhje të shkurtër me kutinë e baterisë:
 - (1) Mos i prekni terminalet me materiale përcjellëse.
 - (2) Shmangni ruajtjen e kutisë së baterisë në një kuti me objekte të tjera metalike, si gozhdë, monedha etj.
 - (3) Mos e ekspozoni kutinë e baterisë në ujë ose shi. Qarku i shkurtër i baterisë mund të shkaktojë qarkullim të madh të rrymës elektrike, mbinxehje, djegie të mundshme dhe madje prishje.
6. Mos e ruani pajisjen dhe kutinë e baterisë në vende ku temperatura mund të arrijë ose tejkalojë 50 °C.
7. Mos e digji kutinë e baterisë, edhe nëse është shumë e dëmtuar ose është konsumuar plotësisht. Kutia e baterisë mund të shpërthejë në zjarr.
8. Bëni kujdes që të mos e rrezoni ose ta godisni baterinë.
9. Mos përdorni bateri të dëmtuar.
10. Bateritë e përfshira të litiumit, u nënshtrohen kërkesave të legjislacionit për mallrat e rrezikshme. Për transport tregtar p.sh. nga palë të treta, agentët të ndërmjetëm, duhet të ndiqen kërkesa specifike mbi paketimin dhe etiketimin. Për përgatitjen e artikullit për transport, është i nevojshëm konsultimi i një eksperti për materiale të rrezikshme. Ju lutemi, ndiqni gjithashtu rregulloret me gjasë më të detajuara vendore. Mbuloni me ngjitëse ose maskoni kontaktet e zhveshura dhe paketojeni baterinë në mënyrë të tillë që të mos lëvizë në paketim.

- Kur hidhni kutinë e baterisë, hiqeni nga vegla dhe hidhjeni në një vend të sigurt. Zbatoni rregulloret lokale rreth hedhjes së baterisë.**
- Përdorini bateritë vetëm me produktet e specifikuar nga Makita.** Instalimi i baterive në produkte të papajtueshme mund të rezultojë në zjarr, nxehtësi të lartë, shpërthim ose rrjedhje të elektrolitëve.
- Nëse vegla nuk përdoret për një periudhë të gjatë kohe, bateria duhet të hiqet nga vegla.**

RUAJINI KËTO UDHËZIME.

⚠️KUJDES: Përdorni vetëm bateri origjinale Makita. Përdorimi i baterive jo-origjinale Makita ose baterive që mund të jenë modifikuar, mund të rezultojë në marrjen flakë të baterisë, lëndime personale apo dëmtime. Kjo do të anulohë gjithashtu edhe garancinë e Makita-s për veglën e Makita-s dhe ngarkuesin.

Këshilla për të ruajtur jetëgjatësinë maksimale të baterisë

- Ngarkojeni baterinë përpara se të shkarkohet plotësisht. Gjithmonë ndaloni punën me pajisjen dhe ngarkoni baterinë kur vëreni ulje të fuqisë së pajisjes.**
- Asnjëherë mos e ringarkoni baterinë e ngarkuar plotësisht. Mbingarkimi shkurton jetëgjatësinë e shërbimit të baterisë.**
- Ngarkojeni baterinë në temperaturën e dhomës në 10 °C - 40 °C. Lëreni kutinë e nxehtë të baterisë të ftohet përpara se ta ngarkoni atë.**
- Ngarkojeni baterinë nëse nuk e përdorni për një kohë të gjatë (mbi gjashtë muaj).**

MONTIMI

⚠️PARALAJMËRIM: Sigurohuni gjithmonë që çelësi i bllokimit dhe kutia e baterisë të jenë hequr përpara se të kryeni ndonjë shërbim për kositësen. Mosheqja e çelësit të bllokimit dhe kutisë së baterisë mund të çojë në lëndime personale serioze nga ndezja e paqëllimshme.

⚠️PARALAJMËRIM: Mos e ndizni kurrë kositësen nëse nuk është montuar plotësisht. Vënia në punë e makinerisë kur në gjendje pjesërisht të montuar mund të rezultojë në lëndime personale serioze nga ndezja e paqëllimshme.

Mbyllni kapakun e baterisë

⚠️PARALAJMËRIM: Mos e vendosni çelësin e bllokimit dhe kutinë e baterisë përpara instalimit të kapakut të baterisë. Moskryerja e këtij veprimi mund të shkaktojë dëmtime serioze.

Instaloni kapakun e baterisë plotësisht përpara përdorimit. Kapaku i baterisë mbron kositësen dhe kutinë e baterisë nga balta, papastërtitë dhe ujë.

1. Vendoseni kapakun e baterisë me pjesët e dala në kositëse të bashkërenditura me vrimat në kapakun e baterisë.

► Fig.1: 1. Dalja 2. Vrima 3. Kapaku i baterisë

2. Vendosini duart në qendër të kapakut të baterisë dhe shtypeni.

► Fig.2

3. Përpara kryerjes së punës së parë, verifikoni që pika e rrotullimit e kapakut të baterisë është bashkuar siç duhet. Nëse kapaku i baterisë është instaluar siç duhet, ai nuk do të hapet derisa të tërhiqet leva e bllokimit.

► Fig.3: 1. Pika e rrotullimit 2. Leva e bllokimit të kapakut të baterisë

Instalimi i dorezës

VINI RE: Kur instaloni dorezat, poziciononi kordonët në mënyrë të tillë që të mos pengohen nëpër doreza. Nëse kordoni është i dëmtuar, çelësi i kositëses mund të mos funksionojë.

1. Rrëshqitni dy fundet e dorezës së poshtme në ulluqet e kositëses, më pas shtrëngoni plotësisht vidat shtrënguese.

► Fig.4: 1. Vida e mbërthimit 2. Doreza e poshtme

2. Drejtvendosni vrimat e vidave të dorezës së sipërme dhe dorezës së poshtme. Sigurojini ato me vida dhe dado shtrënguese.

► Fig.5: 1. Dadoja e mbërthimit 2. Vida e mbërthimit

SHËNIM: Mbajeni dorezën e sipërme fort në mënyrë që të mos ju bjerë nga dora.

3. Bashkujini mbajtëset dorezës. Poziciononi kordonin e furnizimit me energji siç tregohet në figurë.

► Fig.6: 1. Mbajtësja

Heqja e aksesorit të plehërimit

Aksesor opsional

1. Hapni kapakun e pasmë.

► Fig.7: 1. Kapaku i pasmë

2. Mbajeni aksesorin e plehërimit nga doreza dhe më pas tërhiqeni nga trupi i kositëses siç tregohet në figurë.

► Fig.8: 1. Aksesor i plehërimit 2. Doreza

Instalimi i koshit të barit

1. Hapni kapakun e pasmë.

► Fig.9: 1. Kapaku i pasmë

2. Futeni koshin e barit në shufrën e kositëses siç tregohet në figurë.

► Fig.10: 1. Grep i 2. Shufra 3. Koshi i barit

Vendosja e aksesorit të plehërimit

Aksesor opsional

1. Hapni kapakun e pasmë dhe më pas hiqni koshin e barit.

► Fig.11: 1. Kapaku i pasmë 2. Koshi i barit

2. Mbajeni aksesorin e plehërimit nga doreza dhe më pas bashkujeni me trupin e kositëses siç tregohet në figurë.

► Fig.12: 1. Aksesor i plehërimit 2. Doreza

PËRSHKRIMI I PUNËS

Instalimi ose heqja e kutisë së baterisë

▲KUJDES: Fikeni gjithmonë makinerinë përpara se të instaloni ose hiqni kutinë e baterisë.

▲KUJDES: Sigurohuni që të bllokoni kapakun e baterisë përpara përdorimit. Përndryshe, balta, pluhuri ose uji mund të dëmtojnë produktin ose kutinë e baterisë.

▲KUJDES: Vendoseni gjithnjë plotësisht kutinë e baterisë derisa treguesi i kuq të mos duket. Në të kundërt, ajo mund të bjerë aksidentalisht nga makineria duke ju lënduar juve ose personin pranë jush.

▲KUJDES: Mos e vendosni me forcë kutinë e baterisë. Nëse kutia nuk hyn lehtë, nuk po e futni siç duhet.

SHËNIM: Makineria nuk punon vetëm me një kuti baterie.

Për të instaluar kutinë e baterisë;

1. Rrëshqitni levën e bllokimit të kapakut të baterisë dhe hapni kapakun e baterisë.

► **Fig.13:** 1. Kapaku i baterisë 2. Leva e bllokimit të kapakut të baterisë

2. Vendosni drejt gjuhëzën e kutisë së baterisë me të çarën në kositëse, më pas rrëshqitni kutinë derisa të bllokohet në vend me një kërciçje.

► **Fig.14:** 1. Kutia e baterisë

3. Futni deri në fund çelësin e bllokimit në vendin që tregon figura.

► **Fig.15:** 1. Çelësi i bllokimit

4. Mbyllni kapakun e baterisë dhe shtypni derisa të jetë mbyllur me levën e bllokimit.

Për të hequr kutinë e baterisë nga kositësja;

1. Rrëshqitni levën e bllokimit të kapakut të baterisë dhe hapni kapakun e baterisë.

2. Tërhiqni kutinë e baterisë nga kositësja ndërsa rrëshqisni butonin në pjesën e përparme të kutisë.

3. Nxirrni çelësin e bllokimit.

4. Mbyllni kapakun e baterisë.

Sistemi i mbrojtjes së makinerisë/ baterisë

Makineria është e pajisur me një sistem për mbrojtjen e makinerisë/baterisë. Ky sistem ndërpret automatikisht energjinë në motor për të zgjatur jetëgjatësinë e veglës dhe baterisë. Makineria do të ndalojë automatikisht gjatë punës nëse makineria ose bateria janë vendosur sipas njërit prej kushteve të mëposhtme.

Mbrojtja nga mbingarkesa

Kur makineria vihet në punë në një mënyrë që e bën atë të tërheqë një rrymë më të lartë nga normalja, makineria fiket automatikisht pa dhënë asnjë shenjë. Në këtë situatë, fikeni makinerinë dhe ndaloni punën që shkaktoi mbingarkesën e makinerisë. Pastaj ndizeni makinerinë për ta rinisur.

Mbrojtja ndaj mbinxehjes

Kur makineria mbinxehet, makineria ndalon automatikisht. Lëreni makinerinë të ftohet përpara se ta ndizni sërish makinerinë.

Mbrojtja nga mbishkarkimi

Kur kapaciteti i baterisë ulet, makineria ndalon automatikisht. Nëse produkti nuk funksionon edhe kur shtypen çelësat, hiqni bateritë nga makineria dhe ngarkojni ato.

Treguesi i kapacitetit të mbetur të baterive

► **Fig.16:** 1. Treguesi i baterisë

















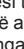




Kur kapaciteti i baterisë së mbetur pakësohet, treguesi i baterisë pulson në krahun përkatës të baterisë. Nëse puna vazhdon, makineria ndalon dhe treguesi i baterisë ndizet për rreth 10 sekonda. Në këtë rast, ngarkoni kutinë e baterisë.

Treguesi i kapacitetit të mbetur të baterive

Vetëm për kuti baterie me llambë

► **Fig.17:** 1. Llambat treguese 2. Butoni i kontrollit

Shtypni butonin e kontrollit në kutinë e baterisë për të rregulluar kapacitetin e mbetur të baterisë. Llambat treguese ndizen për pak sekonda.

Llambat treguese			Kapaciteti i mbetur
Ndezur	Fikur	Duke pulsuar	
			75% deri 100%
			50% deri 75%
			25% deri 50%
			0% deri 25%
			Ngarkojeni baterinë.
			Llambushka mund të ketë keqfunksionuar.
			

SHËNIM: Në varësi të kushteve të përdorimit dhe të temperaturës së ambientit, treguesi mund të ndryshojë paksa nga kapaciteti aktual.

Veprimi i ndërrimit

▲PARALAJMËRIM: Përpara instalimit të kutisë së baterisë, kontrolloni gjithmonë nëse leva e çelësit aktivizohet siç duhet dhe nëse kthehet në pozicionin fillestar kur lëshohet. Përdorimi i makinerisë me një çelës që nuk funksionon siç duhet mund të çojë në humbje të kontrollit dhe lëndim të rëndë personal.

SHËNIM: Kositësja nuk ndizet pa shtypur butonin e çelësit, edhe nëse e keni tërhequr levën e çelësit.

SHËNIM: Kositësja mund të mos nisët për shkak të mbingarkesës kur provoni të kositni bar të gjatë ose të dendur njëkohësisht. Në këtë rast risni lartësinë e kositisjes.

Kositësja është e pajisur me çelës sinkronizimi dhe çelës doreze. Nëse vini re diçka të pazakontë me një nga këto çelësa ndaloni menjëherë punën dhe kontrolloni në qendrën më të afërt të shërbimit të autorizuar nga Makita.

1. Instaloni kutitë e baterisë. Futni çelësin e bllokimit në çelësin e ndërblokimit dhe më pas mbyllni kapakun e baterisë.

► **Fig.18:** 1. Kutia e baterisë 2. Çelësi i bllokimit

2. Shtypni butonin e çelësit dhe mbajeni shtypur.

3. Kapni dorezën e sipërme dhe tërhiqni levën e çelësit.

► **Fig.19:** 1. Butoni i çelësit 2. Leva e çelësit

4. Lëshoni butonin e çelësit sapo motori nis të punojë. Kositësja do të vazhdojë të punojë derisa të lëshoni levën e çelësit.

5. Lëshoni levën e çelësit për të ndaluar motorin.

Rregullimi i lartësisë së kositisjes

▲ PARALAJMËRIM: Asnjëherë mos e vendosni dorën ose këmbën poshtë trupit të kositësës kur rregulloni lartësinë e kositisjes.

▲ PARALAJMËRIM: Gjithmonë sigurohuni që të keni futur mirë levën në kanal përpara përdorimit.

Lartësia e kositisjes mund të rregullohet në një nivel mes 20 mm dhe 75 mm.

1. Hiqni çelësin e bllokimit.

2. Tërhiqni levën e rregullimit të lartësisë së kositisjes përpara trupit të kositësës dhe lëvizini në lartësinë e dëshiruar të kositisjes.

► **Fig.20:** 1. Leva e rregullimit të lartësisë së kositisjes

SHËNIM: Figurat e lartësisë së kositisjes duhet të përdoren vetëm si udhëzuese. Në varësi të kushteve të lëndinës ose të tokës, lartësia aktuale e kositisjes mund të jetë paksa e ndryshme nga lartësia e vendosur.

SHËNIM: Provoni një kositje prove të barit në një pjesë jo shumë të dukshme që të arrini lartësinë e duhur.

Treguesi i nivelit të barit

► **Fig.21:** 1. Treguesi i nivelit të barit

Treguesi i nivelit të barit tregon volumin e barit të kositur.

- Kur koshi i barit nuk është plot, treguesi qëndron pezull gjatë kositisjes.
- Kur koshi i barit është plot, treguesi nuk qëndron pezull gjatë kositisjes. Në këtë rast, ndaloni menjëherë kositjen dhe boshatisni koshin. Pasi të boshatisni koshin, pastrojeni në mënyrë që rrjeta e saj të lejojë kalimin e ajrit.

SHËNIM: Treguesi është udhëzues i përafërt. Në varësi të gjendjes brenda koshit, ky tregues mund të mos funksionojë siç duhet.

Përdorimi i aksesorit të plehërimit

Aksesor opsional

Aksesori i plehërimit ju lejon që ta ktheni barin e prerë në tokë pa e mbledhur barin e prerë në koshin e barit. Kur e përdorni makinerinë me aksesoriin e plehërimit, sigurohuni që të hiqni koshin e barit.

VINI RE: Kur e përdorni makinerinë me aksesoriin e plehërimit, sigurohuni që gjatësia totale e barit të jetë 30 mm ose më shumë, ose gjatësia e prerjes është 15 mm ose më pak.

► **Fig.22:** (1) 30 mm ose më shumë (2) 15 mm ose më pak

PËRDORIMI

Kositja

▲ PARALAJMËRIM: Përpara se të nisni kositjen, hiqni gurët dhe shkopinjët nga zona e kositisjes. Më pas, hiqni paraprakisht bimët e mëdha nga zona e kositisjes.

▲ PARALAJMËRIM: Vendosni gjithmonë syzet mbrojtëse ose syzet e sigurisë me mbrojtëse në anë gjatë përdorimit të kositësës.

▲ KUJDES: Nëse brenda në trupin e kositësës bllokohet bar i prerë ose ndonjë objekt i huaj, sigurohuni që të hiqni çelësin e bllokimit dhe kutinë e baterisë dhe të vishni doreza përpara se të hiqni barin ose objektin e huaj.

VINI RE: Përdoreni këtë makineri vetëm për kositjen e barit dekorativ. Mos kositni barërat e këqija me këtë makineri.

► **Fig.23**

Gjatë kositisjes mbajeni fort me të dyja duart dorezën.

Si udhëzues shpejtësia e kositisjes është rreth 1 metër në 4 sekonda.

► **Fig.24**

Anët e jashtme të rrotave të përparme janë udhëzuese për gjerësinë e kositisjes. Duke e përdorur anët e jashtme të rrotave të përparme si udhëzuese, kositni në vija gjatësore. Mbivendosni një të dytën deri në një të tretën e shiritit të mëparshëm për të kositur barin në mënyrë të njëtrajtshme.

► **Fig.25:** 1. Gjerësia e kositisjes 2. Zona e mbivendosjes 3. Ana e jashtme

Ndryshoni drejtimin e kositisjes çdo herë për të mos lejuar që motivi i barit të formohet vetëm në një drejtim.

► **Fig.26**

Kontrolloni periodikisht koshin e barit për barin e kositur. Zbrazeni barin përpara se të mbushet. Përpara çdo kontrolli periodik, sigurohuni që ta keni ndaluar kositësën, më pas hiqni çelësin e bllokimit dhe kutinë e baterisë.

VINI RE: Përdorimi i kositësës kur koshi i barit është plot parandalon rrotullimin pa probleme të fletës dhe ngarkon më tepër motorin, gjë e cila mund të çojë në prishjen e tij.

Kositja e barit të gjatë

Mos u mundoni të prisni barin e gjatë me një kalim. Në vend të kësaj, kositeni barin në disa hapa. Lini një ose dy ditë kohë mes kositjeve derisa barit të ketë gjatësi të njëtrajtshme.

SHËNIM: Kositja e barit të gjatë në gjatësi të shkurtër brenda një dite mund të bëjë që barit të thahet. Bari i prerë gjithashtu mund të bllokohet brenda trupit të kositëses.

Boshatisja e koshit të barit

PARALAJMËRIM: Për të ulur rrezikun e aksidentit, kontrolloni rregullisht koshin e barit për dëmtime ose rënie të fuqisë. Zëvendësoni koshin e barit nëse është e nevojshme.

1. Lëshoni levën e çelësit.
2. Hiqni çelësin e bllokimit.
3. Hapni kapakun e pasmë dhe nxirri koshin e barit duke e mbajtur nga doreza.
► **Fig.27:** 1. Kapaku i pasmë 2. Doreza
4. Boshatisni koshin e barit.

MIRËMBAJTJA

PARALAJMËRIM: Sigurohuni gjithmonë që çelësi i bllokimit dhe kutia e baterisë të hiqen nga kositësja përpara ruajtjes ose transportimit të kositëses ose përpara se të përpiqeni të kryeni inspektimin ose mirëmbajtjen e saj.

PARALAJMËRIM: Gjithmonë hiqni çelësin e bllokimit kur kositësja nuk është në përdorim. Çelësin e bllokimit ruajeni në një vend të sigurt larg fëmijëve.

PARALAJMËRIM: Vini gjithmonë doreza kur kryeni një inspektim ose mirëmbajtje.

PARALAJMËRIM: Vendosni gjithmonë syzet mbrojtëse ose syzet e sigurisë me mbrojtëse anësore gjatë kryerjes së inspektimit ose të mirëmbajtjes.

VINI RE: Mos përdorni kurrë benzinë, benzinë pastrimi, hollues, alkool dhe të ngjashme. Mund të shkaktoni çngjyrosje, deformime ose krisje.

Për të ruajtur SIGURINË dhe QËNDRUESHMËRINË, riparimet dhe çdo mirëmbajtje apo rregullim tjetër duhen kryer nga qendrat e autorizuar të shërbimit ose të shërbimit të fabrikës të Makita-s, duke përdorur gjithnjë pjesë këmbimi të Makita-s.

Mirëmbajtja

1. Hiqni çelësin e bllokimit. Ruajeni atë në një vend të sigurt larg fëmijëve.
2. Pastrojeni kositësen duke përdorur vetëm një copë të njomë. Mos spërkasni ose derdhni ujë në kositëse gjatë pastrimit.
3. Kthejeni kositësen në anë dhe pastroni barin e prerë që ka ngjitur në pjesën e poshtme të kositëses.
4. Kontrolloni të gjitha dadot, bulonat, dorezat, vidat, mbërthyeset, etj., nëse janë shtrënguar mire.

5. Inspektoni pjesët e lëvizshme për dëmtim, thyerje dhe konsumim. Pjesët e dëmtuara ose që mungojnë duhet të riparohen ose zëvendësohen.

Ruajtja

PARALAJMËRIM: Kur transportoni ose magazinoni kositësen, mos mbani dorezat e palosura, por dorezën e përparme të kositëses. Nëse e mbani nga dorezat e palosura, mund të lëndoheni vetë ose të dëmtoni kositësen.

Përpara se të ruani kositësen, hiqni kutinë e baterisë dhe çelësin e bllokimit. Kositësen ruajeni në një vend të mbyllur, të freskët, të thatë dhe të kyçur. Mos e ruani kositësen dhe karikuesin në vende ku temperatura mund të arrijë ose tejkalojë 40 °C.
► **Fig.28:** 1. Mbjajtësja e përparme 2. Mbjajtësja e pasme

1. Lironi vidat shtrënguese dhe hapeni dorezën e poshtme në të dyja anët. Lëvizeni poshtë dorezën përpara. Gjatë kësaj kohe, shtrëngoni fort dorezën e poshtme në mënyrë që doreza të mos bjerë shumë poshtë nga vegla.
► **Fig.29:** 1. Vida e mbërthimit 2. Doreza e poshtme
2. Lironi dadot shtrënguese dhe rrotulloni dorezën e sipërme pas duke hapur të dyja anët.
► **Fig.30:** 1. Dadoja e mbërthimit 2. Doreza e sipërme
3. Vendosni koshin e barit mes dorezës dhe trupit të kositëses.
► **Fig.31:** 1. Koshi i barit

SHËNIM: Kur e vendosni kositësen në pozicionin drejt, mos e mbani dorezën por përdorni dorezën e përparme të kositëses.

Heqja ose instalimi i diskut të kositëses

PARALAJMËRIM: Hiqni gjithmonë çelësin e bllokimit dhe kutinë e baterisë kur hiqni ose instaloni diskut. Mosheqja e çelësit të bllokimit dhe kutisë së baterisë mund të shkaktojë lëndime serioze.

PARALAJMËRIM: Disku rrëshqet për disa sekonda pasi keni lëshuar çelësin. Mos nisni asnjë punë derisa disku të ndalojë plotësisht.

PARALAJMËRIM: Mbani gjithmonë doreza kur punoni me diskut.

Heqja e fletës së kositëses

Për DLM382

1. Vendosni kositësen në anë në mënyrë të tillë që leva për rregullimin e lartësisë së kositjes të vijë në anën e sipërme.
2. Për të bllokuar rrotullimin e fletës, futni një kaçavidë apo një vegël të ngjashme në vrimën në trupin e kositëses.
3. Rrotulloni bulonin në drejtim të kundërt të akrepave të orës me anë të çelësit.
► **Fig.32:** 1. Disku i kositëses 2. Kaçavida 3. Çelësi
4. Hiqni bulonin dhe fletën në rëndin e duhur.
► **Fig.33:** 1. Mbështetësja e fletës 2. Disku i kositëses 3. Buloni

Për DLM432

1. Vendoseni kositësen në anë në mënyrë të tillë që leva për rregullimin e lartësisë së kositjes të vijë në anën e sipërme.
2. Për të bllokuar rrotullimin e fletës, futni një kaçavidë apo një vegël të ngjashme në vrimën në trupin e kositëses.
3. Rrotulloni bulonin në drejtim të kundërt të akrepave të orës me anë të çelësit.
► **Fig.34:** 1. Disku i kositëses 2. Kaçavida 3. Çelësi
4. Hiqni bulonin, flanxhën e jashtme, diskun e kositëses dhe flanxhën e brendshme, sipas rendit.
► **Fig.35:** 1. Flanxa e brendshme 2. Disku i kositëses 3. Flanxa e jashtme 4. Buloni

Instalimi i fletës së kositëses

Për të instaluar diskun e kositëses, kryeni procedurën e anasjelltë të heqjes.

▲ PARALAJMËRIM: Instalojeni fletën e kositëses me kujdes. Ai ka një anë të sipërme/të poshtme. Vendoseni fletën në mënyrë të tillë që shigjeta e drejtimit të rrotullimit të jetë e drejtuar nga poshtë.

▲ PARALAJMËRIM: Shtrengoni fort bulonin në drejtim orar për të siguruar diskun.

▲ PARALAJMËRIM: Sigurohuni që fleta e kositëses dhe të gjitha pjesët fiksuese të jenë instaluar saktësisht dhe të shtrenguara mirë.

▲ PARALAJMËRIM: Kur zëvendësoni disqet, gjithmonë ndiqni udhëzimet që jepen në këtë manual.

NDREQJA E DEFEKTEVE

Përpara se të kërkonti riparime bëni inspektimet tuaja. Nëse zbuloni ndonjë problem që nuk shpjegohet në manual, mos u mundoni të çmontoni veglën. Por për riparime drejtojueni Qendrave të Autorizuara të Shërbimit Makita, duke përdorur gjithmonë pjesë zëvendësuese Makita.

Gjendja anormale	Shkaku i mundshëm (keqfunksionimi)	Zgjidhja
Kositësja nuk ndizet.	Dy kutitë e baterisë nuk janë instaluar.	Instaloni kutitë e karikuar të baterisë.
	Problem me baterinë (nën tension)	Rikarikoni kutinë e baterisë. Nëse rikarikimi nuk është efikas, zëvendësoni kutinë e baterisë.
	Çelësi i bllokimit nuk është futur.	Futni çelësin e bllokimit.
Motori ndali punën pas një përdorimi të vogël.	Niveli i karikimit të baterisë është i ulët.	Rikarikoni kutinë e baterisë. Nëse rikarikimi nuk është efikas, zëvendësoni kutinë e baterisë.
	Lartësia e prerjes është tepër e ulët.	Rrisni lartësinë e prerjes.
Motori nuk arrin RPM maksimale.	Kutia e baterisë nuk është instaluar mirë.	Instaloni kutinë e baterisë siç përshkruhet në këtë manual.
	Fuqia e baterisë bie.	Rikarikoni kutinë e baterisë. Nëse rikarikimi nuk është efikas, zëvendësoni kutinë e baterisë.
	Sistemi i lëvizjes nuk funksionon mirë.	Kërkojini qendrës lokale të autorizuar të shërbimit që ta riparojë.
Fleta e kositëses nuk rrotullohet: ⇒ ndalojeni menjëherë kositësen!	Pranë diskut ka ngecur objekt i huaj si p.sh. dëgë.	Hiqni objektin e huaj.
	Sistemi i lëvizjes nuk funksionon mirë.	Kërkojini qendrës lokale të autorizuar të shërbimit që ta riparojë.
Dridhje jonormale: ⇒ ndalojeni menjëherë kositësen!	Disku është i pabalancuar, është tepër i konsumuar ose është konsumuar në mënyrë jo të njëtrajtshme.	Zëvendësoni diskun.

AKSESORË OPSIONALE

▲ KUJDES: Këta aksesorë ose shtojca rekomandohen për përdorim me veglën Makita të përcaktuar në këtë manual. Përdorimi i aksesorëve apo shtojcave të tjera ndryshe nga këto mund të përbëjë rrezik lëndimi. Aksesorët ose shtojcat përdorini vetëm për qëllimin e tyre të përcaktuar.

- Disku i kositëses
- Aksesori i plehërimit
- Bateri dhe ngarkues origjinal Makita

SHËNIM: Disa artikuj të listës mund të përfshihen në paketën e veglës si aksesorë standardë. Ato mund të ndryshojnë nga njëri shtet në tjetrin.

Nëse keni nevojë për më shumë të dhëna në lidhje me aksesorët, pyesni qendrën vendore të shërbimit të Makita-s.

СПЕЦИФИКАЦИИ

Модел:		DLM382	DLM432
Ширина на косене (диаметър на диска)		380 мм	430 мм
Обороти на празен ход		3 700 мин ⁻¹	3 600 мин ⁻¹
Номер на част на резервен диск на косачката		191D41-2	191D43-8
Размери (Д x Ш x В)	по време на работа	Д: 1 380 мм до 1 410 мм Ш: 450 мм В: 985 мм до 1 005 мм	Д: 1 435 мм до 1 490 мм Ш: 460 мм В: 1 005 мм до 1 045 мм
	по време на съхранение (без кошницата за трева)	860 мм x 450 мм x 475 мм	865 мм x 460 мм x 475 мм
Номинално напрежение		Постоянно напрежение 36 V	
Нетно тегло		16,2 - 16,9 кг	16,8 - 17,5 кг

- Поради нашата непрекъсната научно-развойна дейност посочените тук спецификации могат да бъдат променени без предизвестие.
- Спецификациите може да са различни в различните държави.
- Теглото може да се различава в зависимост от принадлежността(ите), включително акумулаторната батерия. Най-леката и най-тежката комбинация в съответствие с процедурата на ЕРТА 01/2014 са показани в таблицата.

Приложима акумулаторна батерия

BL1815N / BL1820 / BL1820B / BL1830 / BL1830B / BL1840 / BL1840B / BL1850 / BL1850B / BL1860B

- Някои от акумулаторните батерии, посочени по-горе, може да не са налични в зависимост от региона на местоживеене.

▲ ПРЕДУПРЕЖДЕНИЕ: Използвайте само посочените по-горе акумулаторни батерии.

Използването на други акумулаторни батерии може да причини нараняване и/или пожар.

Символи

По-долу са описани символите, използвани за тази машина. Задължително се запознайте с техните значения, преди да пристъпите към работа.



Необходимо е особено внимание.



Прочетете ръководството за експлоатация.



Опасност; внимавайте за изхвърчащи предмети.



Разстоянието между инструмента и намиращите се наоколо хора трябва да бъде поне 15 м.



Никога не поставяйте ръцете и краката си близо до режещите ножове под косачката. Ножовете продължават да се въртят и след изключването на двигателя.



Извадете блокиращия ключ преди проверка, настройка, почистване, обслужване, оставяне и съхранение на косачката.



Само за страни от ЕС

Не изхвърляйте електрооборудване или акумулаторни батерии с битовите отпадъци!

При спазване на Европейската директива относно отпадъците от електрическо и електронно оборудване и директивата относно батерии и акумулатори и отпадъци от батерии и акумулатори и приложението им съгласно националното законодателство, бракуваното електрическо оборудване и батерии и пакет(и) батерии трябва да се събират отделно и да се връщат в места за рециклиране, съобразени с изискванията за опазване на околната среда.

Предназначение

Машината е предназначена за косене на тревни площи.

Шум

Обичайното ниво на шума с тегловен коефициент А, определено съгласно EN60335-2-77:

Модел DLM382

Ниво на звуково налягане (L_{pA}): 81 dB(A)

Ниво на звукова мощност (L_{WA}): 91 dB(A)

Коефициент на неопределеност (K): 3 dB(A)

Модел DLM432

Ниво на звуково налягане (L_{pA}): 81 dB(A)

Ниво на звукова мощност (L_{WA}): 92 dB(A)

Коефициент на неопределеност (K): 3 dB(A)

ЗАБЕЛЕЖКА: Обявената(ите) стойност(и) на шумовите емисии е(са) измерена(и) в съответствие със стандартни методи за изпитване и може да се използва(т) за сравняване на инструменти.

ЗАБЕЛЕЖКА: Обявеното(ите) стойност(и) на шумови емисии може да се използва(т) също и за предварителна оценка на вредното въздействие.

▲ ПРЕДУПРЕЖДЕНИЕ: Използвайте предпазни средства за слуха.

▲ ПРЕДУПРЕЖДЕНИЕ: Нивото на шума при работа с електрическия инструмент може да се различава от обявената(ите) стойност(и) в зависимост от начина на използване на инструмента, по-специално какъв детайл се обработва.

▲ ПРЕДУПРЕЖДЕНИЕ: Задължително определете предпазни мерки за защита на оператора въз основа на оценка на риска в реални работни условия (като се вземат предвид всички етапи на работния цикъл, като например момента на изключване на инструмента, работата на празен ход, както и времето на задействане).

Вибрации

Общата стойност на вибрациите (сума от три осови вектора), определена съгласно EN60335-2-77:

Модел DLM382

Ниво на вибрациите (a_h): 2,5 m/s^2 или по-малко
Коефициент на неопределеност (K): 2,0 m/s^2

Модел DLM432

Ниво на вибрациите (a_h): 2,5 m/s^2 или по-малко
Коефициент на неопределеност (K): 1,5 m/s^2

ЗАБЕЛЕЖКА: Обявената(ите) обща(и) стойност(и) на вибрациите е(са) измерена(и) в съответствие със стандартни методи за изпитване и може да се използва(т) за сравняване на инструменти.

ЗАБЕЛЕЖКА: Обявената(ите) обща(и) стойност(и) на вибрациите може да се използва(т) също и за предварителна оценка на вредното въздействие.

▲ ПРЕДУПРЕЖДЕНИЕ: Нивото на вибрациите при работа с електрическия инструмент може да се различава от обявената(ите) стойност(и) в зависимост от начина на използване на инструмента, по-специално какъв детайл се обработва.

▲ ПРЕДУПРЕЖДЕНИЕ: Задължително определете предпазни мерки за защита на оператора въз основа на оценка на риска в реални работни условия (като се вземат предвид всички етапи на работния цикъл, като например момента на изключване на инструмента, работата на празен ход, както и времето на задействане).

ЕО декларация за съответствие

Само за европейските страни

ЕО декларацията за съответствие е включена като Анекс А към тази инструкция за употреба.

ПРЕДУПРЕЖДЕНИЯ ЗА БЕЗОПАСНОСТ

ВАЖНИ ИНСТРУКЦИИ ЗА БЕЗОПАСНОСТ

▲ ПРЕДУПРЕЖДЕНИЕ: Прочетете всички предупреждения за безопасност и всички инструкции. При неспазване на предупрежденията и инструкциите има опасност от токов удар, пожар и/или тежко нараняване.

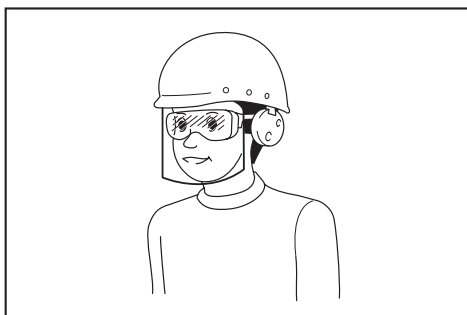
Запазете всички предупреждения и инструкции за справка в бъдеще.

Обучение

1. Прочетете инструкциите внимателно. Запознайте се с органите за управление и правилата за правилна експлоатация на косачката.
2. Никога не допускате деца или лица, непознати с инструкциите, да използват косачката. Местните закони могат да предвиждат ограничения за възрастта на оператора.
3. Никога не работете с косачката в близост до хора, особено деца или домашни любимци.
4. Не забравяйте, че операторът/потребителят носи отговорност за инциденти или опасни ситуации с други лица или тяхната собственост.
5. Децата трябва да се наблюдават, за да не се допусне да си играят с уреда.
6. Физическо състояние – не работете с косачката, когато се намирате под въздействие на наркотици, алкохол или каквито и да е лекарства.

Подготовка

1. Когато работите с косачката, винаги носете високи и солидни обувки и дълги панталони. Не работете с косачката боси или обути с открити сандали. Не носете свободно падащи дрехи или бижута, или такива с висящи верижки или връзки. Може да бъдат захванати от движещите се части.
2. Преди да започнете работа, винаги оглеждайте косачката за повреди, липсващи или разместени предпазители или щитове.
3. Преди да пристъпите към косене се уверете, че в зоната на косене няма други хора. Спрете косачката, ако някой влезе в зоната на косене.
4. Не поставяйте фиксиращия ключ в косачката, докато уредът не е напълно готов за експлоатация.
5. Когато използвате електрически инструменти, винаги носете защитни очила, за да предпазите очите си от нараняване. Очилата трябва да съответстват на ANSI Z87.1 в САЩ, EN 166 в Европа или AS/NZS 1336 в Австралия/Нова Зеландия. Освен това, в Австралия/Нова Зеландия има законово изискване за носене на маска за защита на лицето.



Работодателят е длъжен да наложи използването на подходящи предпазни средства от операторите на инструментите и всички лица, намиращи се непосредствено в работната зона.

6. Преди да пристъпите към работа, проверете внимателно за пукнатини или повреди по дисковете или болтовете им. Незабавно сменете напуканите или повредени дискове или болтове на дисковете.
7. Отстранете твърди предмети като камъни, тел, бутилки, кости и големи клонки от работния район преди косене, за да предотвратите нараняване или повреда на косачката.
8. Обекти, ударени от диска на косачката, могат да нанесат сериозни наранявания на хора. Тревната площ трябва винаги внимателно да се оглежда и почиства от всички обекти преди всяко косене.
9. Следете за дупки, коловози, неравности, камъни или други скрити предмети. При неравен терен е възможно да настъпят инциденти от хлъзване и падане. Високата трева може да крие препятствия.

Работа

1. Не се пресягайте. Винаги пазете баланс. Винаги стъпвайте стабилно, когато сте на наклон. Ходете, никога не тичайте.
2. Спрете косачката, отстранете фиксиращия ключ и се уверете, че всички движещи се части са напълно спрели:
 - когато оставяте косачката,
 - преди почистване на блокиране или освобождаване на изходния ръкав;
 - преди проверка, почистване или работа по косачката,
 - след удар с външен предмет. Преди повторно пускане в ход и работа, проверете косачката за повреди и извършете необходимия ремонт,
 - когато косачката започне да вибрира необичайно.
3. Никога не работете с машина с дефектни предпазители или щитовете или без поставени предпазни средства, например дефлектори и/или кошница за тревата.
4. Избягвайте да използвате косачката при лоши атмосферни условия, особено когато има риск от светкавица.
5. По всяко време на работа с косачката да се носят защитни средства за очите и здрави обувки.

6. Работете с косачката само на дневна светлина или на добро изкуствено осветление.
7. Внимателно включете двигателя съгласно инструкциите, като държите краката си далече от ножа(овете).
8. Вземете мерки срещу нараняване на краката и ръцете от диска на косачка.
9. Винаги проверявайте дали вентилационните отвори са чисти от замърсявания.
10. Косете наклонени тревни площи, като се придвижвате напречно, а не нагоре и надолу. Бъдете изключително внимателни, когато сменяте посоката при работа върху наклон. Не косете прекалено стръмни склонове.
11. Бъдете изключително внимателни, когато обръщате посоката на движение или дърпате косачката към себе си.
12. Спрете ножа(овете), ако косачката трябва да се наклони за транспортиране при пресичане на терен, различен от трева, и при транспортиране на косачката до и от зоната, на която ще се използва.
13. Не накланяйте косачката при включване на двигателя освен ако тя не трябва да се наклони за стартиране. В този случай не я накланяйте повече от абсолютно необходимото и повдигайте само частта, която е отделена от оператора. Двете ви ръце винаги трябва да бъдат в работно положение, преди да поставите отново косачката на земята.
14. Не поставяйте ръце или крака в близост до или под въртящи се части. Никога не заставайте пред изходния отвор.
15. Не транспортирайте косачката, докато косачката е включена.
16. Не работете с косачката в мокра трева.
17. Никога не работете с косачката в дъждовно време.
18. Винаги дръжте здраво ръкохватката.
19. Когато вдигате или държите косачката, не я хващайте за подаващите се режещи ножове или режещи ръбове.
20. Дръжте ръцете и краката си далеч от въртящите се ножове. Вниманието – ножовете се движат по инерция след изключването на косачката.
21. Ако забележите нещо необичайно, незабавно спрете работа. Изключете косачката и извадете фиксиращия ключ. След това проверете косачката.
22. Никога не се опитвайте да регулирате височината на рязане, докато косачката работи, в случай, че косачката има функция за коригиране на височината на рязане.
23. Освободете лоста на прекъсвача и изчакайте да спре въртенето на дисковете, преди да пресечете алеи, пътеки, пътища и покрити с чакъл участъци. Освен това, изваждайте фиксиращия ключ, когато оставяте косачката, пресягате се да вземете или премахнете предмети от пътя или поради други причини, които може да ви разсеят от работата.

24. Ако косачката удари предмет, изпълнете следните стъпки:
 - Спрете косачката, освободете лоста на прекъсвача и изчакайте до пълното спиране на ножовете.
 - Извадете фиксиращия ключ и акумулаторната батерия.
 - Щателно проверете косачката за повреди.
 - Сменете ножа, ако е повреден по какъвто и да е начин. Ремонтирайте евентуални повреди, преди отново да стартирате и да продължите работа с косачката.
25. Не стартирайте двигателя, когато стоите пред изходния ръкав.
26. Ако косачката започне да вибрира ненормално (проверете незабавно)
 - проверете за повреди,
 - сменете или ремонтирайте всички повредени части;
 - проверете и затегнете разхлабени части.
27. Никога не насочвайте изхвърляната трева към човек. Избягвайте насочването на изхвърляната трева към стена или препятствие. Окосената трева може да рикошира назад към оператора. Спрете диска, когато пресичате покрити с чакъл повърхности.
28. Не дърпайте косачката назад, освен ако не е абсолютно необходимо. Когато се налага да върнете косачката поради ограда или друго подобно препятствие, погледнете надолу и назад, преди и докато движите машината назад.
29. Спрете електромотора и преди да демонтирате приспособлението за хващане на трева, изчакайте, докато ножът спре напълно. Имайте предвид, че режещите инструменти продължават да се въртят и след като са били изключени.

Техническа поддръжка и съхранение

1. За осигуряване на безопасност, сменете износените или повредени части. Използвайте само оригинални резервни части и принадлежности.
 2. Редовно проверявайте и поддържайте косачката.
 3. Когато не се използва, съхранявайте косачката извън обсега на деца.
 4. За да сте сигурни, че оборудването е в добро работно състояние, поддържайте всички гайки, болтове и винтове здраво затегнати.
 5. Проверявайте често кошницата за трева за износване или влошено състояние. При съхранение винаги проверявайте дали кошницата за трева е празна. Сменете износената кошница за трева с нова, фабрична, по съображения за безопасност.
 6. Използвайте само оригиналните ножове от производителя, посочени в настоящото ръководство.
 7. Внимавайте при настройка на косачката да не захванете пръстите си между движещите се ножове и неподвижните части на косачката.
 8. Не мийте с маркуч; внимавайте да не попада вода в двигателя и електрическите връзки.
9. Периодично проверявайте дали свързващият болт е правилно затегнат.
 10. Винаги оставайте косачката да се охлади преди съхранение.
 11. Когато обслужвате ножовете, имайте предвид, че макар електрозахранването да е изключено, ножовете все още могат да се движат.
 12. Никога не отстранявайте и не нарушавайте целостта на предпазните устройства. Проверявайте редовно тяхното правилно функциониране. Никога не правете нещо, което да попречи на функционирането по предназначение на някое от предпазните устройства или да понижи степента на защита, осигурявана от дадено предпазно устройство.

Ползване и грижа за акумулаторните батерии

1. Презареждайте само със зарядното устройство, което е посочено от производителя. Зарядно устройство, което е подходящо за едни акумулаторни батерии, може да създаде риск от пожар, ако се използва с други акумулаторни батерии.
2. Използвайте електрическите инструменти само с акумулаторни батерии, конкретно предназначени за тях. Използването на други акумулаторни батерии може да създаде риск от нараняване и пожар.
3. Когато акумулаторните батерии не се използват, ги дръжте далече от други метални предмети като кламери, монети, ключове, пирони, винтове или други дребни такива, които могат да дадат накъсо изводите им. Закъсяването на изводите на акумулаторна батерия може да предизвика изгаряния или пожар.
4. При грубо манипулиране е възможно изхвърляне на течност от батериите; избягвайте контакт с тях. При случайни докосване изплакнете с вода. Ако течност попадне в очите, потърсете допълнително и медицинска помощ. Изхвърлената от батерията течност може да предизвика възпаления или изгаряния.
5. Не използвайте батерията или инструмента, който е повреден или променен. Повредените или променените батерии могат да проявяват непредвидимо поведение, което може да доведе до пожар, експлозия или опасност от нараняване.
6. Не излагайте батерията или инструмента на огън или прекомерна температура. Излагането на огън или температура над 130°C може да доведе до експлозия.
7. Спазвайте всички инструкции за зареждане и не зареждайте батерията или инструмента извън диапазона на температура, посочен в инструкциите. Неправилното зареждане или при температура извън посочения диапазон може да доведе до повреда на батерията и да повиши опасността от пожар.

Безопасност при работа с електрически ток и акумулаторната батерия

1. **Не изхвърляйте акумулаторната(ите) батерия(и) в огън.** Клетките на батерията могат да експлодират. Проверете местните разпоредби за евентуални специални инструкции за унищожаване.
2. **Не отваряйте или повреждайте акумулаторната батерия(и).** Изтичащият електролит има разяждащо действие и може да увреди очите или кожата. Може да бъде токсичен при поглъщане.
3. **Не зареждайте батерията под дъжд или на влажни места.**
4. **Не зареждайте акумулаторната батерия на открито.**
5. **Не хващайте зарядното устройство, включително щепсела и изводите му, с мокри ръце.**

Сервизно обслужване

1. **Дайте вашия електрически инструмент за сервизно обслужване от квалифициран техник, който ползва само оригинални резервни части.** Така ще осигурите поддържането на безопасността на електрическия инструмент.
2. **Никога не обслужвайте повредени батерии.** Обслужването на батерии трябва да се извършва само от производителя или упълномощени фирми за обслужване.

ЗАПАЗЕТЕ НАСТОЯЩИТЕ ИНСТРУКЦИИ.

▲ПРЕДУПРЕЖДЕНИЕ: НЕ позволявайте комфорта от познаването на продукта (придобит при дългата му употреба) да замени стриктното спазване на правилата за безопасност за въпросния продукт.

НЕПРАВИЛНАТА УПОТРЕБА и неспазването на правилата за безопасност, посочени в настоящото ръководство за експлоатация, може да доведе до тежки наранявания.

Важни инструкции за безопасност за акумулаторната батерия

1. **Преди да използвате акумулаторната батерия, прочетете всички инструкции и предупредителни маркировки на (1) зарядното устройство за батериите, (2) за батериите и (3) за използващия батериите продукт.**
2. **Не разглобявайте акумулаторните батерии.**
3. **Ако мощността на машината намалее много, веднага спрете да работите.** Това може да доведе до риск от прегряване, до възможни изгаряния и даже до експлозии.
4. **Ако в очите ви попадне електролит, изплакнете ги с чиста вода и веднага потърсете лекарска помощ.** Това може да доведе до загуба на зрението ви.

5. Не давайте на късо акумулаторните батерии:

- (1) **Не докосвайте клемите с проводими материали.**
- (2) **Избягвайте съхраняването на акумулаторните батерии в контейнер с други метални предмети като пирони, монети и други подобни.**
- (3) **Не излагайте акумулаторните батерии на вода или дъжд.**

Закъсяването на акумулаторна батерия може да доведе до протичане на много силен ток, до прегряване, до възможни изгаряния и даже до разпадане на батерията.

6. **Не съхранявайте инструмента и акумулаторните батерии на места, където температурата може да достигне или надмине 50 °C (122 °F).**
7. **Не изгаряйте акумулаторните батерии даже и ако те са сериозно повредени или напълно износени.** Акумулаторната батерия може да експлодира в огън.
8. **Внимавайте да не изпускате или удряте акумулаторната батерия.**
9. **Не използвайте повредени акумулаторни батерии.**
10. **Съдържащите се литиево-йонни акумулаторни батерии са обект на изискванията на законодателството за опасни стоки.** При търговски превози, напр. от трети страни, спедитори, трябва да се спазват специални изисквания за опаковане и етикетироване. За подготовка на артикула, който трябва да бъде изпратен, е необходима консултация с експерт по опасните материали. Моля, спазвайте и евентуално по-подробните национални разпоредби. Запелете с лента или покрийте откритите контакти и опаковайте акумулаторната батерия по такъв начин, че да не може да се премества в опаковката.
11. **При изхвърляне на акумулаторната батерия я извадете от инструмента и я изхвърлете на подходящо място.** Спазвайте местните разпоредби за изхвърляне на акумулаторни батерии.
12. **Използвайте батериите само с продуктите, определени от Makita.** Поставянето на батериите към неодобрени продукти може да предизвика пожар, прегряване, взрив или изтичане на електролит.
13. **Ако инструментът няма да се използва продължително време, батерията трябва да се извади от него.**

ЗАПАЗЕТЕ НАСТОЯЩИТЕ ИНСТРУКЦИИ.

▲ВНИМАНИЕ: Използвайте само оригинални акумулаторни батерии на Makita. При използване на различни от акумулаторните батерии на Makita или стари акумулаторни батерии може да се получи пръскане на акумулаторната батерия, което да доведе до пожар, нараняване или повреда. Това също ще анулира гаранцията на Makita за инструмента и зарядното устройство Makita.

Съвети за поддържане на максимално дълъг живот на акумулаторните батерии

1. Зареждайте акумулаторните батерии, преди те да са се разреждали напълно. Когато забележите, че мощността на инструмента намалява, винаги спирайте работата с инструмента и заредете акумулаторната батерия.
2. Никога не презареждайте напълно заредена акумулаторна батерия. Презарядът скъсява експлоатационния живот на батерията.
3. Зареждайте акумулаторната батерия при стайна температура от 10 °C – 40 °C (50 °F – 104 °F). Оставете заргетите акумулаторни батерии да се охладят, преди да ги зареждате.
4. Заредете акумулаторната батерия, ако не сте го използвали дълъг период от време (повече от шест месеца).

СГЛОБЯВАНЕ

▲ ПРЕДУПРЕЖДЕНИЕ: Винаги проверявайте дали деблокиращият ключ и акумулаторната батерия са отстранени, преди да извършвате каквато и да е дейност по косачката. Ако не отстраните деблокиращия ключ и акумулаторната батерия, може да се получи тежко нараняване поради инцидентно стартиране.

▲ ПРЕДУПРЕЖДЕНИЕ: Никога не стартирайте косачката, ако не е напълно сглобена. Работата на машината в частично сглобено състояние може да доведе до тежки наранявания поради случайно стартиране.

Поставяне на капака на акумулатора

▲ ПРЕДУПРЕЖДЕНИЕ: Не вкарвайте деблокиращия ключ и акумулаторната батерия, преди да сте сложили капака на акумулатора. В противен случай съществува опасност от тежко нараняване.

Монтирайте напълно капака на акумулатора преди да започнете работа. Капакът на акумулаторната батерия защитава косачката и акумулаторната батерия от кал, замърсявания и вода.

1. Поставете капака на акумулаторната батерия така, че изпъкналостите на косачката да са центрирани с отворите на капака на батерията.
▶ **Фиг.1:** 1. Издатък 2. Отвор 3. Капак на акумулатора
2. Поставете ръцете си в средата на капака на акумулатора и го натиснете.
▶ **Фиг.2**
3. Преди да започнете работа, проверете дали шарнирът на капака на акумулатора е закрепен правилно. Ако капакът на акумулатора е монтиран правилно, той няма да се отваря докато не бъде издърпано деблокиращото лостче на капака на акумулатора.
▶ **Фиг.3:** 1. Шарнир 2. Деблокиращо лостче на капака на акумулатора

Монтиране на ръкохватката

БЕЛЕЖКА: Когато монтирате ръкохватки, разполагайте кабелите така, че да не бъдат захванати между ръкохватките. Ако кабелът се повреди, косачката може да не работи.

1. Плъзнете двата края на долната ръкохватка в каналите на косачката и след това затегнете докрай притискащите винтове.
▶ **Фиг.4:** 1. Притискащ винт 2. Долна ръкохватка
2. Подравнете отворите за винтовете на горната и долната ръкохватка. Закрепете ги с притискащите винтове и гайките.
▶ **Фиг.5:** 1. Притискателна гайка 2. Притискащ винт

ЗАБЕЛЕЖКА: Задържете горната ръкохватка здраво, така че да не пада от ръката ви.

3. Закрепете държачите на ръкохватката. Разположете захранващия кабел, както е показано на фигурата.
▶ **Фиг.6:** 1. Държач

Сваляне на приставката за мулчиране

Допълнителна принадлежност

1. Отворете задния капак.
▶ **Фиг.7:** 1. Заден капак
2. Хванете приставката за мулчиране за ръкохватката и я изтеглете от корпуса на косачката, както е показано на фигурата.
▶ **Фиг.8:** 1. Приставка за мулчиране 2. Ръкохватка

Монтиране на кошницата за трева

1. Отворете задния капак.
▶ **Фиг.9:** 1. Заден капак
2. Окачете кошницата за трева на задвижващата щанга на корпуса на косачката, както е показано на фигурата.
▶ **Фиг.10:** 1. Кука 2. Прът 3. Кошница за трева

Монтиране на приставката за мулчиране

Допълнителна принадлежност

1. Отворете задния капак и извадете кошницата за трева.
▶ **Фиг.11:** 1. Заден капак 2. Кошница за трева
2. Хванете приставката за мулчиране за ръкохватката и я закрепете на корпуса на косачката, както е показано на фигурата.
▶ **Фиг.12:** 1. Приставка за мулчиране 2. Ръкохватка

ОПИСАНИЕ НА ФУНКЦИТЕ

Поставяне и изваждане на акумулаторната батерия

⚠ВНИМАНИЕ: Винаги изключвайте машината преди поставяне или изваждане на акумулаторната батерия.

⚠ВНИМАНИЕ: Преди употреба проверявайте дали сте заключили капака на акумулатора. В противен случай кал, мръсотия или вода може да повредят продукта или акумулаторната батерия.

⚠ВНИМАНИЕ: Винаги поставяйте акумулаторната батерия докрай, така че червеният индикатор да не се вижда. В противен случай акумулаторната батерия може да изпадне случайно от машината, да Ви нарани или да нарани някого около Вас.

⚠ВНИМАНИЕ: Не инсталирайте акумулаторната батерия със сила. Ако батерията не се движи свободно, тя не е била поставена правилно.

ЗАБЕЛЕЖКА: Машината не работи само с една акумулаторна батерия.

За да поставите акумулаторната батерия;

1. Плъзнете деблокиращото лостче на капака на акумулатора и отворете капака на акумулатора.

► **Фиг.13:** 1. Капак на акумулатора 2. Деблокиращо лостче на капака на акумулатора

2. Подравнете езика на акумулаторната батерия с прореза на косачката, след това плъзнете батерията, докато застане на мястото си и се чуе леко цракване.

► **Фиг.14:** 1. Акумулаторна батерия

3. Поставете деблокиращия ключ на мястото му, докъдето стигне, както е показано на фигурата.

► **Фиг.15:** 1. Деблокиращ ключ

4. Затворете капака на акумулатора и го натискайте, докато се заключи с деблокиращото лостче.

За да извадите акумулаторната батерия от косачката;

1. Плъзнете деблокиращото лостче на капака на акумулатора и отворете капака на акумулатора.

2. Дърпайте акумулаторната батерия навън от косачката, като плъзнете бутона в предната част на батерията.

3. Извадете деблокиращия ключ.

4. Затворете капака на акумулатора.

Предпазна система на машината/ акумулаторната батерия

Машината е снабдена със система за защита на машината/акумулаторната батерия. Тази система автоматично прекъсва захранването към електромотора, за да осигури по-дълъг живот на инструмента и акумулаторната батерия. Машината ще спре автоматично по време на работа, ако тя или батерията се намират в едно от следните състояния.

Защита срещу претоварване

Когато машината се използва по начин, който води до необичайно висока консумация на ток, тя спира автоматично без никаква индикация. В този случай изключете машината и преустановете приложението, което я претоварва. След това включете машината за повторно стартиране.

Защита срещу прегряване

Когато машината прегрее, тя спира автоматично. Оставете машината да се охлади, преди да я включите отново.

Защита срещу прекомерно разреждане

Когато капацитетът на акумулаторната батерия спадне, машината спира автоматично. Ако продуктът не работи дори при задействане на ключовете му, извадете батериите от машината и ги заредете.

Индикация на оставащия капацитет на акумулаторната батерия

► **Фиг.16:** 1. Индикатор за батерията

Когато оставащият капацитет на акумулаторната батерия спадне, индикаторът на акумулаторната батерия мига от страната на съответната батерия. Ако продължите да използвате машината, тя ще спре, а индикаторът на акумулаторната батерия ще свети за около 10 секунди. В тази ситуация е необходимо да заредите акумулаторната батерия.

Индикация на оставащия капацитет на акумулаторната батерия

Само за акумулаторни батерии с индикатор

► **Фиг.17:** 1. Светлинни индикатори 2. Бутон за проверка

Натиснете бутона за проверка на акумулаторната батерия за показване на оставащия заряд на батерията. Светлинните индикатори ще светнат за няколко секунди.

Светлинни индикатори			Оставащ заряд на батерията
Свети	Изкл.	Мига	
■	□	▧	75% до 100%
■ ■ ■ ■	■ ■ ■ ■	■ ■ ■ ■	
■ ■ ■ ■	■ ■ ■ ■	■ ■ ■ ■	50% до 75%
■ ■ ■ ■	■ ■ ■ ■	■ ■ ■ ■	25% до 50%
■ ■ ■ ■	■ ■ ■ ■	■ ■ ■ ■	0% до 25%
▧	□ □ □ □	□ □ □ □	Заредете батерията.
■ ■ ■ ■	□ □ □ □	■ ■ ■ ■	Батерията може да не работи правилно.
□ □ □ □	■ ■ ■ ■	■ ■ ■ ■	

ЗАБЕЛЕЖКА: В зависимост от условията на употреба и околната температура е възможно показанията леко да се различават от действителния капацитет.

Включване

▲ ПРЕДУПРЕЖДЕНИЕ: Преди поставянето на акумулаторната батерия, винаги проверявайте дали лостът на прекъсвача се задейства правилно и се връща в първоначална позиция при освобождаване. Работа с машината с прекъсвач, който не функционира правилно, може да доведе до загуба на контрол и до сериозно телесно нараняване.

ЗАБЕЛЕЖКА: Косачката не стартира без натискане на включващия бутон, дори ако лостът на прекъсвача е изтеглен.

ЗАБЕЛЕЖКА: Косачката може да се стартира в следствие на претоварване при опит за косене на дълга или гъста трева. В този случай увеличете височината на косене.

Тази косачка е оборудвана с блокиращ ключ и ръкохватка с ключ. Ако забележите нещо необичайно с някой от тези превключватели, незабавно спрете работа и занесете машината в най-близкия оторизиран сервисен център на Makita, за да ги проверят.

1. Поставете касетите на акумулаторната батерия. Поставете деблокиращия ключ в блокиращия превключвател и след това затворете капака на акумулатора.

► **Фиг.18:** 1. Акумулаторна батерия 2. Деблокиращ ключ

2. Натиснете включващия бутон и го задръжте.

3. Хванете горната ръкохватка и издърпайте лоста на прекъсвача.

► **Фиг.19:** 1. Включващ бутон 2. Лост на прекъсвача

4. Освободете включващия бутон, веднага щом двигателят се стартира. Косачката ще продължи да работи, докато освободите лоста на прекъсвача.

5. За спиране на двигателя отпуснете лоста на прекъсвача.

Регулиране на височината на косене

▲ ПРЕДУПРЕЖДЕНИЕ: Никога не поставяйте ръце или крака под тялото на косачката, когато регулирате височината на косене.

▲ ПРЕДУПРЕЖДЕНИЕ: Винаги проверявайте дали лостът се фиксира добре в жлеба преди работа.

Височината на косене може да се настройва в диапазона между 20 мм и 75 мм.

1. Отстранете деблокиращия ключ.

2. Издърпайте лоста за регулиране на височината на косене навън от тялото на косачката и го преместете на желаната височина на косене.

► **Фиг.20:** 1. Лост за регулиране на височината на косене

ЗАБЕЛЕЖКА: Цифрите за височина на косене са само справочни. В зависимост от условията на тревната площ или земята, височината на косене може да се различава малко от зададената височина.

ЗАБЕЛЕЖКА: Изпробвайте регулировката с тестово окосяване на не много видимо място, за да получите желаната височина.

Индикатор за нивото на тревата

► **Фиг.21:** 1. Индикатор за нивото на тревата

Индикаторът за нивото на тревата показва обема на събраната трева.

- Когато кошницата за трева не е пълна, индикаторът се движи по време на косенето.
- Когато кошницата за трева е пълна, индикаторът не се движи по време на косенето. В този случай веднага спрете косачката и изпразните кошницата. След като я изпразните, почистете я така, че мрежата да позволява вентилиране.

ЗАБЕЛЕЖКА: Този индикатор е само груб ориентир. В зависимост от условията вътре в кошницата, този индикатор може да не функционира правилно.

Използване на приставка за мулчиране

Допълнителна принадлежност

Приставката за мулчиране ви дава възможност да връщате окосената трева на земята, без да я събирате в кошницата за трева. Когато използвате приставка за мулчиране с машината, трябва да свалите кошницата за трева.

БЕЛЕЖКА: Когато използвате машината с приставката за мулчиране, уверете се, че цялата височина на тревата е 30 мм или повече, или височината на отрязване е 15 мм или по-малко.

► **Фиг.22:** (1) 30 мм или повече (2) 15 мм или по-малко

Експлоатация

Косене

▲ ПРЕДУПРЕЖДЕНИЕ: Преди да пристъпите към косене, разчистете всички пръчки и камъни от тревната площ, която ще косите. Освен това разчистете предварително плевелите от площта за косене, ако има такива.

▲ ПРЕДУПРЕЖДЕНИЕ: Винаги носете предпазни очила със странични екрани, когато работите с косачката.

▲ ВНИМАНИЕ: Ако в корпуса на косачката заседнат отрязана трева или чужди предмети, преди да ги отстраните, се уверете, че сте извадили фиксиращия ключ и акумулаторната батерия и сте сложили ръкавици.

БЕЛЕЖКА: Използвайте тази машина само за косене на тревни площи. Не косете плевели с нея.

► **Фиг.23**

Дръжте здраво ръкохватката с две ръце, когато косите.

Ориентировъчната скорост на косене е приблизително 1 метър за 4 секунди.

► **Фиг.24**

Външните ръбове на предните колела са ориентир за ширината на косене. Използвайте външните ръбове на предните колела като ориентир, косете на ленти. Припокривайте половината от една трета от предходната лента, за да окосите тревната площ равномерно.

► **Фиг.25:** 1. Ширина на косене 2. Зона на припокриване 3. Външен ръб

Променяйте всеки път посоката на косене, за да предотвратите образуването на зърниста структура на тревата само в една посока.

► **Фиг.26**

Периодично проверявайте окосената трева, която се намира в кошницата за трева. Изпразвайте тревата, преди тя да се напълни. Преди всяка периодична проверка не пропускайте да спрете косачката и да отстраните деблокиращия ключ и акумулаторната батерия.

БЕЛЕЖКА: Използването на косачката за трева с пълна кошница за трева пречи на плавното въртене на ножа и допълнително натоварва двигателя, което може да доведе до авария.

Косене на тревна площ с висока трева

Не опитвайте да окосите висока трева с едно минаване. Окосете тревната площ на няколко пъти. Между отделните окосявания оставайте ден или два, докато тревата стане еднакво къса.

ЗАБЕЛЕЖКА: Косенето на висока трева много късо на едно минаване може да доведе до загниване на тревата. Отрязаната трева може също да засядне в тялото на косачката.

Изпразване на кошницата за трева

▲ ПРЕДУПРЕЖДЕНИЕ: За да намалите опасността от инциденти, редовно проверявайте кошницата за трева за повреди или отслабване. Ако е необходимо, сменете кошницата за трева.

1. Освободете лоста на прекъсвача.
2. Отстранете деблокиращия ключ.
3. Отворете задния капак и извадете кошницата за трева, като я държите за ръкохватката.
► **Фиг.27:** 1. Заден капак 2. Дръжка
4. Изпразнете кошницата за трева.

ПОДДРЪЖКА

▲ ПРЕДУПРЕЖДЕНИЕ: Винаги проверявайте дали фиксиращият ключ и акумулаторната батерия са извадени от косачката преди съхранение или пренасяне на косачката, или преди да пристъпите към проверка или техническо обслужване.

▲ ПРЕДУПРЕЖДЕНИЕ: Винаги изваждайте деблокиращият ключ, когато косачката не се използва. Съхранявайте деблокиращия ключ на недостъпно за деца място.

▲ ПРЕДУПРЕЖДЕНИЕ: Носете предпазни ръкавици при извършване на проверка или техническо обслужване.

▲ ПРЕДУПРЕЖДЕНИЕ: Винаги носете предпазни очила със странични протектори, когато извършвате проверка или техническо обслужване.

БЕЛЕЖКА: Не използвайте бензин, нафта, разредител, спирт и др. подобни. Това може да причини обезцветяване, деформация или пукнатини.

За да се поддържа БЕЗОПАСНОСТТА и НАДЕЖНОСТТА на продукта, ремонтите, поддръжката или регулирането трябва да се извършват от упълномощен сервиз или фабрични сервизни центрове на Makita, като винаги трябва да използвате резервни части от Makita.

Техническо обслужване

1. Отстранете деблокиращия ключ. Съхранявайте го на безопасно, недостъпно за деца място.
2. Почиствайте косачката само с мека кърпа. Не пръскайте или заливайте с вода косачката при чистене.
3. Поставете косачката на едната и страна и почистете късчетата трева, които са се натрупали по долната страна на платформата на косачката.
4. Проверете стелента на затягане на всички гайки, болтове, завъртащите се превключватели, фиксатори и др.
5. Проверете движещите се части за повреди, счупвания или износване. Повредените или липсващите части трябва да се ремонтират или сменят.

Съхранение

▲ ПРЕДУПРЕЖДЕНИЕ: Когато носите или съхранявате косачката, не дръжте сгънатите ръкохватки, а предната дръжка на косачката. Ако я държите само за сгънатите ръкохватки, има опасност от тежко нараняване или повреда на косачката.

Преди съхранение на косачката, махнете акумулаторната батерия и фиксиращия ключ. Съхранявайте косачката в хладно, сухо и заключено помещение. Не съхранявайте косачката и зареждащото устройство на места, където температурата може да достигне или превиши 40 °C.

► **Фиг.28:** 1. Предна дръжка 2. Задна дръжка

1. Развийте притискащите винтове и удължете долната ръкохватка от двете страни. Преместете ръкохватката надолу и напред. Същевременно дръжте здраво предната дръжка, за да не падне към отдалечената страна на тялото на косачката.

► **Фиг.29:** 1. Притискащ винт 2. Долна ръкохватка

2. Развийте притискащите болтове и завъртете горната ръкохватка назад, както удължавате двете страни.

► **Фиг.30:** 1. Притискателна гайка 2. Горна ръкохватка

3. Съхранявайте кошницата за трева между ръкохватката и тялото на косачката.

► **Фиг.31:** 1. Кошница за трева

ЗАБЕЛЕЖКА: Когато изправяте косачката, не съгъвайте ръкохватката, а използвайте предната дръжка на косачката.

Демонтиране и монтиране на диска на косачката

▲ ПРЕДУПРЕЖДЕНИЕ: Когато демонтирате или монтирате ножа, винаги отстранявайте деблокиращия ключ и акумулаторната батерия. Ако не отстраните деблокиращия ключ и акумулаторната батерия, може да се получи тежко нараняване.

▲ ПРЕДУПРЕЖДЕНИЕ: Ножът се върти по инерция няколко секунди след освобождаване на ключа. Не започвайте никаква работа, докато ножът не спре напълно.

▲ ПРЕДУПРЕЖДЕНИЕ: Винаги носете ръкавици, когато боравите с ножа.

Сваляне на диска на косачката

За DLM382

1. Поставете косачката настрани, така че лостът за регулиране на височината на косене да е от горната страна.

2. За блокиране на движението на диска вкарайте отвертка или подобен инструмент в отвор в корпуса на косачката.

3. Въртете болта обратно на часовниковата стрелка, с гаечен ключ.

► **Фиг.32:** 1. Диск на косачката 2. Отвертка
3. Гаечен ключ

4. Свалете болта и диска на косачката в този ред.

► **Фиг.33:** 1. Опора на диска 2. Диск на косачката
3. Болт

За DLM432

1. Поставете косачката настрани, така че лостът за регулиране на височината на косене да е от горната страна.

2. За блокиране на движението на диска вкарайте отвертка или подобен инструмент в отвор в корпуса на косачката.

3. Въртете болта обратно на часовниковата стрелка, с гаечен ключ.

► **Фиг.34:** 1. Диск на косачката 2. Отвертка
3. Гаечен ключ

4. Демонтирайте последователно болта, външния фланец, диска на косачката и вътрешния фланец.

► **Фиг.35:** 1. Вътрешен фланец 2. Диск на косачката 3. Външен фланец 4. Болт

Монтиране на диска на косачката

За да монтирате диска на косачката, изпълнете процедурата за сваляне в обратния ред.

▲ ПРЕДУПРЕЖДЕНИЕ: Монтирайте внимателно диска на косачката. Той има горна и долна страна. Поставете ножа по такъв начин, че стрелката за посоката на въртене да е насочена навън.

▲ ПРЕДУПРЕЖДЕНИЕ: Затегнете здраво болта по часовниковата стрелка, за да закрепите ножа.

▲ ПРЕДУПРЕЖДЕНИЕ: Уверете се, че дискът на косачката и всички закрепващи части са монтирани правилно и затегнати здраво.

▲ ПРЕДУПРЕЖДЕНИЕ: Когато сменяте ножове, винаги следвайте посочените в това ръководство инструкции.

ОТСТРАНЯВАНЕ НА НЕИЗПРАВНОСТИ

Преди да заявите ремонт, сами извършете проверка. Ако установите проблем, който не е обяснен в ръководството, не се опитвайте да разглобявате инструмента. Вместо това го занесете в някой от оторизирани сервиси на Makita, които винаги използват за ремонтите резервни части от Makita.

Състояние на неизправност	Възможно причина (неизправност)	Мерки за отстраняване
Косачката не стартира.	Не са поставени две акумулаторни батерии.	Поставете заредени акумулаторни батерии.
	Проблем с батерията (ниско напрежение)	Заредете акумулаторната батерия. Ако зареждането не е ефективно, сменете акумулаторната батерия.
	Не е вкаран деблокиращият ключ.	Вкарайте деблокиращия ключ.
След кратко използване, двигателят спира да работи.	Нивото на заряда на акумулатора е ниско.	Заредете акумулаторната батерия. Ако зареждането не е ефективно, сменете акумулаторната батерия.
	Височината на рязане е прекалено малка.	Увеличете височината на рязане.
Двигателят не може да достигне максималните обороти.	Акумулаторната батерия е поставена неправилно.	Поставете акумулаторната батерия, както е описано в настоящото ръководство.
	Енергията на батерията спада.	Заредете акумулаторната батерия. Ако зареждането не е ефективно, сменете акумулаторната батерия.
	Задвижващата система не работи нормално.	Обърнете се към местния упълномощен сервис за извършване на ремонт.
Дискът на косачката не се върти: ⇒ спрете веднага косачката!	Близко до ножа е заседнал външен предмет, например клон.	Махнете външния предмет.
	Задвижващата система не работи нормално.	Обърнете се към местния упълномощен сервис за извършване на ремонт.
Ненормални вибрации: ⇒ спрете веднага косачката!	Ножът е дебалансиран, прекалено или неравномерно е износен.	Сменете ножа.

ДОПЪЛНИТЕЛНИ АКСЕСОАРИ

⚠ ВНИМАНИЕ: Препоръчва се използването на тези аксесоари или накрайници с вашия инструмент Makita, описан в настоящото ръководство. Използването на други аксесоари или накрайници може да доведе до опасност от телесни повреди. Използвайте съответния аксесоар или накрайник само по предназначение.

Ако имате нужда от помощ за повече подробности относно тези аксесоари, се обърнете към местния сервизен център на Makita.

- Диск на косачката
- Приставка за мулчиране
- Оригинална акумулаторна батерия и зарядно устройство на Makita

ЗАБЕЛЕЖКА: Някои артикули от списъка може да са включени в комплекта на инструмента, като стандартни аксесоари. Те може да са различни в различните държави.

SPECIFIKACIJE

Model:		DLM382	DLM432
Širina košenja (promjer oštrice)		380 mm	430 mm
Brzina bez opterećenja		3.700 min ⁻¹	3.600 min ⁻¹
Kataloški broj zamjenske oštrice kosilice		191D41-2	191D43-8
Dimenzije (D x Š x V)	tijekom rada	D: 1.380 mm – 1.410 mm Š: 450 mm V: 985 mm – 1.005 mm	D: 1.435 mm – 1.490 mm Š: 460 mm V: 1.005 mm – 1.045 mm
	prilikom skladištenja (bez koša za travu)	860 mm x 450 mm x 475 mm	865 mm x 460 mm x 475 mm
Nazivni napon		DC 36 V	
Neto težina		16,2 – 16,9 kg	16,8 – 17,5 kg

- Zahvaljujući našem stalnom programu razvoja i istraživanja, navedene specifikacije podložne su promjenama bez obavijesti.
- Specifikacije mogu biti različite ovisno o zemlji.
- Težina se može razlikovati ovisno o opremi, uključujući baterijski uložak. Najlakša i najteža kombinacija, sukladno postupku EPTA 01/2014, prikazane su u nastavku.

Odgovarajući baterijski uložak

BL1815N / BL1820 / BL1820B / BL1830 / BL1830B / BL1840 / BL1840B / BL1850 / BL1850B / BL1860B

- Neki od navedenih baterijskih uložaka možda neće biti dostupni ovisno o regiji u kojoj se nalazite.

⚠ UPOZORENJE: Upotrebite samo navedene baterijske uloške. Upotreba bilo koje druge vrste baterijskih uložaka može prouzročiti ozljede i/ili požar.

Simboli

U nastavku su prikazani simboli koji se koriste za opremu. Prije korištenja provjerite jeste li razumjeli njihovo značenje.

	Potreban poseban oprez i pozornost.
	Pročitajte priručnik s uputama.
	Opasnost; pazite na izbačene predmete.
	Udaljenost između alata i promatrača mora biti najmanje 15 m.
	Nikad ne stavljajte ruke i stopala blizu oštrice ispod kosilice. Oštrice se nastavljaju okretati i nakon isključivanja motora.
	Izvadite ključ prije pregledavanja, podešavanja, čišćenja, servisiranja, ostavljanja i skladištenja kosilice.
	Samo za države EU Nemojte odlagati električnu opremu ili bateriju zajedno s kućnim otpadom! Sukladno europskim direktivama o otpadnoj električnoj i elektroničkoj opremi, baterijama i akumulatorima te otpadnim baterijama i akumulatorima te njihovoj primjeni sukladno nacionalnim zakonima, električna oprema i baterije na kraju vijeka trajanja moraju se zasebno prikupiti i vratiti u ekološki kompatibilno postrojenje za recikliranje.

Namjena

Stroj je namijenjen za košenje travnjaka.

Buka

Tipična jačina buke označena s A, određena sukladno EN60335-2-77:

Model DLM382

Razina tlaka zvuka (L_{pA}) : 81 dB (A)
Razina snage zvuka (L_{WA}) : 91 dB (A)
Neodređenost (K): 3 dB (A)

Model DLM432

Razina tlaka zvuka (L_{pA}) : 81 dB (A)
Razina snage zvuka (L_{WA}) : 92 dB (A)
Neodređenost (K): 3 dB (A)

NAPOMENA: Deklarirana vrijednost emisije buke izmjerena je prema standardnoj metodi testiranja i može se rabiti za usporedbu jednog alata s drugim.

NAPOMENA: Deklarirana vrijednost emisije buke također se može rabiti za preliminarnu procjenu izloženosti.

⚠ UPOZORENJE: Nosite zaštitu za uši.

⚠ UPOZORENJE: Emisija buke tijekom stvarnog korištenja električnog ručnog alata se može razlikovati od deklariranih vrijednosti emisije, ovisno o načinu na koji se alat rabi, posebice ovisno o tome kakav se izradak izrađuje.

⚠ UPOZORENJE: Nemojte zaboraviti da identifikirate sigurnosne mjere zaštite rukovatelja koje se temelje na procjeni izloženosti u stvarnim uvjetima korištenja (uzimajući u obzir sve dijelove radnog ciklusa, poput vremena kada je alat isključen i kada on radi u praznom hodu, a također i vrijeme okidanja).

Vibracija

Ukupna vrijednost vibracija (troosni vektorski zbir) izračunata u skladu s EN60335-2-77:

Model DLM382

Emisija vibracija (a_h) : 2,5 m/s² ili manje
Neodređenost (K): 2,0 m/s²

Model DLM432

Emisija vibracija (a_h) : 2,5 m/s² ili manje
Neodređenost (K): 1,5 m/s²

NAPOMENA: Deklarirana vrijednost ukupnih vibracija izmjerena je prema standardnoj metodi testiranja i može se rabiti za usporedbu jednog alata s drugim.

NAPOMENA: Deklarirana vrijednost ukupnih vibracija također se može rabiti za preliminarnu procjenu izloženosti.

⚠ UPOZORENJE: Emisija vibracija tijekom stvarnog korištenja električnog ručnog alata se može razlikovati od deklariranih vrijednosti emisije, ovisno o načinu na koji se alat rabi, posebice ovisno o tome kakav se izradak izrađuje.

⚠ UPOZORENJE: Nemojte zaboraviti da identifikirate sigurnosne mjere zaštite rukovatelja koje se temelje na procjeni izloženosti u stvarnim uvjetima korištenja (uzimajući u obzir sve dijelove radnog ciklusa, poput vremena kada je alat isključen i kada on radi u praznom hodu, a također i vrijeme okidanja).

Izjava o sukladnosti EZ

Samo za države članice Europske unije

Izjava o sukladnosti EZ u privitku je Priloga A ovih uputa za upotrebu.

SIGURNOSNA UPOZORENJA

VAŽNE SIGURNOSNE UPUTE

⚠ UPOZORENJE: Pročitajte sva sigurnosna upozorenja i sve upute. Nepridržavanje upozorenja ili uputa može rezultirati strujnim udarom, požarom i/ili ozbiljnom ozljedom.

Sačuvajte sva upozorenja i upute radi kasnijeg korištenja.

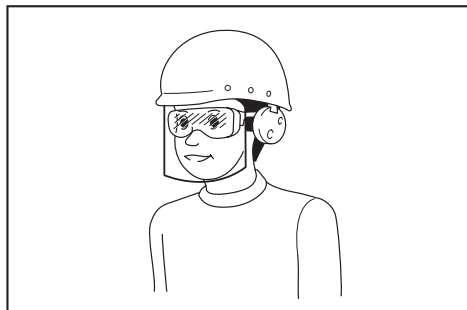
Obuka

1. Pažljivo pročitajte upute. Upoznajte se s kontrolama i pravilnim korištenjem kosilice.
2. Nikada nemojte dopustiti djeci ili osobama koje nisu upoznate s uputama da upotrebljavaju kosilicu. Dob rukovatelja može biti ograničena lokalnim propisima.
3. Nikada ne rukujte kosilicom u blizini ljudi, osobito djece ili kućnih ljubimaca.

4. Imajte na umu da je rukovatelj ili korisnik odgovoran za nesreće ili opasnosti koje se mogu dogoditi drugim ljudima ili njihovoj imovini.
5. Djeca moraju biti pod nadzorom kako bi se zajamčilo da se ne igraju kosilicom.
6. Fizičko stanje - nemojte rukovati kosilicom pod utjecajem opojnih sredstava, alkohola ili bilo kakvih lijekova.

Priprema

1. Tijekom rukovanja kosilicom uvijek nosite čvrstu obuću i duge hlače. Kosilicom ne rukujte bosi ili u otvorenim sandalama. Izbjegavajte nošenje široke odjeće ili nakita koji imaju viseće rese ili vezice. Pokretni dijelovi mogu ih zahvatiti.
2. Prije upotrebe uvijek pregledajte sadrži li kosilica oštećene ili pogrešno postavljene štitnike ili zaštitne elemente ili oni pak nedostaju.
3. Prije košenja provjerite da nema drugih ljudi u radnom prostoru. Zaustavite kosilicu ako itko uđe u radni prostor.
4. Nemojte umetati ključ u kosilicu dok ne bude spremna za upotrebu.
5. Uvijek nosite zaštitne naočale kako biste zaštitili oči od ozljeđivanja električnim uređajima. Naočale moraju biti u skladu s normom ANSI Z87.1 u SAD-u, EN 166 u Europi ili AS/NZS 1336 u Australiji/Novom Zelandu. U Australiji/Novom Zelandu također je zakonski propisano nošenje maske za lice radi zaštite lica.



Poslodavac je odgovoran za provedbu mjere obveznog nošenja zaštitne opreme za rukovatelje i druge osobe u neposrednom radnom okruženju pri rukovanju alatom.

6. Prije rada pažljivo provjerite ima li pukotina ili oštećenja na oštricama ili na vijcima oštrice. Odmah zamijenite napuknute ili oštećene oštrice ili vijke oštrice.
7. Uklonite strane predmete kao što su kamenje, žice, boce, kosti i veće grane iz radnog prostora prije košenja kako biste spriječili osobne ozljede i oštećenje kosilice.
8. Predmeti udareni oštricom kosilice za travu mogu uzrokovati ozbiljne ozljede. Travnjak uvijek treba pažljivo pregledati i treba ukloniti sve predmete prije košenja.
9. Pregledajte postoje li rupe, brazde, kamenje ili drugi skriveni predmeti. Neravan teren može dovesti do gubitka ravnoteže i pada. Visoka trava može sakriti prepreke.

Rad

1. Ne približavajte se previše. U svakom trenutku održavajte ravnotežu. Uvijek održavajte stabilnost na nagibima. Hodajte, nikada ne trčite.
2. Isključite kosilicu i provjerite jesu li se svi pomični dijelovi u potpunosti zaustavili u sljedećim situacijama:
 - svaki put kada ostavljate kosilicu,
 - prije čišćenja blokada ili oslobađanja otvora za istovar,
 - prije provjera, čišćenja ili rada na kosilici,
 - nakon udara u strani predmet. Pregledajte je li kosilica oštećena i izvršite popravke prije ponovnog pokretanja i rukovanja kosilicom,
 - svaki put kada kosilica počne neuobičajeno vibrirati.
3. Nikada nemojte rukovati kosilicom s neispravnim štitnicima ili zaštitnim elementima ili bez postavljenih sigurnosnih uređaja, kao što su otklanjači i/ili koš za travu.
4. Izbjegavajte upotrebu kosilice u lošim vremenskim uvjetima, osobito kada postoji opasnost od munje.
5. Cijelo vrijeme dok upravljate kosilicom nosite zaštitne naočale i čvrstu obuću.
6. Rukujte strojem samo na danjem svjetlu ili pod dobrim umjetnim osvjetljenjem.
7. Pažljivo uključite kosilicu u skladu s uputama i držite stopala dovoljno udaljena od oštrice.
8. Pazite da vam oštrice kosilice ne ozlijede stopala ili ruke.
9. Provjerite jesu li otvori za zrak očišćeni od naslaga prljavštine.
10. Kosite ukoso na padinama, nikad u smjeru gore i dolje. Budite krajnje oprezni kod promjene smjera na padinama. Nemojte kositi na prestrim padinama.
11. Budite veoma oprezni kada se krećete unatrag ili vučete stroj prema sebi.
12. Zaustavite oštrice ako morate nagnuti kosilicu pri prelasku preko površina bez trave i prijenosu kosilice na površinu i s površine koju ćete kositi.
13. Nemojte naginjati kosilicu tijekom uključivanja motora, osim ako se kosilica mora nagnuti zbog pokretanja. U tom slučaju ne naginjite stroj više no što je potrebno i podignite samo dio koji je udaljen od rukovatelja. Obje ruke moraju biti u položaju za rad prije vraćanja kosilice na tlo.
14. Ne stavljajte ruke ili stopala blizu ili ispod rotirajućih dijelova. Uvijek stojite dalje od otvora za pražnjenje.
15. Kosilicu ne prenosite dok je uključena.
16. Izbjegavajte rukovanje strojem na mokroj travi.
17. Nikad ne radite s kosilicom po kiši.
18. Uvijek čvrsto držite ručku.
19. Nemojte hvatati izložene rezne oštrice ili rezne rubove prilikom dizanja ili držanja kosilice.
20. Držite ruke i stopala dalje od rotirajućih oštrica. Oprez - oštrice i dalje rade nakon isključivanja kosilice.
21. Odmah prekinite rad ako primijetite nešto neuobičajeno. Isključite kosilicu i uklonite ključ. Zatim pregledajte kosilicu.
22. Nikada nemojte pokušavati podesiti visinu rezanja dok je kosilica uključena ako ima mogućnost podešavanja visine rezanja.
23. Otpustite ručicu prekidača i pričekajte da se oštrice prestanu okretati prije prelaska preko prilaza, staza, cesta i bilo kakvog prostora prekrivenog šljunkom. Izvadite ključ i ako ostavljate kosilicu, pružite ruku kako biste nešto podigli ili maknuli s puta ili zbog bilo kojeg drugog razloga koji bi vas mogao ometi u poslu.
24. Ako kosilica udari strani predmet, učinite sljedeće:
 - Zaustavite kosilicu, otpustite polugu za uključivanje i pričekajte da se oštrica potpuno zaustavi.
 - Uklonite ključ i baterijski uložak.
 - Temeljito pregledajte je li kosilica oštećena.
 - Zamijenite oštricu ako je na bilo koji način oštećena. Popravite oštećeni dio prije ponovnog pokretanja i nastavka rada s kosilicom.
25. Ne pokrećite kosilicu dok stojite ispred otvora za pražnjenje.
26. Ako kosilica počne neuobičajeno vibrirati (odmah provjerite)
 - pregledajte je li oštećena,
 - zamijenite ili popravite oštećene dijelove,
 - provjerite ima li labavih dijelova i zategnite ih.
27. Nemojte usmjeravati ispražnjeni materijal prema nekome. Izbjegavajte pražnjenje materijala uza zid ili prepreku. Materijal se može odbiti prema rukovatelju. Pri prelasku šljunčanim površinama zaustavite oštricu.
28. Nemojte povlačiti kosilicu unatrag osim ako to nije nužno. Ako morate odmaknuti kosilicu od ograde ili drugih sličnih prepreka, pogledajte prema dolje i unatrag prije i tijekom pomicanja unatrag.
29. Isključite motor i pričekajte dok se oštrica u potpunosti ne zaustavi prije uklanjanja hvatača trave. Pazite da se oštrice ne pomiču nakon isključivanja.

Održavanje i skladištenje

1. Iz sigurnosnih razloga zamijenite istrošene ili oštećene dijelove. Upotrebijavajte samo originalne zamjenske dijelove i pribor.
2. Redovito pregledavajte i održavajte kosilicu.
3. Kada je ne koristite, kosilicu pohranite tako da ne bude dostupna djeci.
4. Sve matice i vijke držite zategnutima kako bi oprema bila u sigurnom radnom stanju.
5. Često provjeravajte stanje koša za travu zbog istrošenosti ili kvara. Kod odlaganja, uvijek provjerite je li koš za travu prazan. Iz sigurnosnih razloga, istrošeni koš za travu zamijenite novim, tvornički proizvedenim.
6. Koristite isključivo originalne oštrice proizvođača koje su navedene u ovom priručniku.
7. Budite oprezni prilikom podešavanja kosilice kako biste spriječili da pomične oštrice i fiksni dijelovi kosilice zahvate prste.

8. Ne perite crijevom, pazite da ne namočite motor i električne priključke vodom.
9. Redovito provjeravajte je li vijak za postavljajne oštrice ispravno zategnut.
10. Uvijek pustite da se kosilica ohladi prije skladištenja.
11. Tijekom servisiranja oštrica ne zaboravite da se oštrice i dalje mogu pomicati, čak i kad je izvor napajanja isključen.
12. Nemojte uklanjati niti mijenjati sigurnosne uređaje. Redovito provjeravajte funkcioniraju li ispravno. Nemojte poduzimati ništa što bi moglo utjecati na predviđenu funkciju sigurnosnog uređaja ili smanjiti zaštitu koju pruža sigurnosni uređaj.

Korištenje i održavanje alata na baterije

1. Baterije punite isključivo punjačem koji preporučuje proizvođač. Punjač koji je prikladan za jednu vrstu baterija može uzrokovati opasnost od požara ako se koristi za drugu vrstu baterija.
2. Ručni alat koristite isključivo s namjenskim i propisanim baterijama. Korištenje bilo koje druge vrste baterija može uzrokovati opasnost od ozljede i požara.
3. Kad ih ne koristite, baterije držite podalje od drugih metalnih predmeta poput spajalica, kovanica, ključeva, čavala, vijaka i drugih sitnih metalnih predmeta koji mogu uzrokovati spoj između polova. Spajanje polova baterije može uzrokovati opekline ili požar.
4. Pod djelovanjem sile tekućina može iscuriti iz baterije; izbjegavajte kontakt. Ako slučajno dođe do kontakta, isperite vodom. Ako tekućina dođe u dodir s očima, zatražite dodatnu liječničku pomoć. Tekućina izbačena iz baterije može uzrokovati nadraženost ili opekline.
5. Ne koristite oštećenu ili preinačenu bateriju ili alat. Oštećene ili preinačene baterije mogu se neočekivano ponašati te prouzročiti požar, eksploziju ili ozljede.
6. Ne izlažite bateriju ili alat plamenu ili previsokoj temperaturi. Izlaganje plamenu ili temperaturi višoj od 130 °C može prouzročiti eksploziju.
7. Pridržavajte se svih uputa za punjenje i nemojte puniti bateriju ili alat izvan temperaturnog raspona navedenog u uputama. Neispravno punjenje ili punjenje pri temperaturama izvan navedenog raspona mogu oštetiti bateriju i povećati opasnost od požara.

Električna sigurnost i sigurnost baterije

1. Bateriju/e ne bacajte u vatru. Čelija bi mogla eksplodirati. Provjerite u lokalnim propisima postoje li posebne upute za odlaganje.
2. Nemojte otvarati niti uništavati bateriju/e. Ispušteni elektrolit jest korozivan i može oštetiti oči ili kožu. Možete se otrovati ako ga progutate.
3. Ne puniti bateriju na kiši ili na mokrim mjestima.
4. Ne puniti bateriju na otvorenom.
5. Ne rukujte punjačem, uključujući utikač punjača, i priključcima punjača mokrim rukama.

Servisiranje

1. Neka vaš električni alat servisira kvalificirana osoba, koristeći samo identične rezervne dijelove. Na taj se način održava sigurnost električnog alata.
2. Nikada nemojte popravljati oštećene baterije. Popravak baterije smije obavljati samo proizvođač ili ovlašteni serviser.

ČUVAJTE OVE UPUTE.

▲ UPOZORENJE: NEMOJTE dozvoliti da udobnost ili znanje o proizvodu (stečeno stalnim korištenjem) zamijene strogo pridržavanje sigurnosnih propisa za određeni proizvod.

ZLOUPORABA ili nepridržavanje sigurnosnih propisa navedenih u ovom priručniku s uputama mogu prouzročiti ozbiljne ozljede.

Važne sigurnosne upute za bateriju

1. Prije uporabe baterije pročitajte sve upute i oznake upozorenja na (1) punjaču za baterije, (2) bateriji i (3) proizvodu koji koristi bateriju.
2. Ne rastavljajte bateriju.
3. Ako se vrijeme rada znatno skratilo, odmah prestanite raditi. Može doći do pregrijavanja, mogućih opekline pa čak i eksplozije.
4. Ako vam elektrolit dospje u oči, isperite ih čistom vodom i odmah se obratite liječniku. Tako možete izgubiti vid.
5. Nemojte kratko spajati bateriju:
 - (1) Ne dovodite terminala u kontakt s provodljivim materijalima.
 - (2) Ne čuvajte bateriju u spremniku s drugim metalnim predmetima poput čavala, kovanica itd.
 - (3) Ne izlažite bateriju vodi ili kiši. Kratki spoj baterije može uzrokovati velik protok struje, pregrijavanje, moguće opekline pa čak i kvar.
6. Ne držite alat i bateriju na mjestima gdje temperatura može premašiti 50 °C.
7. Ne spaljujte bateriju čak ni ako je ozbiljno oštećena ili potpuno istrošena. Baterija može eksplodirati u vatru.
8. Pazite da vam baterija ne ispadne ili da je ne udarite.
9. Ne koristite oštećene baterije.
10. Sadržane litij-ionske baterije podliježu odredbama zakonskih propisa o opasnim tvarima. Kada se radi o komercijalnom transportu koji obavlja npr. dobavljači ili špediteri, moraju se poštovati posebni zahtjevi na pakiranju i oznakama. Prilikom pripreme isporuke takve stavke potražite savjet stručnjaka za opasne tvari. Pogledajte i moguće detaljnije nacionalne propise. Prekrijte trakom ili zaštitite otvorene kontakte i bateriju zapakirajte tako da se ne može pomicati u pakiranju.
11. Kada odlažete baterijski uložak u otpad, uklonite ga iz alata i zbrinite na sigurnom mjestu. Pridržavajte se lokalnih zakonskih propisa za zbrinjavanje baterija.

12. **Upotrebljavajte baterije samo s proizvodima koje je odobrila tvrtka Makita.** Umetanje baterija u neprikladne proizvode može dovesti do požara, prekomjerne topline, eksplozije ili curenja elektrolita.
13. **Ako se alat ne upotrebljava dulje vrijeme, bateriju morate ukloniti iz alata.**

ČUVAJTE OVE UPUTE.

⚠ OPREZ: Uvijek upotrebljavajte originalne baterije Makita. Upotreba baterija koje nisu originalne baterije Makita ili su izmijenjene može dovesti do rasprskavanja baterije i uzrokovati požar, tjelesnu ozljedu ili štetu. To će također poništiti jamstvo tvrtke Makita za alat i punjač Makita.

Savjeti za održavanje najduljeg vijeka trajanja baterije

1. **Napunite bateriju prije nego što se potpuno isprazni. Uvijek zaustavite alat i napunite bateriju kad primijetite da alat slabije radi.**
2. **Nikad ne punite već do kraja napunjenu bateriju. Pretjerano punjenje skraćuje radni vijek baterije.**
3. **Bateriju punite na sobnoj temperaturi između 10 °C i 40 °C. Vruću bateriju prije punjenja ostavite da se ohladi.**
4. **Napunite bateriju ako je ne mislite koristiti duže vrijeme (duže od 6 mjeseci).**

MONTAŽA

⚠ UPOZORENJE: Obavezno uvijek izvadite ključ i bateriju prije radova na kosilici. Ako ne izvadite ključ i bateriju, može doći do ozbiljnih tjelesnih ozljeda zbog nenamjernog pokretanja.

⚠ UPOZORENJE: Nikad nemojte pokretati kosilicu ako nije potpuno sastavljena. Rad s djelomično sastavljenim strojem može dovesti do ozbiljnih tjelesnih ozljeda zbog nenamjernog pokretanja.

Postavljanje poklopca baterije

⚠ UPOZORENJE: Nemojte umetati ključ i bateriju prije postavljanja poklopca baterije. U protivnom može doći do ozbiljnih ozljeda.

Prije rada do kraja postavite poklopac baterije. Poklopac baterije štiti kosilicu i bateriju od blata, prljavštine i vode.

1. **Postavite poklopac baterije tako da su izbočenja na kosilici poravnata s rupama na poklopcu baterije.**
▶ **SI.1:** 1. Izbočina 2. Rupa 3. Poklopac baterije
2. **Postavite ruke na sredinu poklopca baterije i gurnite ga.**
▶ **SI.2**
3. **Prije prvog pokretanja provjerite je li uporišna točka poklopca baterije pravilno pričvršćena. Ako je poklopac baterije nepravilno postavljen, neće se otvoriti sve dok ne povučete polugu za zaključavanje poklopca baterije.**
▶ **SI.3:** 1. Uporišna točka 2. Poluga za zaključavanje poklopca baterije

Postavljanje ručke

NAPOMENA: Prilikom postavljanja ručki kabele namjestite tako da ih ne može zahvatiti ništa između ručki. Ako je kabel oštećen, prekidač kosilice možda neće raditi.

1. **Gurnite oba kraja donje ručke u utore kosilice, a zatim do kraja zategnite zatezne vijke.**
▶ **SI.4:** 1. Zatezni vijak 2. Donja ručka
2. **Poravnajte otvore za vijke gornje i donje ručke. Učvrstite ih zateznim vijcima i maticama.**
▶ **SI.5:** 1. Zatezna matica 2. Zatezni vijak

NAPOMENA: Čvrsto držite gornju ručku kako vam ne bi ispala iz ruke.

3. **Pričvrstite držače za ručku. Postavite kabel za napajanje kako je prikazano na slici.**
▶ **SI.6:** 1. Držač

Uklanjanje utikača za malčiranje

Dodatni pribor

1. **Otvorite stražnji poklopac.**
▶ **SI.7:** 1. Stražnji poklopac
2. **Držite ručku utikača za malčiranje i izvucite tijelo kosilice kako je prikazano na slici.**
▶ **SI.8:** 1. Utikač za malčiranje 2. Ručka

Postavljanje koša za travu

1. **Otvorite stražnji poklopac.**
▶ **SI.9:** 1. Stražnji poklopac
2. **Zakvačite koš za travu na šipku tijela kosilice kako je prikazano na slici.**
▶ **SI.10:** 1. Kuka 2. Šipka 3. Koš za travu

Pričvršćivanje utikača za malčiranje

Dodatni pribor

1. **Otvorite stražnji poklopac i zatim uklonite koš za travu.**
▶ **SI.11:** 1. Stražnji poklopac 2. Koš za travu
2. **Držite ručku utikača za malčiranje i pričvrstite tijelo kosilice kako je prikazano na slici.**
▶ **SI.12:** 1. Utikač za malčiranje 2. Ručka

FUNKCIONALNI OPIS

Umetanje ili uklanjanje baterije

⚠ OPREZ: Uvijek isključite stroj prije umetanja ili uklanjanja baterijskog uloška.

⚠ OPREZ: Obavezno zaključajte poklopac baterije prije upotrebe. U protivnom prašina ili voda mogu oštetiti proizvod ili bateriju.

⚠ OPREZ: Baterijski uložak uvijek umetnite do kraja tako da se ne može vidjeti crveni indikator. U suprotnom može slučajno ispasti iz stroja, što može dovesti do ozljede vas ili nekoga u blizini.

⚠ OPREZ: Ne umećite bateriju silom. Ako baterija ne klizne lagano, znači da nije ispravno umetnuta.

NAPOMENA: Stroj ne radi samo s jednim baterijskim uloškom.

Postavljanje baterije;

1. Povucite polugu za zaključavanje poklopca baterije i otvorite poklopac baterije.
▶ **Sl.13:** 1. Poklopac baterije 2. Poluga za zaključavanje poklopca baterije
2. Poravnajte jezičac na baterijskom ulošku s utorom na kosilici, a zatim pomičite bateriju dok ne sjedne na svoje mjesto uz tihi klik.
▶ **Sl.14:** 1. Baterija
3. Do kraja umetnite ključ u mjesto prikazano na slici.
▶ **Sl.15:** 1. Ključ

4. Zatvorite poklopac baterije i gurajte ga dok ga ne zahvati poluga za zaključavanje.

Uklanjanje baterije iz kosilice;

1. Povucite polugu za zaključavanje poklopca baterije i otvorite poklopac baterije.
2. Izvucite bateriju iz kosilice dok povlačite gumb na prednjoj strani baterije.
3. Izvucite ključ.
4. Zatvorite poklopac baterije.

Sustav zaštite stroja/baterije

Stroj je opremljen sustavom zaštite stroja/baterije. Sustav automatski prekida napajanje motora da bi produžio vijek trajanja alata i baterije. Stroj automatski prestaje raditi ako se stroj ili baterija nađu u nekom od sljedećih uvjeta.

Zaštita od preopterećenja

Kad se sa strojem radi na način pri kojem se troši neobičajeno puno struje, stroj se automatski zaustavlja bez ikakve signalizacije. U tom slučaju isključite stroj i prestanite ga upotrebljavati na način koji je izazvao preopterećenje. Zatim uključite stroj kako biste ga ponovno pokrenuli.

Zaštita od pregrijavanja

Ako se pregrije, stroj se automatski zaustavlja. Pričekajte da se stroj ohladi prije nego što ga ponovno uključite.

Zaštita od prekomjernog pražnjenja

Ako je kapacitet baterije pre slab, stroj se automatski zaustavlja. Ako proizvod ne radi ni nakon upotrebe prekidača, uklonite baterije iz stroja i napunite ih.

Prikaz preostalog kapaciteta baterije















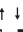


▶ **Sl.16:** 1. Pokazatelj kapaciteta baterije

Kada se preostali kapacitet baterije smanji, pokazatelj kapaciteta baterije treperi na strani primjenjive baterije. Daljnjom se upotrebom stroj zaustavlja, a pokazatelj kapaciteta baterije svijetli približno 10 sekundi. U tom slučaju napunite baterijski uložak.

Prikaz preostalog kapaciteta baterije

Samo za baterijske uloške s indikatorom

▶ **Sl.17:** 1. Žaruljice indikatora 2. Gumb za provjeru
Pritisnite gumb za provjeru na bateriji kako biste provjerili preostali kapacitet baterije. Žaruljica indikatora zasvijetlit će na nekoliko sekundi.

Žaruljice indikatora			Preostali kapacitet
 Svijetli	 Isključeno	 Treperi	
			75 % do 100 %
			50 % do 75 %
			25 % do 50 %
			0 % do 25 %
			Napunite bateriju.
			Baterija je možda neispravna.
			

NAPOMENA: Ovisno o uvjetima upotrebe i temperaturi okoline, prikaz indikatora može se donekle razlikovati od stvarnog kapaciteta.

Uključivanje i isključivanje

⚠ UPOZORENJE: Prije postavljanja baterijskog uloška uvijek provjerite radi li poluga za uključivanje ispravno i vraća li se u izvorni položaj kada se otpusti. Rad sa strojem na kojem sklopka ne radi ispravno može dovesti do gubitka kontrole i teških tjelesnih ozljeda.

NAPOMENA: Kosilica se neće pokrenuti ako ne pritisnete gumb za uključivanje čak i ako ste povukli polugu za uključivanje.

NAPOMENA: Zbog preopterećenja, kosilica se možda neće pokrenuti ako pokušate kositi visoku i gustu travu. U tom slučaju povećajte visinu košenja.

Ova je kosilica opremljena sklopkom za blokadu i sklopkom na ručki. Ako primijetite nešto neuobičajeno na bilo kojoj od ovih sklopki, odmah prekinite rad i pozovite ovlaštenu servisnu centar tvrtke Makita da ih pregleda.

1. Postavite baterije. Umetnite ključ u sklopku za blokadu i zatim zatvorite poklopac baterije.
▶ **SI.18:** 1. Baterija 2. Ključ
2. Pritisnite gumb za uključivanje i držite ga.
3. Uхватite gornju ručku i povucite polugu za uključivanje.
▶ **SI.19:** 1. Gumb za uključivanje 2. Poluga za uključivanje
4. Otpustite gumb za uključivanje čim se motor pokrene. Kosilica će i dalje raditi sve dok ne otpustite polugu za uključivanje.
5. Otpustite polugu za uključivanje da biste zaustavili motor.

Podešavanje visine košenja

⚠ UPOZORENJE: Nikad ne stavljajte ruku ili nogu ispod tijela kosilice prilikom podešavanja visine košenja.

⚠ UPOZORENJE: Uvijek provjerite pristaje li poluga ispravno u utor prije rada.

Visina košenja može se podesiti u rasponu od 20 mm do 75 mm.

1. Izvadite ključ.
2. Povucite polugu za podešavanje visine košenja iz tijela kosilice i pomaknite je do željene visine košenja.
▶ **SI.20:** 1. Poluga za podešavanje visine košenja

NAPOMENA: Brojke za visinu košenja treba upotrebljavati samo kao smjernice. Ovisno o uvjetima travnjaka ili tla, stvarna visina trave može se razlikovati od postavljene visine.

NAPOMENA: Košenje isprobajte na manje vidljivom mjestu kako biste dobili željenu visinu.

Pokazatelj razine trave

- ▶ **SI.21:** 1. Pokazatelj razine trave

Pokazatelj razine trave prikazuje obujam pokošene trave.

- Kada koš za travu nije pun, pokazatelj pluta tijekom košenja.
- Kada je koš za travu pun, pokazatelj ne pluta tijekom košenja. U tom slučaju odmah prekinite košenje i ispraznite koš. Nakon pražnjenja koša očistite ga tako da mrežica ventilira zrak.

NAPOMENA: Ovaj pokazatelj služi samo kao informacija. Ovisno o uvjetima u unutrašnjosti koša, ovaj pokazatelj možda neće raditi ispravno.

Upotreba utikača za malčiranje

Dodatni pribor

Utikač za malčiranje omogućuje vam da odrezanu travu vratite na tlo, a da je ne sakupljate u koš za travu. Pri upravljanju strojem s utikačem za malčiranje obavezno uklonite koš za travu.

NAPOMENA: Pri upotrebi stroja s utikačem za malčiranje pazite da je ukupna dužina trave 30 mm ili više odnosno da je dužina reza 15 mm ili manje.

- ▶ **SI.22:** (1) 30 mm ili više (2) 15 mm ili manje

RAD

Košenje

⚠ UPOZORENJE: Prije košenja uklonite štape i kamenje s područja košenja. Nadalje, uklonite korov s radnog područja prije košenja.

⚠ UPOZORENJE: Uvijek nosite zaštitne naočale ili zaštitne naočale s bočnim štitičnicima kad radite s kosilicom.

⚠ OPREZ: Ako se odrezana trava ili strani predmet blokira unutar tijela kosilice, obavezno izvadite ključ i baterijski uložak i nosite rukavice prije uklanjanja trave ili stranog predmeta.

NAPOMENA: Stroj upotrebljavajte samo za košenje travnjaka. Ovim strojem nemojte kositi korov.

- ▶ **SI.23**

Čvrsto držite ručku objema rukama prilikom košenja. Preporučena brzina košenja je približno 1 metar u 4 sekunde.

- ▶ **SI.24**

Vanjski rubovi prednjih kotača služe kao smjernica za širinu košenja. Koristeći vanjske rubove prednjih kotača kao smjernice, kosite u linijama. Prelazite jednom polovinom ili trećinom prethodne pruge da biste ujednačeno pokosili travnjak.

- ▶ **SI.25:** 1. Širina košenja 2. Područje preklapanja 3. Vanjski rub

Svaki puta promijenite smjer košenja kako biste spriječili da se uzorak zrna trave oblikuje samo u jednom smjeru.

- ▶ **SI.26**

Povremeno provjerite pokošenu travu u košu za travu. Ispraznite koš prije nego što se napuni. Prije svake provjere obavezno zaustavite kosilicu i izvadite ključ i bateriju.

NAPOMENA: Upotreba kosilice za travu s punim košem za travu onemogućuje nesmetano okretanje oštice i dodatno opterećuje motor, što može uzrokovati kvar.

Košenje visoke trave

Visoku travu ne pokušavajte pokositi u jednom pokušaju. Umjesto toga pokosite travnjak u nekoliko koraka. Pustite da prođe dan ili dva između dvaju košenja dok trava ne naraste na podjednaku visinu.

NAPOMENA: Košenje visoke trave na malu visinu u jednom pokušaju može uzrokovati odumiranje trave. Osim toga, pokošena trava može se zaglaviti u tijelu kosilice.

Pražnjenje koša za travu

⚠ UPOZORENJE: Kako biste smanjili opasnost od nezgode, redovito provjeravajte je li koš za travu oštećen ili oslabljen. Po potrebi ga zamijenite.

1. Otpustite polugu za uključivanje.
2. Izvadite ključ.
3. Otvorite stražnji poklopac i izvadite koš za travu držeći ručku.
▶ **SI.27:** 1. Stražnji poklopac 2. Ručka
4. Ispraznite koš za travu.

ODRŽAVANJE

⚠ UPOZORENJE: Uvijek provjerite jesu li ključ i baterijski uložak izvađeni iz kosilice prije skladištenja ili nošenja kosilice ili tijekom pregleda ili održavanja.

⚠ UPOZORENJE: Uvijek izvadite ključ kada kosilica nije u upotrebi. Čuvajte ključ na sigurnom mjestu izvan dohvata djece.

⚠ UPOZORENJE: Nosite rukavice tijekom pregleda ili održavanja.

⚠ UPOZORENJE: Uvijek nosite zaštitne naočale ili zaštitne naočale s bočnim štitnicima kada obavljate pregled ili održavanje.

NAPOMENA: Nikada nemojte koristiti benzin, mješavinu benzina, razrjeđivač, alkohol ili slično. Kao rezultat toga može se izgubiti boja, pojaviti deformacija ili pukotine.

Da biste zadržali SIGURNOST I POUZDANOST proizvoda, održavanje ili namještanja trebali biste preporučiti ovlaštenim servisnim ili tvorničkim centrima tvrtke Makita; uvijek rabite originalne rezervne dijelove.

Održavanje

1. Izvadite ključ. Čuvajte ključ na sigurnom mjestu izvan dohvata djece.
2. Kosilicu čistite samo vlažnom krpom. Kosilicu tijekom čišćenja nemojte prskati ili polijevati vodom.
3. Okrenite kosilicu na stranu i očistite pokošenu travu koja se skupila na donjem dijelu kosilice.
4. Provjerite zategnutost svih matrica, vijaka, ručica, spona i sl.
5. Pregledajte jesu li pomični dijelovi oštećeni, slomljeni ili istrošeni. Oštećeni dijelovi ili dijelovi koji nedostaju moraju se popraviti ili zamijeniti.

Skladištenje

⚠ UPOZORENJE: Kada kosilicu prenosite ili je želite uskladištiti, nemojte je držati za sklopljene ručke nego za prednju dršku. Držanje za sklopljene ručke može dovesti do ozbiljnih ozljeda ili oštećenja kosilice.

Prije skladištenja kosilice izvadite baterijski uložak i ključ.

Kosilicu skladištite u zatvorenom, hladnom, suhom i zaključanom mjestu. Kosilicu i punjač ne skladištite na mjestima gdje temperatura može doseći ili premašiti 40 °C.

▶ **SI.28:** 1. Prednja drška 2. Stražnja drška

1. Otpustite zatezne vijke i raširite donju ručku s obje strane. Pomaknite ručku naniže. Čvrsto uhvatite donju ručku kako ne bi pala na drugu stranu tijela kosilice.

▶ **SI.29:** 1. Zatezni vijak 2. Donja ručka

2. Otpustite zatezne vijke i okrenite gornju ručku natrag šireći obje strane.

▶ **SI.30:** 1. Zatezna matica 2. Gornja ručka

3. Koš za travu čuvajte između ručke i tijela kosilice.

▶ **SI.31:** 1. Koš za travu

NAPOMENA: Kada postavljate kosilicu u uspravan položaj, nemojte je držati za ručku, nego za prednju dršku kosilice.

Uklanjanje ili postavljanje oštrice kosilice

⚠ UPOZORENJE: Uvijek izvadite ključ i bateriju prilikom uklanjanja ili postavljanja oštrice. Ako ne izvadite ključ i bateriju, može doći do ozbiljne ozljede.

⚠ UPOZORENJE: Oštrica i dalje radi nekoliko sekundi nakon otpuštanja poluge. Zahvate ne započinjite dok se oštrica ne zaustavi do kraja.

⚠ UPOZORENJE: Pri rukovanju oštricom uvijek nosite rukavice.

Uklanjanje oštrice kosilice

Za model DLM382

1. Postavite kosilicu na stranu tako da poluga za podešavanje visine košenja bude na gornjoj strani.
2. Za blokiranje kretanja oštrice umetnite odvijač ili sličan alat u otvor na tijelu kosilice.
3. Vijak ključem okrenite u smjeru suprotnom od kazaljke na satu.
▶ **SI.32:** 1. Oštrica kosilice 2. Odvijač 3. Ključ
4. Uklonite vijak i oštricu kosilice tim redoslijedom.
▶ **SI.33:** 1. Potpora oštrice 2. Oštrica kosilice 3. Vijak

Za model DLM432

1. Postavite kosilicu na stranu tako da poluga za podešavanje visine košenja bude na gornjoj strani.
2. Za blokiranje kretanja oštrice umetnite odvijač ili sličan alat u otvor na tijelu kosilice.
3. Vijak ključem okrenite u smjeru suprotnom od kazaljke na satu.
▶ **SI.34:** 1. Oštrica kosilice 2. Odvijač 3. Ključ
4. Uklonite vijak, vanjsku prirubnicu, oštricu kosilice i unutarnju prirubnicu, tim redom.
▶ **SI.35:** 1. Unutarnja prirubnica 2. Oštrica kosilice 3. Vanjska prirubnica 4. Vijak

Postavljanje oštrice kosilice

Za postavljanje oštrice postupak uklanjanja provedite obrnutim redoslijedom.

⚠ UPOZORENJE: Pažljivo postavite oštricu kosilice. Gornja i donja strana razlikuju se. Oštricu postavite tako da je strana oštrice sa strelicom smjera okretanja okrenuta prema van.

⚠ UPOZORENJE: Zatim čvrsto zategnite vijak u smjeru kazaljke na satu kako biste pričvrstili oštricu.

⚠ UPOZORENJE: Pazite da su oštrica kosilice i svi pričvrtni dijelovi pravilno postavljeni i čvrsto zategnuti.

⚠ UPOZORENJE: Kada mijenjate oštricu, uvijek se pridržavajte uputa u ovom priručniku.

RJEŠAVANJE PROBLEMA

Prije nego zatražite popravak, sami pregledajte stroj. Ako pronađete problem za koji ne postoji objašnjenje u uputama, nemojte pokušavati rastaviti alat. Umjesto toga obratite se ovlaštenom servisnom centru tvrtke Makita koji za popravke uvijek koristi zamjenske dijelove tvrtke Makita.

Stanje nepravilnosti	Mogući uzroci (kvar)	Otklanjanje problema
Kosilica se ne može pokrenuti.	Nisu umetnute dvije baterije.	Umetnite napunjene baterije.
	Problem s baterijom (pod naponom)	Ponovno napunite bateriju. Ako ponovno punjenje nema učinka, zamijenite bateriju.
	Nije umetnut ključ.	Umetnite ključ.
Motor prestaje raditi nakon kratke upotrebe.	Razina napunjenosti baterije je niska.	Ponovno napunite bateriju. Ako ponovno punjenje nema učinka, zamijenite bateriju.
	Visina rezanja je preniska.	Povećajte visinu rezanja.
Motor ne doseže maksimalni broj okretaja u minuti.	Baterija je nepravilno postavljena.	Postavite bateriju kako je opisano u ovom priručniku.
	Snaga baterije pada.	Ponovno napunite bateriju. Ako ponovno punjenje nema učinka, zamijenite bateriju.
	Pogonski sustav ne radi pravilno.	Za popravak se obratite lokalnom ovlaštenom servisu.
Oštrica kosilice ne okreće se: ⇒ odmah zaustavite kosilicu!	U blizini oštrice zaglavio se strani predmet.	Uklonite strani predmet.
	Pogonski sustav ne radi pravilno.	Za popravak se obratite lokalnom ovlaštenom servisu.
Neuobičajene vibracije: ⇒ odmah zaustavite kosilicu!	Oštrica nije izbalansirana, pretjerano je ili neujednačeno istrošena.	Zamijenite oštricu.

DODATNI PRIBOR

⚠ OPREZ: Ovaj dodatni pribor ili priključci preporučuju se samo za upotrebu s alatom Makita navedenim u ovom priručniku. Upotreba bilo kojeg drugog dodatnog pribora ili priključaka može prouzročiti ozljede. Upotrebljavajte dodatni pribor ili priključak samo za njegovu navedenu svrhu.

Ako vam je potrebna pomoć za više detalja u pogledu ovih dodatnih pribora, obratite se najbližem Makita servisnom centru.

- Oštrica kosilice
- Utikač za malčiranje
- Originalna baterija i punjač Makita

NAPOMENA: Neke stavke iz popisa se mogu isporučiti zajedno sa strojem kao standardni dodatni pribori. Oni mogu biti različiti ovisno o zemlji.

СПЕЦИФИКАЦИИ

Модел:		DLM382	DLM432
Широчина на косењето (дијаметар на сечило)		380 мм	430 мм
Брзина без оптоварување		3.700 мин. ⁻¹	3.600 мин. ⁻¹
Број на дел на резервно сечило на косилка		191D41-2	191D43-8
Димензии (Д x Ш x В)	за време на работа	Д: 1.380 мм до 1.410 мм Ш: 450 мм В: 985 мм до 1.005 мм	Д: 1.435 мм до 1.490 мм Ш: 460 мм В: 1.005 мм до 1.045 мм
	кога е складирана (без корпа за трева)	860 мм x 450 мм x 475 мм	865 мм x 460 мм x 475 мм
Номинален напон		D.C. 36 V	
Нето тежина		16,2 - 16,9 кг	16,8 - 17,5 кг

- Поради нашата континуирана програма за истражување и развој, спецификациите тука подлежат на промена без најава.
- Спецификациите може да се разликуваат од држава до држава.
- Тежината може да се разликува во зависност од додаточите, вклучувајќи ја и касетата за батерија. Најлесната и најтешката комбинација, согласно процедурата на ЕПТА 01/2014 (Европската асоцијација за електрични алати), се прикажани во табелата.

Применлива касета за батерија

BL1815N / BL1820 / BL1820B / BL1830 / BL1830B / BL1840 / BL1840B / BL1850 / BL1850B / BL1860B

- Некои од касетите за батерии наведени погоре може да не се достапни зависно од регионот во кој живеете.

▲ ПРЕДУПРЕДУВАЊЕ: Користете ги само касетите за батерии наведени погоре. Користењето какви било поинакви касети за батерии може да создаде ризик од повреда и/или пожар.

Симболи

Долунаведените симболи се користат кај опремата. Видете што значат пред да почнете да работите.



Посветете особена грижа и внимание.



Прочитајте го упатството за користење.



Опасност: внимавате на разлетани предмети.



Растојанието помеѓу алатот и лицата што се наоѓаат во близина треба да биде најмалку 15 м.



Никогаш не ставајте ги вашите раце и стапала во близина на сечилото под косилката. Сечилата продолжуваат да вртат откако моторот ќе се исклучи.



Извадете го клучот за блокирање пред да извршите проверка, прилагодување, чистење, сервисирање, или пред да ја оставите или складираете косилката.



Само за земјите на ЕУ
Не фрлајте ја електричната опрема или батеријата заедно со домашниот отпад! Земјајќи ги предвид европските директиви за отпадна електрична и електронска опрема и за батерии и акумулатори и отпадни батерии и акумулатори и нивното спроведување во согласност со националните закони, електричната опрема и батеријата/ите на крајот на нивниот работен век мора да се собираат одделно и да се вратат во еколошки објект за рециклирање.

Наменета употреба

Машината е наменета за косење трева.

Бучава

Типична А-вредност за ниво на бучавата одредена во согласност со EN60335-2-77:

Модел DLM382

Ниво на звучниот притисок (L_{pA}) : 81 dB (A)
Ниво на јачина на звукот (L_{WA}) : 91 dB (A)
Отстапување (K): 3 dB (A)

Модел DLM432

Ниво на звучниот притисок (L_{pA}) : 81 dB (A)
Ниво на јачина на звукот (L_{WA}) : 92 dB (A)
Отстапување (K): 3 dB (A)

НАПОМЕНА: Номиналната вредност(и) за емисија на бучава е измерена во согласност со стандардни методи за испитување и може да се користи за споредување алати.

НАПОМЕНА: Номиналната вредност(и) за емисија на бучава може да се користи и како прелиминарна процена за изложеност.

▲ПРЕДУПРЕДУВАЊЕ: Носете заштита за ушите.

▲ПРЕДУПРЕДУВАЊЕ: Емисијата на бучава при фактичкото користење на алатот може да се разликува од номиналната вредност(и), зависно од начинот на којшто се користи алатот, особено од тоа како вид работен материјал се обработува.

▲ПРЕДУПРЕДУВАЊЕ: Погрижете се да ги утврдите безбедносните мерки за заштита на лицето кое ракува со алатот врз основа на процена на изложеноста при фактичките услови на употреба (земајќи ги предвид сите делови на работниот циклус, како периодите кога електричниот алат е исклучен и кога работи во празен од, не само кога е активен).

Вибрации

Вкупна вредност на вибрациите (векторска сума на три оски) одредена во согласност со EN60335-2-77:

Модел DLM382

Ширење вибрации (a_h): 2,5 m/s^2 или помалку
Отстапување (K): 2,0 m/s^2

Модел DLM432

Ширење вибрации (a_h): 2,5 m/s^2 или помалку
Отстапување (K): 1,5 m/s^2

НАПОМЕНА: Вкупната вредност(и) на номиналната јачина на вибрациите е измерена во согласност со стандардни методи за испитување и може да се користи за споредување алати.

НАПОМЕНА: Вкупната вредност(и) на номиналната јачина на вибрациите може да се користи и како прелиминарна процена за изложеност.

▲ПРЕДУПРЕДУВАЊЕ: Јачината на вибрациите при фактичкото користење на алатот може да се разликува од номиналната вредност(и), зависно од начинот на којшто се користи алатот, особено од тоа како вид работен материјал се обработува.

▲ПРЕДУПРЕДУВАЊЕ: Погрижете се да ги утврдите безбедносните мерки за заштита на лицето кое ракува со алатот врз основа на процена на изложеноста при фактичките услови на употреба (земајќи ги предвид сите делови на работниот циклус, како периодите кога електричниот алат е исклучен и кога работи во празен од, не само кога е активен).

Декларација за сообразност од ЕУ

Само за земјите во Европа

Декларацијата за сообразност од ЕУ е вклучена во Додаток А од упатствата за корисникот.

БЕЗБЕДНОСНИ ПРЕДУПРЕДУВАЊА

ВАЖНИ БЕЗБЕДНОСНИ УПАТСТВА

▲ПРЕДУПРЕДУВАЊЕ: Прочитајте ги сите безбедносни предупредувања и сите упатства. Ако не се почитуваат предупредувањата и упатствата, може да дојде до струен удар, пожар или тешки повреди.

Чувајте ги сите предупредувања и упатства за да може повторно да ги прочитате.

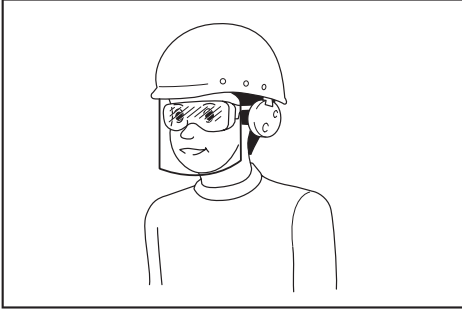
Обука

1. Прочитајте ги упатствата внимателно. Запознајте се со контролите и правилната употреба на косилката.
2. Никогаш не дозволувајте деца или луѓе што не се запознаени со упатствата да ја користат косилката. Локалните прописи може да ја ограничуваат возраста на операторот.
3. Никогаш не работете со косилката кога има луѓе, особено деца или домашни животни во близина.
4. Имајте на ум дека операторот или корисникот е одговорен за несреќите или опасностите што им се случуваат на другите луѓе или нивниот имот.
5. Децата треба да се надгледуваат за да не си играат со косилката.
6. Физичка состојба - Не работете со косилката ако сте под влијание на наркотични средства, алкохол или какви било лекарства.

Подготовка

1. Додека работите со косилката, секогаш носете цврсти обувки и долги панталони. Не ракувајте со косилката боси или со отворени сандали. Избегнувајте да носите облека или накит што се лабави, или што имаат висечки кабли или врвки. Тие може да бидат зафатени во подвижните делови.
2. Пред употреба, секогаш визуелно проверувајте дали е оштетена косилката, дали штитниците или заштитниците недостасуваат или не се поставени правилно.
3. Осигурете се да нема други луѓе во работната област пред да започнете со косење. Запрете ја косилката ако некој влезе во областа.
4. Не вметнувајте го клучот за блокирање во косилката додека не се подготви за употреба.

5. Секогаш носете заштитни очила за да ги заштитите очите од повреда кога користите електрични алати. Очилата мора да се усогласени со ANSI Z87.1 во САД, EN 166 во Европа или AS/NZS 1336 во Австралија/Нов Зеланд. Во Австралија/Нов Зеланд исто така постои законска обврска за носење штитник за лице за да си го заштитите лицето.



Работодавачот е одговорен дали операторите со алатот и другите лица во непосредната работна околина носат соодветна безбедносна заштитна опрема.

6. Пред работата, проверете дали има пукнатини или оштетувања на сечилото или на неговите завртки. Веднаш заменете ги сечилата или завртките ако имаат пукнатини или оштетувања.
7. Отстранете ги надворешните материји, како што се камења, жици, шишиња, коски и поголеми стапчиња од работната област пред да започнете со косење за да спречите телесна повреда или оштетување на косилката.
8. Предметите заглавени во сечилото на косилката за трева може да предизвикаат тешки повреди кај луѓето. Тревникот треба секогаш внимателно да се прегледа и да се расчисти од сите предмети пред секое започнување со косење.
9. Внимавајте на дупки, бразди, грутки, камења или други сокриени предмети. Нерамниот терен може да предизвика незгода од лизгање и паѓање. Високата трева може да крие пречки.
3. Никогаш не работете со косилката со неисправни штитници или прегради, или без да се поставени безбедносни уреди, на пример, одбивачи и/или корпи за трева.
4. Избегнувајте користење на косилката при лоши временски услови, особено кога има ризик од грмотевици.
5. Носете заштита за очите и обувки со дебели ѓон цело време додека работите со косилката.
6. Работете со косилката само дење или на добро вештачко светло.
7. Внимателно вклучете ја косилката во согласност со упатствата, држејќи ги стапалата подалеку од сечилото(ата).
8. Внимавајте да не дојде до повреда на стапалата и рацете од сечилата на косилката.
9. Секогаш осигуравајте се дека отворите за вентилација се чисти.
10. На падини, косете напречно, никогаш надолу или нагоре. Бидете многу предпазливи кога менувате насока на падини. Не косете многу стрмни падини.
11. Бидете многу внимателни кога ја ставате во рикверц или кога ја влечете косилката кон вас.
12. Сопрете го сечилото(ата) ако косилката треба да се навали за превоз кога се поминуваат површини што не се тревни и кога ја пренесувате косилката до и од подрачјето што треба да се коси.
13. Не навалувајте ја косилката кога го вклучувате моторот, освен ако косилката мора да се навали за да се стартува. Во овој случај, не навалувајте ја повеќе отколку што е апсолутно потребно и подигнете го само оној дел што е подалеку од ракувачот. Секогаш уверете се дека двете раце се во работна позиција пред да ја вратите косилката на земјата.
14. Не ставајте ги рацете или стапалата близу или под вртливите делови. Бидете подалеку од отворот за исфрлање во секое време.
15. Не транспортирајте ја косилката додека таа е вклучена.
16. Избегнувајте да работите со косилката на влажна трева.
17. Никогаш не работете со косилката на дожд.
18. Секогаш цврсто држете ја рачката.
19. Не фаќајте ги изложените сечила или рабови за сечење кога ја кревате или држите косилката.
20. Држете ги рацете и стапалата подалеку од сечилата што вртат. Внимание - Сечилата продолжуваат да вртат откако ќе се исклучи косилката.
21. Ако забележите нешто необично, веднаш запрете со работа. Исклучете ја косилката и извадете го клучот за блокирање. Потоа, проверете ја косилката.
22. Ако косилката има функција за нагудување на висината, никогаш не обидувајте се да ја нагодите висината на сечењето додека косилката работи.

Работење

1. Не пресегајте предалеку. Одржувајте рамнотежа цело време. Секогаш внимавајте како газите по стрмнини. Одете, никогаш не трчајте.
2. Сопрете ја косилката и извадете го клучот за блокирање, потоа осигурете се дека сите подвижни делови целосно запреле:
 - секогаш кога ја оставате косилката,
 - пред чистење затнати места или одзатнување на резервоарот,
 - пред извршување проверка, чистење или изведуваче работи врз косилката,
 - откако ќе удриете во некој предмет.
 Проверете дали на косилката има оштетувања и поправете ја пред одново да ја стартувате и да ракувате со неа, - кога косилката ќе започне да вибрира ненормално.

23. Отпуштете го лостот на прекинувачот и почекајте сечилото да запре со вртење пред да преминете преку улица, патека, патишта и какви било области покриени со чакал. Исто така, извадете го клучот за блокирање ако ја оставате косилката, се обидувајте да подигнете нешто или да отстраните нешто од вашиот пат или заради каква било друга причина што може да го одвлече вашето внимание од работата што ја извршувате.
24. Ако косилката удри во надворешен предмет, следете ги овие чекори:
 - Запрете ја косилката, отпуштете ја рачката на прекинувачот и почекајте додека сечилото целосно не застане.
 - Извадете ги клучот за блокирање и касетата за батеријата.
 - Внимателно проверете дали на косилката има какви било оштетувања.
 - Заменете го сечилото ако е оштетено на каквот било начин. Поправете ги сите оштетувања пред одново да ја стартувате и да продолжите да работите со косилката.
25. Не стартувајте ја косилката додека стоите пред отворот за исфрлање.
26. Ако косилката почне да вибрира абнормално (веднаш проверете)
 - проверете дали има оштетувања,
 - заменете ги или поправете ги сите оштетени делови,
 - проверете ги и прицврстете ги сите олабавени делови.
27. Никогаш не насочувајте го исфрлениот материјал кон некого. Избегнувајте исфрлање на материјалот кон сид или препрека. Материјалот може да се одбие назад кон операторот. Сопрете го сечилото при поминување преку површини со чакал.
28. Не тегнете ја косилката на назад освен ако не е апсолутно неопходно. Кога треба да ја вратите косилката на назад од ограда или друга слична пречка, погледнете надолу и зад вас пред и за време на враќањето на назад.
29. Исклучете го моторот и почекајте додека сечилото не сопре целосно пред да го отстраните делот за трева. Внимавајте на вртењето на сечилата по исклучувањето.

Одржување и чување

1. Заменувајте ги изабените и оштетените делови заради безбедност. Користете само оригинални делови и додатоци за замена.
 2. Проверувајте ја и одржувајте ја косилката редовно.
 3. Кога не се користи, складирајте ја косилката надвор од дофат на деца.
 4. Одржувајте ги сите навртки и завртки стегнати за да бидете сигурни дека опремата е во безбедна работна состојба.
 5. Често проверувајте дали корпата за трева е избена или дотраена. За складирање, секогаш погрижете се корпата за трева да е празна. Заменете ја изабената корпа за трева со нова, фабрички заменета, заради безбедност.
 6. Користете само оригинални сечила од производителот назначени во ова упатство.
7. Внимавајте при прилагодувањето на косилката да спречите да дојде до заглавување на прстите помеѓу сечилата што се движат и фиксните делови на косилката.
 8. Не користете црево за прскање. Избегнувајте вода да навлезе во моторот и електричните поврзувања.
 9. Проверувајте на чести временски интервали, дали завртката за монтирање на сечилото е правилно стегната.
 10. Секогаш оставајте ја косилката да се олади пред да ја складираате.
 11. Кога ги сервисирате сечилата, имајте предвид дека дури и ако алатот не е приклучен во извор на електрична енергија, сечилата сè уште може да се во движење.
 12. Никогаш не отстранувајте ги и не менувајте ги безбедносните уреди. Проверувајте го нивното правилно функционирање редовно. Никогаш не правете нешто што би ја попречило наменетата функција на безбедносниот уред или би ја намалило заштитата што тој ја дава.

Користење и грижа за алатот на батерии

1. Полнете само со полначот одреден од страна на производителот. Полнач што е соодветен за еден тип батерија може да создаде ризик од пожар кога се користи со друга батерија.
2. Исклучиво користете ги електричните алати со конкретно наменети батерии. Користењето други батерии може да создаде ризик од повреда или пожар.
3. Кога батеријата не се користи, држете ја настрана од други метални предмети, како што се спојувалки, монети, клучеви, шрафови или други мали метални предмети што можат да послужат како врска од еден на друг приклучок. Краткиот спој на батериските приклучоци може да доведе до изгореници или пожар.
4. При случаи на злоупотреба, од батеријата може да истече течност. Избегнувајте контакт со неа. Ако дојде до ненамерен контакт, измијте со вода. Ако течност дојде во допир со очите, побарајте дополнителна медицинска помош. Течноста што истекла од батеријата може да предизвика иритација или изгореници.
5. Не користете батерии или алат што се оштетени или менувани. Оштетените или менуваните батерии може да прикажуваат непредвидливо однесување што резултира со оган, експлозија или опасност од повреда.
6. Не изложувајте ги батериите или алатот на оган или прекумерна температура. Изложувањето на оган или температура над 130°C може да предизвика експлозија.
7. Следете ги сите упатства за полнење и не полнете ги батериите или алатот надвор од температурниот опсег наведен во упатството. Неправилното менување или менувањето на температури надвор од наведениот опсег може да ја оштети батеријата и да ја зголеми опасноста од оган.

Безбедност на електричните делови и батеријата

1. **Не фрлајте ги батериите во оган.** Келијата може да експлодира. Проверете ги локалните прописи за можни упатства за специјален отпад.
2. **Не отворајте ги и не уништувајте ги батериите.** Електролитот што се ослободува е корозивен и може да предизвика оштетување на очите или кожата. Може да е токсичен ако се голтне.
3. **Не полнете ја батеријата на дожд или на влажни места.**
4. **Не полнете ја батеријата надвор.**
5. **Не држете го полначот, вклучувајќи го и приклучокот за полначот и терминалите на полначот со влажни раце.**

Сервисирање

1. **Вашиот електричен алат сервисирајте го кај квалификувано лице за поправки, кое користи само идентични резервни делови.** Така ќе бидете сигурни дека електричниот алат и понатаму е безбеден.
2. **Никога не сервисирајте оштетени батерии.** Сервисирањето на батериите треба да ги извршува само производителот или овластените сервисери.

ЧУВАЈТЕ ГО УПАТСТВОТО.

▲ПРЕДУПРЕДУВАЊЕ: НЕ ДОЗВОЛУВАЈТЕ удобноста или познавањето на производот (стекнати со подолга употреба) да ве наведат да не се придржувате строго до безбедносните правила за овој производ.

ЗЛОУПОТРЕБАТА или непочитувањето на безбедносните правила наведени во ова упатство може да предизвикаат тешка телесна повреда.

Важни безбедносни упатства за касетата за батеријата

1. **Пред користење на касетата за батеријата, прочитајте ги сите упатства и ознаки за претпазливост на (1) полначот за батеријата, (2) батеријата и (3) производот што ја користи батеријата.**
2. **Не расклопувајте ја касетата за батеријата.**
3. **Ако оперативното време станало прекумерно кратко, престанете веднаш со работа.** Тоа може да резултира со ризик од прегревање, можни изгореници, па дури и експлозија.
4. **Ако електролит навлезе во вашите очи, измијте ги со чиста вода и побарајте медицинска нега веднаш.** Тоа може да резултира со губење на вашиот вид.
5. **Не предизвикувајте спој на касетата за батеријата.**
 - (1) **Не допирајте ги контактите со никаков проводлив материјал.**
 - (2) **Избегнувајте да ја чувате касетата за батерија во сад со други метални предмети како што се шајки, монети и сл.**
 - (3) **На изложувајте ја касетата за батеријата на вода или дожд.**

Краткиот спој на батеријата може да предизвика голем проток на електрична енергија, прегревање, можни изгореници, па дури и пад на напојувањето.

6. **Не складирајте ги алатот и касетата за батеријата на места каде што температурата може да достигне или надминува 50°C.**
7. **Не палете ја касетата за батеријата дури и кога е многу оштетена или целосно потрошена.** Касетата за батеријата може да експлодира ако се стави во оган.
8. **Внимавајте да не ја испуштите или удриете батеријата.**
9. **Не користете оштетена батерија.**
10. **Содржаните батерии со литиумови јони се подложни на условите во Правилата за опасни предмети.**

За комерцијален транспорт на пр. од трети лица и посредници, мора да се следат посебните услови на пакувањата или ознаките. При подготовка на предметот кој треба да се испрати, консултирајте се со експерт за опасни материјали. Исто така, следете ги потенцијално подеталните национални правила. Залепете ги со леплива лента или маскирајте ги отворените контакти, а батеријата спакувајте ја, така што нема да се движи слободно во пакувањето.
11. **Кога ја фрлате во отпад касетата за батеријата, извадете ја од алатот и фрлете ја на безбедно место.** Почитувајте ги локалните законски прописи што се однесуваат на фрлање во отпад на батеријата.
12. **Користете ги батериите само со производите назначени од Makita.** Монтирањето батерии на неусогласените производи може да резултира со пожар, прекумерна топлина, експлозија или истекување на електролитот.
13. **Доколку алатот не се користи подолг временски период, батеријата мора да се извади од алатот.**

ЧУВАЈТЕ ГО УПАТСТВОТО.

▲ВНИМАНИЕ: Користете само оригинални батерии на Makita. Користењето неоригинални батерии на Makita или батерии што се изменети може да резултира со распукување на батеријата, предизвикувајќи пожар, телесна повреда и оштетување. Тоа исто така ќе ја поништи гаранцијата на Makita за алатот и полначот на Makita.

Совети за одржување максимален работен век на батеријата

1. **Заменете ја касетата за батеријата пред целосно да се испразни.** Секогаш запирајте ја работата со алатот и заменете ја касетата за батеријата кога ќе забележите дека алатот дава помала моќност.

2. Никогаш немојте да полните целосно полна касета за батерија. Прекумерното полнење го скратува работниот век на батеријата.
3. Полнете ја касетата за батеријата на собна температура од 10°C - 40°C. Дозволете загреаната касета за батерија да се олади пред да ја ставите на полнење.
4. Полнете ја касетата за батеријата доколку не ја користите подолго време (повеќе од шест месеци).

СОСТАВУВАЊЕ

▲ ПРЕДУПРЕДУВАЊЕ: Секогаш осигуравајте се клучот за блокирање и батеријата да се извадени пред да вршите каква било работа врз косилката. Ако не ги извадите клучот за блокирање и батеријата, може да дојде до тешка телесна повреда заради случајно стартување.

▲ ПРЕДУПРЕДУВАЊЕ: Никогаш не стартувајте ја косилката ако не е целосно составена. Работењето со делумно составена машина може да резултира со тешка телесна повреда заради случајно стартување.

Монтирање на капакот на батеријата

▲ ПРЕДУПРЕДУВАЊЕ: Не вметнувајте ги клучот за блокирање и батеријата пред да го монтирате капакот на батеријата. Во спротивно, може да дојде до сериозна повреда.

Монтирајте го целосно капакот на батеријата пред работа. Капакот на батеријата ги штити косилката и касетата за батеријата од кал, земја и вода.

1. Поставете го капакот на батеријата со издадените делови на косилката порамнети со отворите на капакот за батеријата.
 - **Сл.1:** 1. Издаден дел 2. Дупка 3. Капак на батеријата
2. Ставете ги вашите раце во средината на капакот на батеријата и притиснете го.
 - **Сл.2**
3. Пред за започнете со работа прв пат, проверете дали стожерната точка на капакот на батеријата е правилно прицврстена. Ако капакот на батеријата е правилно монтиран, нема да се отвори додека не се повлече рачката за блокирање на капакот на батеријата.
 - **Сл.3:** 1. Стожерна точка 2. Рачка за блокирање на капакот на батеријата

Монтирање на рачката

ЗАБЕЛЕШКА: Кога ги монтирате рачките, поставете ги каблите така да не можат да зафатат од ништо помеѓу рачките. Ако се оштети кабелот, можно е прекинувачот на косилката да не работи.

1. Турнете ги двата краја од долната рачка во жлебовите на косилката, па целосно стегнете ги клемастите завртки.
 - **Сл.4:** 1. Клемаста завртка 2. Долна рачка
2. Порамнете ги отворите за шrafoви на горната и на долната рачка. Стегнете ги со клемастите завртки и навртки.
 - **Сл.5:** 1. Клемаста навртка 2. Клемаста завртка

НАПОМЕНА: Цврсто држете ја горната рачка да не ви испадне од раката.

3. Прицврстете ги држачите на рачката. Поставете го кабелот за напојување како што е прикажано на сликата.
 - **Сл.6:** 1. Држач

Отстранување на приклучокот за компост

Опционален додаток

1. Отворете го кабелот за задниот капак.
 - **Сл.7:** 1. Заден капак
2. Држете го приклучокот за компост за рачката, а потоа извлечете го од телото на косилката како што е прикажано на сликата.
 - **Сл.8:** 1. Приклучок за компост 2. Рачка

Монтирање на корпата за трева

1. Отворете го задниот капак.
 - **Сл.9:** 1. Заден капак
2. Прикачете ја корпата за трева на прачката на косилката како што е прикажано на сликата.
 - **Сл.10:** 1. Кука 2. Шипка 3. Корпа за трева

Прикачување на приклучокот за компост

Опционален додаток

1. Отворете го задниот капак и отстранете ја корпата за трева.
 - **Сл.11:** 1. Заден капак 2. Корпа за трева
2. Држете го приклучокот за компост за рачката, а потоа прикачете го на телото на косилката како што е прикажано на сликата.
 - **Сл.12:** 1. Приклучок за компост 2. Рачка

ОПИС НА ФУНКЦИИТЕ

Монтирање или отстранување на касетата за батеријата

▲ВНИМАНИЕ: Секогаш исклучувајте ја машината пред да ја монтирате или отстраните касетата за батеријата.

▲ВНИМАНИЕ: Осигурете се да го блокирате капакот на батеријата пред употребата. Во спротивно, калта, нечистотиите или водата може да предизвикаат оштетување на производот или на батеријата.

▲ВНИМАНИЕ: Секогаш монтирајте ја касетата за батерија целосно додека црвениот индикатор не се изгасне. Во спротивно, може ненадејно да испадне од машината, предизвикувајќи ви повреда вам или на некој друг околу вас.

▲ВНИМАНИЕ: Немојте да ја монтирате касетата за батеријата на сила. Ако касетата не може да се лизне лесно, тоа значи дека не е поставена правилно.

НАПОМЕНА: Машината не работи само со една касета за батерија.

За да ја монтирате батеријата;

1. Турнете ја рачката за блокирање на капакот на батеријата и отворете го капакот на батеријата.

► **Сл.13:** 1. Капак на батеријата 2. Рачка за блокирање на капакот на батеријата

2. Порамнете ги јазичето од касетата за батерија со отворот на косилката, па турнете ја касетата додека да се заклучи во позиција со едно кликување.

► **Сл.14:** 1. Касета за батерија

3. Вметнете го клучот за блокирање во местото покажано на сликата и турнете го до крај.

► **Сл.15:** 1. Клуч за блокирање

4. Затворете го капакот на батеријата и туркајте го додека не се стегне со рачката за блокирање.

За да ја извадите батеријата од косилката;

1. Турнете ја рачката за блокирање на капакот на батеријата и отворете го капакот на батеријата.

2. Повлечете ја касетата за батеријата од алатот додека го лизгате копчето на предната страна на касетата.

3. Извлечете го клучот за блокирање.

4. Затворете го капакот на батеријата.

Систем за заштита на машината/ батеријата

Машината е опремена со систем за заштита на машината/батеријата. Овој систем автоматски го прекинува напојувањето на моторот за да го продолжи работниот век на алатот и на батеријата. Машината автоматски ќе се исклучи за време на работењето ако машината или батеријата се најдат под еден од следниве услови.

Заштита од преоптоварување

Кога со машината се работи на начин што предизвикува повлекување прекумерно висока струја, таа автоматски се запира без никаква индикација. Во таква ситуација, исклучете ја машината и запрете со примената што предизвикала негово преоптоварување. Потоа, вклучете ја машината за да се рестартира.

Заштита од прегревање

Кога машината е прегреана, таа автоматски запира. Оставете ја машината да се олади пред повторно да ја вклучите.

Заштита од прекумерно празнење

Кога капацитетот на батеријата ќе падне на ниско ниво, машината автоматски запира. Ако производот не работи дури ни кога прекинувачите ќе се вклучат или исклучат, извадете ги батериите од машината и наполнете ги.

Укажување на преостанатиот капацитет на батеријата

► **Сл.16:** 1. Индикатор за батерија

Кога преостанатиот капацитет на батеријата падне на ниско ниво, индикаторот за батеријата почнува да трепка на соодветната страна од батеријата. Со натамошна употреба, машината запира и индикаторот за батеријата се вклучува и останува вклучен околу 10 секунди. Во оваа ситуација, наполнете ја батеријата.

Укажување на преостанатиот капацитет на батеријата

Само за батерии со индикатор

► **Сл.17:** 1. Индикаторски ламбички 2. Копче за проверка

Притиснете го копчето за проверка на касетата за батеријата за укажување на преостанатиот капацитет на батеријата. Индикаторските ламбички светнуваат неколку секунди.

Индикаторски ламбички			Преостанат капацитет
Запалено	Исклучено	Трепка	
			75% до 100%
			50% до 75%
			25% до 50%
			0% до 25%
			Наполнете ја батеријата.
			Батеријата можеби е неисправна.

НАПОМЕНА: Во зависност од условите на користење и амбиенталната температура, индикацијата може да се разликува во мала мера од реалниот капацитет.

Вклучување

▲ ПРЕДУПРЕДУВАЊЕ: Пред да ја монтирате касетата за батеријата, секогаш проверувајте дали рачката на прекинувачот правилно се активира и се враќа во почетната положба кога ќе се отпушти. Ако работите со машина чиј прекинувач не работи исправно, може да дојде до загуба на контролата и тешка телесна повреда.

НАПОМЕНА: Косилката не стартува без да се притисне копчето на прекинувачот, дури и ако рачката на прекинувачот е повлечена.

НАПОМЕНА: Косилката може да не стартува поради оптоварување кога ќе косите долго одеднаш или кога ќе косите густа трева. Во тој случај, зголемете ја височината на косењето.

Оваа косилка е опремена со прекинувач за заклучување и рачен прекинувач. Ако забележите нешто необично кај кој било од овие прекинувачи, веднаш запрете со работа и нарачајте нивна проверка од страна на најблискиот овластен сервисен центар на Makita.

1. Монтирајте ги батериите. Вметнете го клучот за блокирање во прекинувачот со брава и потоа затворете го капакот на батеријата.
▶ **Сл.18:** 1. Касета за батерија 2. Клуч за блокирање
2. Притиснете го копчето на прекинувачот и задржете го.
3. Фатете ја горната рачка и повлечете ја рачката на прекинувачот.
▶ **Сл.19:** 1. Копче на прекинувач 2. Рачка на прекинувач
4. Отпуштете го копчето на прекинувачот штом моторот почне да работи. Косилката ќе продолжи да работи додека не ја отпуштите рачката на прекинувачот.
5. Отпуштете ја рачката на прекинувачот за да го запрете моторот.

Прилагодување на височината на косење

▲ ПРЕДУПРЕДУВАЊЕ: Никогаш не ставајте ја вашата рака или нога под косилката кога ја прилагодувате височината на косење.

▲ ПРЕДУПРЕДУВАЊЕ: Секогаш осигурувајте се дека рачката правилно влегува во жлебот пред да започнете со работа.

Височината на косење може да се нагоди во опсег помеѓу 20 мм и 75 мм.

1. Извадете го клучот за блокирање.
2. Повлечете ја рачката за прилагодување на височината на косењето кон надвор од косилката и поместете ја според саканата височина на косењето.
▶ **Сл.20:** 1. Рачка за прилагодување на височината на косењето

НАПОМЕНА: Броевите за височината на косењето треба да се користат како напатствија. Во зависност од условите на тревникот или теренот, вистинската височина на косењето може да биде нешто поинаква од поставената височина.

НАПОМЕНА: Направете пробно косење на тревата на поневидливо место за да ја добиете саканата височина.

Индикатор за ниво на трева

- ▶ **Сл.21:** 1. Индикатор за ниво на трева

Индикаторот за ниво на трева го покажува волуменот на искосената трева.

- Кога корпата за трева не е полна, индикаторот лебди за време на косењето.
- Кога корпата за трева е полна, индикаторот не лебди за време на косењето. Во овој случај, веднаш запрете со косење и испразнете ја корпата. Откако ќе ја испразните корпата, исчистете ја така што воздухот да може да поминува низ нејзината мрежа.

НАПОМЕНА: Овој индикатор е груб водич. Во зависност од условите на внатрешноста на корпата, овој индикатор може да не работи исправно.

Користење на приклучокот за компост

Опционален додаток

Приклучокот за компост ви овозможува да ја вратите исечената трева на земјата без да ја собирате во корпата за трева. Ако ја користите машината со приклучокот за компост, претходно отстранете ја корпата за трева.

ЗАБЕЛЕШКА: Ако ја користите машината со приклучокот за компост, осигурете се дека вкупната должина на тревата е 30 мм или повеќе или исечената должина е 15 мм или помалку.

- ▶ **Сл.22:** (1) 30 мм или повеќе (2) 15 мм или помалку

РАБОТЕЊЕ

Косење

▲ ПРЕДУПРЕДУВАЊЕ: Пред да започнете со косење, расчистете ги стапчињата и камењата од областа што се коси. Следно, однапред расчистете ја сета плевел од областа што се коси.

▲ ПРЕДУПРЕДУВАЊЕ: Секогаш носете заштитна маска или заштитни очила со странични штитници кога работите со косилката.

▲ ВНИМАНИЕ: Ако исечената трева или туѓи предмети ја блокираат внатрешноста на косилката, отстранете го клучот за блокирање и касетата за батерија и носете ракавици пред да ги отстраните.

ЗАБЕЛЕШКА: Оваа машина користете ја само за косење тревници. Не косете плевел со оваа машина.

► **Сл.23**

Чврсто држете ја рачката со двете раце при косењето.

Упатството за брзината на косење е приближно 1 метар за 4 секунди.

► **Сл.24**

Надворешните рабови на предните тркала се водилки за ширината на косењето. Користејќи ги надворешните рабови на предните тркала како водилки, косете во ленти. Преклопете ја за една половина до една третина претходната лента за да го икосите тревникот рамномерно.

► **Сл.25:** 1. Ширина на косење 2. Област на преклопување 3. Надворешен раб

Секој пат менувајте ја насоката на косење за да спречите формирање на шема на тревникот во само една насока.

► **Сл.26**

Повремено проверувајте ја корпата за трева за искосена трева. Испразнете ја тревата пред да се наполни. Пред секоја периодична проверка, исклучувајте ја косилката и потоа водете ги клучот за блокирање и батеријата.

ЗАБЕЛЕШКА: Користењето на косилката со полна корпа за трева спречува мазно вртење на сечилото и додава дополнителен товар на моторот, што може да предизвика дефект.

Косење тревник со висока трева

Не обидувајте се да косите висока трева наеднаш. Наместо тоа, косете го тревникот во неколку етапи. Оставете ден-два помеѓу две косења, додека тревникот рамномерно да стане кус.

НАПОМЕНА: Косењето долга трева со коса должина наеднаш може да предизвика тревата да умре. Исто така, исечената трева може да ја блокира внатрешноста на уредот на косилката.

Празнење на корпата за трева

▲ ПРЕДУПРЕДУВАЊЕ: За да го намалите ризикот од незгоди, редовно проверувајте дали на корпата за трева има какви било оштетувања или слабости. Заменете ја корпата за трева ако е неопходно.

1. Отпуштете ја рачката на прекинувачот.
2. Извадете го клучот за блокирање.
3. Отворете го задниот капак и извадете ја корпата за трева, држејќи ја рачката.
► **Сл.27:** 1. Заден капак 2. Рачка
4. Испразнете ја корпата за трева.

ОДРЖУВАЊЕ

▲ ПРЕДУПРЕДУВАЊЕ: Секогаш проверувајте дали се извадени клучот за блокирање и касетата за батеријата од косилката пред да ја складирате, пренесувате или пред да вршите проверка или одржување.

▲ ПРЕДУПРЕДУВАЊЕ: Секогаш отстранувајте го клучот за блокирање кога косилката не е во употреба. Складирајте го клучот за блокирање на сигурно место вон дофат на деца.

▲ ПРЕДУПРЕДУВАЊЕ: Носете ракавици кога извршувате проверка или одржување.

▲ ПРЕДУПРЕДУВАЊЕ: Секогаш носете заштитна маска или заштитни очила со странични штитници при проверка или одржување.

ЗАБЕЛЕШКА: За чистење, не користете нафта, бензин, разредувач, алкохол или слично. Тие средства ја вадат бојата и може да предизвикаат деформации или пукнатини.

За да се одржи БЕЗБЕДНОСТА и СИГУРНОСТА на производот, поправките, одржувањата или дотерувањата треба да се вршат во овластени сервисни или фабрички центри на Makita, секогаш со резервни делови од Makita.

Одржување

1. Извадете го клучот за блокирање. Складирајте го на сигурно место вон дофат на деца.
2. Исклучете ја косилката само со помош на влажна крпа. Немојте да прксите или да турате вода на вашата косилка при чистењето.
3. Ставете ја косилката да лежи странично и исклучете ги снопочињата трева насобрани на долната страна од лежиштето на косилката.
4. Проверете дали сите навртки, завртки, тркала, стеги и сл. се добро стегнати.
5. Проверете дали подвижните делови се оштетени, скршени или изабени. Оштетените делови или деловите кои недостакуваат треба да се поправат или заменат.

Чување

▲ ПРЕДУПРЕДУВАЊЕ: Кога ја пренесувате или складирате косилката, не држете ги свитканите рачки, туку предната дршка на косилката. Ако ги држите само свитканите рачки, може да дојде до тешка повреда или оштетување на косилката.

Пред да ја складирате косилката, извадете ја касетата за батеријата и клучот за блокирање. Складирајте ја косилката во затворена просторија на ладно, суво и заклучено место. Не складирајте ги косилката и полначот на места каде што температурата може да достигне или надмине 40 °C.
► **Сл.28:** 1. Предна дршка 2. Задна дршка

1. Олабавете ги клемастите завртки и раширете ја долната рачка од двете страни. Повлечете ја надолу рачката напред. Во ова време, цврсто држете ја долната рачка за да не падне на подалечната страна од уредот на косилката.

► **Сл.29:** 1. Клемаста завртка 2. Долна рачка

2. Олабавете ги клемастите навртки и извртете ја горната рачка наназад додека ширите од двете страни.

► **Сл.30:** 1. Клемаста навртка 2. Горна рачка

3. Складирајте ја корпата за трева помеѓу рачката и уредот на косилката.

► **Сл.31:** 1. Корпа за трева

НАПОМЕНА: Кога ќе ја исправате косилката, не држете ја рачката, туку користете ја предната дршка на косилката.

Вадење или монтирање на сечилото од косилката

▲ ПРЕДУПРЕДУВАЊЕ: Секогаш вадете ги клучот за блокирање и батеријата кога го вадите или монтирате сечилото. Ако не ги извадите клучот за блокирање и батеријата, може да дојде до тешка повреда.

▲ ПРЕДУПРЕДУВАЊЕ: Сечилото продолжува слободно да врти уште неколку секунди по отпуштањето на прекинувачот. Не стартувајте ја работата додека не запре целосно сечилото.

▲ ПРЕДУПРЕДУВАЊЕ: Носете ракавици секогаш кога ракувате со сечилото.

Отстранување на сечилото на косилката

За DLM382

1. Поставете ја косилката да лежи странично така што рачката за прилагодување на височината на косење да дојде на горната страна.

2. За да го блокирате ротирањето на сечилото, вметнете шрафцигер или сличен алат во отворот на телото од косилката.

3. Свртете ја завртката налево со клучот.

► **Сл.32:** 1. Сечило на косилка 2. Шрафцигер
3. Клуч

4. Извадете ги завртката и сечилото по тој редослед.

► **Сл.33:** 1. Поддршка за сечилото 2. Сечило на косилка 3. Завртка

За DLM432

1. Поставете ја косилката да лежи странично така што рачката за прилагодување на височината на косење да дојде на горната страна.

2. За да го блокирате ротирањето на сечилото, вметнете шрафцигер или сличен алат во отворот на телото од косилката.

3. Свртете ја завртката налево со клучот.

► **Сл.34:** 1. Сечило на косилка 2. Шрафцигер
3. Клуч

4. Отстранете ги завртката, надворешната фланша, сечилото на косилката и внатрешната фланша по ред.

► **Сл.35:** 1. Внатрешна фланша 2. Сечило на косилка 3. Надворешна фланша
4. Завртка

Монтирање на сечилото на косилката

За да го монтирате сечилото, следете ја постапката за отстранување по обратен редослед.

▲ ПРЕДУПРЕДУВАЊЕ: Монтирајте го внимателно сечилото на косилката. Означено е кој дел е горе, а кој долу. Поставете го сечилото, така што стрелката за насока на ротација да е свртена нанадвор.

▲ ПРЕДУПРЕДУВАЊЕ: Стегнете ја завртката вртејќи ја на десно за да го прицврстите сечилото.

▲ ПРЕДУПРЕДУВАЊЕ: Проверете дали сечилото на косилката и сите делови за фиксирање се правилно монтирани и цврсто стегнати.

▲ ПРЕДУПРЕДУВАЊЕ: Кога ќе го заменувате сечилото, секогаш следете ги инструкциите обезбедени во овој прирачник.

РЕШАВАЊЕ ПРОБЛЕМИ

Пред да нарачате поправка, прво сами проверете ја состојбата. Ако најдете проблем што не е објаснет во упатството, не обидувајте се да го расклопите алатот. Наместо тоа, побарајте помош од овластените сервисни центри на Makita и секогаш користете делови за замена и поправка од Makita.

Состојба на аномалии	Можна причина (дефект)	Поправка
Косилката не стартува.	Не се монтирани две касети за батеријата.	Монтирајте ги наполнетите касети за батеријата.
	Проблем со батеријата (под напон)	Повторно наполнете ја касетата за батеријата. Ако полнењето нема ефект, заменете ја касетата за батеријата.
	Клучот за блокирање не е вметнат.	Вметнете го клучот за блокирање.
Моторот запира со работа по краткотрајна употреба.	Нивото на наполнетост на батеријата е ниско.	Повторно наполнете ја касетата за батеријата. Ако полнењето нема ефект, заменете ја касетата за батеријата.
	Височината на сечењето е многу ниска.	Зголемете ја височината на сечењето.
Моторот не ги достигнува максималните вртежи во минута.	Касетата за батеријата е неправилно монтирана.	Монтирајте ја касетата за батеријата како што е опишано во прирачникот.
	Моќта на батеријата опаѓа.	Повторно наполнете ја касетата за батеријата. Ако полнењето нема ефект, заменете ја касетата за батеријата.
	Системот на погонување не работи правилно.	Побарајте помош од локален овластен сервисен центар за поправка.
Сечилото на косилката не ротира: ⇒ веднаш запрете ја косилката!	Во близина на сечилото има заглавено туѓ предмет, како гранка.	Отстранете го туѓиот предмет.
	Системот на погонување не работи правилно.	Побарајте помош од локален овластен сервисен центар за поправка.
Абнормални вибрации: ⇒ веднаш запрете ја косилката!	Сечилото не е избалансирано или е прекумерно, или нерамномерно изабено.	Заменете го сечилото.

ОПЦИОНАЛЕН ПРИБОР

⚠ ВНИМАНИЕ: Овој прибор или додатоци се препорачуваат за користење со алатот од Makita дефиниран во упатството. Со користење друг прибор или додатоци може да се изложите на ризик од телесни повреди. Користете ги приборот и додатоците само за нивната назначена намена.

Ако ви треба помош за повеќе детали за приборот, прашајте во локалниот сервисен центар на Makita.

- Сечило на косилка
- Приклучок за компост
- Оригинална батерија и полнач на Makita

НАПОМЕНА: Некои ставки на листата може да се вклучени со алатот како стандарден прибор. Тие може да се разликуваат од држава до држава.

ТЕХНИЧКИ ПОДАЦИ

Модел:		DLM382	DLM432
Ширина кошења (пречник сечива)		380 мм	430 мм
Брзина без оптерећења		3.700 мин ⁻¹	3.600 мин ⁻¹
Број дела резервног сечива косилице		191D41-2	191D43-8
Димензије (Д x Ш x В)	током рада	Д: 1.380 мм до 1.410 мм Ш: 450 мм В: од 985 мм до 1.005 мм	Д: 1.435 мм до 1.490 мм Ш: 460 мм В: 1.005 мм до 1.045 мм
	када се одлаже (без корпе за траву)	860 мм x 450 мм x 475 мм	865 мм x 460 мм x 475 мм
Номинални напон		DC 36 V	
Нето тежина		16,2 – 16,9 кг	16,8 – 17,5 кг

- На основу нашег непрестаног истраживања и развоја задржавамо право измена наведених техничких података без претходне најаве.
- Спецификације могу да се разликују у различитим земљама.
- Тежина може да се разликује у зависности од наставака, укључујући и уложак батерије. Најлакша и најтежа комбинација, према процедури ЕПТА 01/2014, приказане су у табели.

Применљив уложак батерије


BL1815N / BL1820 / BL1820B / BL1830 / BL1830B / BL1840 / BL1840B / BL1850 / BL1850B / BL1860B

- Неки горенаведени улошки батерија можда неће бити доступни у зависности од места становања.

▲УПОЗОРЕЊЕ: Користите само горенаведене улошке батерије. Коришћење других уложака батерије може довести до повреде и/или пожара.

Симболи

У наставку су приказани симболи који се односе на опрему. Пре употребе се обавезно упознајте са њиховим значењем.

	Будите нарочито пажљиви и опрезни.
	Прочитајте упутство за употребу.
	Опасност, пазите на бачене предмете.
	Растојање између алата и посматрача мора да буде најмање 15 м.
	Никада немојте стављати руке нити стопала близу сечива испод косилице. Сечива настављају да ротирају након што се мотор искључи.
	Извадите кључ за закључавање пре провере, подешавања, чистења, сервисирања, остављања и одлагања косилице.
	Само за земље ЕУ Немојте да одлажете електричну опрему или батерију заједно са отпадом из домаћинства! У складу са европским директивама о електричном и електронском отпаду, батеријама и акумулаторима и истрошеним батеријама и акумулаторима и применом ових директива у складу са државним законима, електричну опрему, батерије и њихова паковања на крају радног века неопходно је одвојено прикупити и вратити у еколошки прихватљиво постројење за рециклажу.

Намена

Машина је намењена за кошење травњака.

Бука

Типичан А-пондерисани ниво буке одређен је према стандарду EN60335-2-77:

Модел DLM382

Ниво звучног притиска (L_{pA}): 81 dB (A)

Ниво звучне снаге (L_{WA}): 91 dB (A)

Несигурност (K): 3 dB (A)

Модел DLM432

Ниво звучног притиска (L_{pA}): 81 dB (A)

Ниво звучне снаге (L_{WA}): 92 dB (A)

Несигурност (K): 3 dB (A)

НАПОМЕНА: Декларисане вредности емисије буке су измерене према стандардизованом мерном поступку и могу се користити за упоређивање алата.

НАПОМЕНА: Декларисана вредност емисије буке се такође може користити за прелиминарну процену изложености.

▲УПОЗОРЕЊЕ: Носите заштитне слушалице.

▲УПОЗОРЕЊЕ: Емисије буке током стварне примене електричног алата могу се разликовати од декларисане вредности у зависности од начина на који се користи алат, а посебно која врста предмета се обрађује.

▲УПОЗОРЕЊЕ: Уверите се да сте идентификовали безбедносне мере за заштиту руковаоца које су засноване на процени изложености у стварним условима употребе (узимајући у обзир све делове радног циклуса, као што је време рада уређаја, али и време када је алат искључен и када ради у празном ходу).

Вибрације

Укупна вредност вибрација (векторски збир по три осе) одређена је према стандарду EN60335-2-77:

Модел DLM382

Вредност емисије вибрација (a_h): 2,5 м/с² или мања
Несигурност (К): 2,0 м/с²

Модел DLM432

Вредност емисије вибрација (a_h): 2,5 м/с² или мања
Несигурност (К): 1,5 м/с²

НАПОМЕНА: Декларисане укупне вредности вибрација су измерене према стандардизованом мерном поступку и могу се користити за упоређивање алата.

НАПОМЕНА: Декларисане укупне вредности вибрација се такође могу користити за прелиминарну процену изложености.

▲УПОЗОРЕЊЕ: Вредност емисије вибрација током стварне примене електричног алата може се разликовати од декларисане вредности у зависности од начина на који се користи алат, а посебно која врста предмета се обрађује.

▲УПОЗОРЕЊЕ: Уверите се да сте идентификовали безбедносне мере за заштиту руковаоца које су засноване на процени изложености у стварним условима употребе (узимајући у обзир све делове радног циклуса, као што је време рада уређаја, али и време када је алат искључен и када ради у празном ходу).

ЕЗ декларација о усаглашености

Само за европске земље

ЕЗ декларација о усаглашености део је Додатка А у овом приручнику са упутствима.

БЕЗБЕДНОСНА УПОЗОРЕЊА

ВАЖНА БЕЗБЕДНОСНА УПУТСТВА

▲УПОЗОРЕЊЕ: Прочитајте сва безбедносна упозорења и сва упутства. Непоштовање упозорења и упутстава може изазвати струјни удар, пожар и/или тешке телесне повреде.

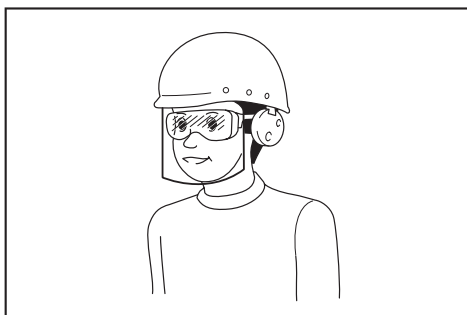
Сачувајте сва упозорења и упутства за будуће потребе.

Обука

1. Пажљиво прочитајте упутства. Упознајте се са управљачким елементима и одговарајућом употребом косилице.
2. Никада немојте дозволити да косилицу користе деца и особе које нису упознате са овим упутствима. Локални прописи можда ограничавају старост особе која сме користити овај уређај.
3. Никада не укључујте косилицу док су у близини људи, посебно деца, или кућни љубимци.
4. Имајте на уму да је корисник или руковалац одговоран за несрећне случајеве или опасност која је изазвана другим људима или њиховој имовини.
5. Надгледајте децу како бисте били сигурни да се неће играти косилицом.
6. Физичко стање – Немојте да користите косилицу ако сте под утицајем наркотика, алкохола или било ког лека.

Припрема

1. Док радите с косилицом, увек носите чврсту обућу и дуге панталоне. Немојте користити косилицу боси или са отвореним сандалама. Избегавајте да носите одећу или накит који прате линију тела или из којих висе врпце или нити. Може се догодити да буду захваћени покретним деловима.
2. Пре употребе, увек визуелно прегледајте да ли косилица има штитице или штитове који су оштећени, недостају или су погрешно постављени.
3. Пре кошења проверите да у близини нема других људи. Зауставите косилицу ако се неко појави у близини.
4. Немојте да убацујете кључ за закључавање у косилицу пре него што буде спремна за употребу.
5. Увек носите безбедносне наочаре како бисте заштитили очи од повреда приликом коришћења електричног алата. Наочаре морају да буду у складу са стандардом ANSI Z87.1 у САД, са стандардом EN 166 у Европи или AS/NZS 1336 у Аустралији / на Новом Зеланду. У Аустралији / на Новом Зеланду је законски обавезно носити и штитник за лице, како бисте заштитили лице.



Послодавац је одговоран да руковаоце алатом и друге особе у радном окружењу обавезе на употребу одговарајуће опреме за заштиту.

6. Пре рада прегледајте пажљиво да ли на сечивима или завртњима сечива постоје пукотине или оштећења. Одмах замените сечива или завртње сечива који су напукли или оштећени.
7. Из радног подручја пре кошења уклоните камење, жице, боце, кости и дугачко пруже како бисте спречили телесне повреде или оштећења на косилицу.
8. Предмети које сечиво косилице одбацају могу особама да нанесу озбиљне повреде. Травњак пре кошења увек мора да буде пажљиво проверен и очишћен од свих предмета.
9. Пазите на рупе, бразде, неравнине, камење или друге скривене предмете. Неједначан терен може да проузрокује незгоду због клизања или пада. Висока трава може да крије препреке.

Рад

1. Немојте се нагињати. Увек одржавајте равнотежу. Увек пазите где газите на нагнутом терену. Ходајте и немојте да трчите.
 2. Зауставите косилицу и извадите кључ за закључавање, па се уверите да су се сви покретни делови потпуно зауставили:
 - кад год остављате косилицу,
 - пре уклањања страног тела или отпушавања цеви,
 - пре провере, чишћења или радова на косилицу,
 - након удараца у неки предмет. Прегледајте да ли на косилицу има оштећења и извршите поправке пре поновног покретања и коришћења косилице,
 - кад год косилица почне абнормално да вибрира.
 3. Никада немојте користити косилицу са неисправним штитницима или штитовима, без постављених заштитних делова, на пример штитника и/или корпе за траву.
 4. Избегавајте да користите косилицу у лошим временским условима, нарочито када постоји ризик од удара грома.
 5. Док рукујете косилицом носите штитник за очи и заштитну обућу.
 6. Косилицу користите само под дневним светлом или под добрим вештачким осветљењем.
 7. Пажљиво укључите косилицу у складу са упутствима и са стопалима удаљеним од сечива.
 8. Пазите да вам сечиво косилице не повреди стопала или шаке.
 9. Постарајте се да у вентилационим отворима не буде отпадака.
10. Косите попреко у односу на површину нагиба, никако уздуж. Будите веома опрезни када мењате правац на терену са нагибом. Немојте косити на терену са превише стрмим нагибом.
 11. Будите изузетно пажљиви када мењате смер или вучете косилицу према себи.
 12. Зауставите сечиво (сечива) ако косилица треба да се нагне ради преношења преко површина које нису травнате, и када се косилица преноси на или са површине на којој треба да се користи.
 13. Немојте да нагињете косилицу када укључујете мотор, осим ако косилица мора да буде нагнута приликом покретања. У овом случају, не сме се нагињати више него што је заиста неопходно, при чему треба да буде подигнут само део који је даљи у односу на руковаоца. Увек се побрините за то да су обе руке у радном положају пре него што вратите косилицу на земљу.
 14. Не стављајте руке или стопала близу ротирајућих делова или испод њих. Увек се држите даље од отвора цеви за избацивање.
 15. Не транспортујте косилицу док је косилица укључена.
 16. Избегавајте да користите косилицу по мокрој трави.
 17. Немојте никада да користите косилицу по киши.
 18. Ручку увек држите чврсто.
 19. Немојте да хватате истурена сечива или резне ивице када подижете или придржавате косилицу.
 20. Држите руке и стопала што даље од ротирајућих сечива. Опрез – Сечива успоравају након што се косилица искључи.
 21. Одмах зауставите рад ако приметите било шта необично. Искључите косилицу и извадите кључ за закључавање. Затим проверите косилицу.
 22. Никада немојте покушавати да подесите висину кошења док је косилица у покрету ако косилица има функцију подешавања висине кошења.
 23. Отпустите полугу прекидача и сачекајте да се ротирање сечива заустави пре преласка преко прилазних путева, пешачких стаза, друма и било којих површина прекривених шљунком. Такође, извадите кључ за закључавање ако остављате косилицу, сагнијете се да покупите или склоните нешто са пута, или из било ког разлога који вам скреће пажњу са рада.
 24. Ако косилица избаци неки предмет, пратите ове кораке:
 - Зауставите косилицу, отпустите полугу прекидача и сачекајте да се сечиво потпуно заустави.
 - Извадите кључ за закључавање и уложак батерије.
 - Темељно прегледајте да на косилицу нема неких оштећења.
 - Замените сечиво ако је на било који начин оштећено. Отклоните било каква оштећења пре поновног покретања и наставка рада са косилицом.
 25. Не покрећите косилицу стојећи испред отвора за избацивање.

26. Ако косилица почне абнормално да вибрира (одмах проверите)
 - прегледајте да ли има оштећења,
 - замените или поправите било какве оштећене делове,
 - проверите и затегните било какве лабаве делове.
27. Никада немојте да усмеравате испразњени материјал према некоме. Избегавајте прахњење материјала према зиду или препреци. Материјал може да одскочи према руковаоцу. Зауставите сечиво када прелазите шљунчане површине.
28. Не вуците косилицу уназад ако то није неопходно. Уколико сте принуђени да вратите косилицу уназад од оgrade или друге сличне препреке, гледајте надоле и иза себе пре и за време кретања уназад.
29. Пре уклањања хватача за траву, искључите мотор и сачекајте да се сечиво у потпуности заустави. Водите рачуна о томе да се сечива успорено заустављају након искључивања.

Одржавање и складиштење

1. Замените похабане или оштећене делове ради безбедности. Користите оригиналне резервне делове и додатни прибор.
2. Редовно проверавајте и одржавајте косилицу.
3. Чувајте косилицу изван домаћаја деце када је не користите.
4. Одржавајте све матице, завртње и вијке притегнути да би опрема била безбедна у радним условима.
5. Често проверавајте да ли је корпа за траву похабана или оштећена. Приликом складиштења алата увек водите рачуна да корпа за траву буде празна. Замените похабану корпу за траву новом фабричком резервном корпом ради безбедности.
6. Користите само оригинална сечива произвођача наведена у овом приручнику.
7. Будите пажљиви током подешавања косилице да бисте спречили да вам покретна сечива и причвршћени делови косилице захвате прсте.
8. Немојте прати цревом; избегавајте да вода допре у мотор и до електричних веза.
9. Учестало проверавајте да ли је вијак за монтирање сечива правилно причвршћен.
10. Увек оставите косилицу да се охлади пре него што је одложите.
11. Када сервисирате сечива, обратите пажњу да се сечива још увек могу покретати, чак и када је извор напајања искључен.
12. Никада немојте да уклањате или ометате сигурносне уређаје. Редовно проверавајте њихов правилан рад. Никада немојте да радите било шта што омета предвиђену функцију сигурносног уређаја или смањује заштиту коју пружа сигурносни уређај.

Коришћење и одржавање алата са батеријом

1. Пуните батерију искључиво помоћу пуњача који је навео произвођач. Ако се пуњач који је намењен за одређену врсту батерије користи са другом батеријом, може да дође до опасности од пожара.

2. Електричне алате користите само са батеријама које су предвиђене за њих. Коришћење других врста батерија може да изазове ризик од повреде и пожара.
3. Када се батерија не користи, држите је даље од других металних предмета, попут спајалица, новчића, кључева, ексера, завртања и других малих металних предмета који могу да преспоје два прикључка. Кратак спој између прикључака батерије може да доведе до опекотина или пожара.
4. У случају злоупотребе батерије из ње може исцурити течност. У том случају, пазите да не дођете у додир с њом. Ако случајно дођете у додир с батеријом, исперите место додира водом. Ако течност доспе у очи, потражите и помоћ лекара. Течност која исцури из батерије може да изазове иритацију или опекотине.
5. Немојте да користите батерију или алат који су оштећени или модификовани. Оштећене или модификоване батерије могу испоштити непредвидиво понашање које може довести до пожара, експлозије или ризика од задобијања повреда.
6. Немојте да излажете батерију или алат ватри или високој температури. Излагање ватри или температури изнад 130 °C може довести до експлозије.
7. Придржавајте се свих упутстава за пуњење и немојте да пуните батерију или алат изнад опсега температуре који је наведен у упутствима. Неисправно пуњење или пуњење на температурама изнад наведеног опсега може оштетити батерију и повећати ризик од пожара.

Заштита електричних инсталација и акумулатора

1. Батерије немојте бацати у ватру. Могле би да експлодирају. Проверите да ли локални закони предвиђају посебна упутства за одлагање.
2. Немојте да отварате или разбијате батерије. Ослобођени електролит је корозиван и може да повреди очи или кожу. Може да буде токсичан уколико се прогута.
3. Немојте да пуните батерију на киши или на влажним местима.
4. Немојте да пуните батерију на отвореном.
5. Не дирајте пуњач, укључујући утикач пуњача и прикључке пуњача мокрим рукама.

Сервисирање

1. Електрични алат треба да сервисира квалификована особа која ће користити само идентичне резервне делове. То ће омогућити безбедно коришћење електричног алата.
2. Никада немојте сервисирати оштећене батерије. Сервисирање батерија треба обављати само произвођач или овлашћени добављач услуга.

САЧУВАЈТЕ ОВО УПУТСТВО.

▲УПОЗОРЕЊЕ: НЕМОЈТЕ себи да дозволите да занемарите строга безбедносна правила која се односе на овај производ услед чињенице да сте производ добро упознали и стекли рутину у руковању њиме (услед често коришћења).

НЕНАМЕНСКА УПОТРЕБА или непоштовање безбедносних правила наведених у овом упутству могу довести до тешких телесних повреда.

Важна безбедносна упутства која се односе на уложак батерије

1. Пре употребе уложка батерије, прочитајте сва упутства и безбедносне ознаке на (1) пуњачу батерије, (2) батерији и (3) производу који користи батерију.
2. Немојте да расклапате уложак батерије.
3. Ако се време рада знатно скратило, одмах престаните са коришћењем. То може да доведе до ризика од прегревања, могућих опекотина, па чак и експлозије.
4. Ако електролит доспе у очи, исперите их чистом водом и одмах затражите помоћ лекара. То може да доведе до губитка вида.
5. Немојте да изазивате кратак спој уложка батерије:
 - (1) Немојте додиривати прикључке било којим проводним материјалом.
 - (2) Избегавајте складиштење уложка батерије у кутији са другим металним предметима као што ексери, новчићи итд.
 - (3) Немојте да излажете уложак батерије води или киши.

Кратак спој батерије може да доведе до великог протока струје, прегревања, могућих опекотина, па чак и прегоривања.

6. Немојте да складиштите алат и уложак батерије на местима где температура може да достигне или премаши 50°C (122°F).
7. Немојте да палите уложак батерије чак ни када је озбиљно оштећен или потпуно похабан. Уложак батерије може да експлодира у ватри.
8. Пазите да не испустите и не ударите батерију.
9. Немојте да користите оштећену батерију.
10. Садржане литијум-јонске батерије подлежу законској о превозу опасних материја.

Приликом комерцијалног превоза, нпр. од стране трећих лица и превозника, мора се обратити посебна пажња на специјалне захтеве паковања и обележавања.

Приликом припреме материјала за превоз, потребно је саветовати се са стручњаком за опасне материје. Такође обратите пажњу на евентуалне даље националне прописе.

Омотајте траком или прекријте отворене контакте и запакујте батерију тако да се не може померати унутар паковања.

11. Када одлажете уложак батерије на отпад, извадите га из алата и одложите на безбедно место. Придржавајте се локалних прописа у вези са одлагањем батерије.
12. Батерије користите само са производима које је навела компанија Makita. Постављање батерије на производе који нису услагашени може да доведе до пожара, прекомерне топлоте, експлозије или цурења електролита.

13. Ако се алат не користи током дужег периода, батерија мора да се извади из алата.

САЧУВАЈТЕ ОВО УПУТСТВО.

▲ПАЖЊА: Користите само оригиналне Makita батерије. Коришћење Makita батерија које нису оригиналне или батерија које су измењене може да доведе до пуцања батерије, које може да изазове пожар, телесне повреде или штету. То ће такође поништити гаранцију компаније Makita за Makita алат и пуњач.

Савети за максимално трајање батерије

1. Напуните уложак батерије пре него што се потпуно испразни. Сваки пут прекините рад са алатом и напуните уложак батерије када приметите да је снага алата слабија.
2. Никада немојте да поново пуните потпуно напуњени уложак батерије. Препуњавање скраћује радни век батерије.
3. Пуните уложак батерије на собној температури између 10°C и 40°C (између 50°F и 104°F). Сачекајте да се врући уложак батерије охлади пре пуњења.
4. Напуните уложак батерије ако га нећете користити дуже време (више од шест месеци).

СКЛАПАЊЕ

▲УПОЗОРЕЊЕ: Увек проверите да ли су кључ за закључавање и уложак батерије извађени пре него што приступите било каквим радовима на косици. Ако се кључ за закључавање и уложак батерије не изваде може доћи до наносења озбиљних телесних повреда услед случајног покретања.

▲УПОЗОРЕЊЕ: Никада немојте да покрећете косилицу ако није у потпуности склопљена. Рад са делимично склопљеном машином може да доведе до озбиљних телесних повреда услед случајног покретања.

Постављање поклопца батерије

▲УПОЗОРЕЊЕ: Немојте убацивати кључ за закључавање и уложак батерије пре него што поставите поклопац батерије. У супротном може да дође до озбиљних повреда.

Пре него што почнете са радом, правилно поставите поклопац батерије. Поклопац батерије штити косилицу и уложак батерије од блага, прљавштине и воде.

1. Поставите поклопац батерије тако да испуњења на косици буду поравната са отворима на поклопцу батерије.

► **Слика1:** 1. Испуњење 2. Отвор 3. Поклопац батерије

2. Ставите руке на средину поклопца батерије и гурните га.

► **Слика2**

3. Пре првог коришћења проверите да ли је осна тачка поклопаца батерије исправно постављена. Ако је поклопац батерије исправно постављен, неће се отворити све док не повучете полуку за закључавање поклопаца батерије.

► **Слика3:** 1. Осна тачка 2. Полука за закључавање поклопаца батерије

Постављање ручке

ОБАВЕШТЕЊЕ: Када постављате ручке, каблови морају да буду позиционирани тако да између ручки ничим не буду захваћени. Ако је кабл оштећен, прекидач косилице можда неће радити.

1. Померите оба краја доње ручке у жлеб косилице, а затим до краја затегните завртње за причвршћивање.

► **Слика4:** 1. Завртањ за причвршћивање 2. Доња дршка

2. Поравнајте отворе за завртње на горњој и на доњој ручки. Причврстите их уз помоћ завртања за причвршћивање и навртки за притезање.

► **Слика5:** 1. Навртка за притезање 2. Завртањ за причвршћивање

НАПОМЕНА: Чврсто држите горњу ручку да вам не би исклизнула из руку.

3. Поставите држаче на ручку. Поставите кабл за напајање као што је приказано на слици.

► **Слика6:** 1. Држач

Уклањање додатка за малчовање

Опциони додатни прибор

1. Отворите задњи поклопац.

► **Слика7:** 1. Задњи поклопац

2. Држите додатак за малчовање за ручку, а затим га извучите из кућишта косилице као што је приказано на слици.

► **Слика8:** 1. Додатак за малчовање 2. Ручка

Постављање корпе за траву

1. Отворите задњи поклопац.

► **Слика9:** 1. Задњи поклопац

2. Закачите корпу за траву на шипку кућишта косилице као што је приказано на слици.

► **Слика10:** 1. Кука 2. Шипка 3. Корпа за траву

Прикључивање додатка за малчовање

Опциони додатни прибор

1. Отворите задњи поклопац и уклоните корпу са травом.

► **Слика11:** 1. Задњи поклопац 2. Корпа за траву

2. Држите додатак за малчовање за ручку, а затим га прикључите на кућиште косилице као што је приказано на слици.

► **Слика12:** 1. Додатак за малчовање 2. Ручка

ОПИС НАЧИНА ФУНКЦИОНИСАЊА

Постављање и уклањање улошка батерије

▲ **ПАЖЊА:** Увек искључите машину пре постављања или уклањања улошка батерије.

▲ **ПАЖЊА:** Уверите се да сте закључали поклопац батерије пре употребе. У супротном блато, прљавштина или вода могу да узрокују штету на производу или улошку батерије.

▲ **ПАЖЊА:** Увек до краја гурните уложак батерије тако да се црвени индикатор не види. У супротном, он случајно може испасти из машине и повредити вас или неку особу у вашој близини.

▲ **ПАЖЊА:** Немојте на силу да постављате уложак батерије. Ако уложак не можете лако да гурнете, то значи да га не постављате исправно.

НАПОМЕНА: Машина не ради са само једним улошком батерије.

Да поставите уложак батерије;

1. Померите полуку за закључавање поклопаца батерије и отворите поклопац батерије.

► **Слика13:** 1. Поклопац батерије 2. Полука за закључавање поклопаца батерије

2. Поравнајте језицан на улошку батерије са отвором на косилици, затим померите уложак тако да улегне на своје место и зачује се клик.

► **Слика14:** 1. Уложак батерије

3. Убаците кључ за закључавање на место које је назначено на приказу колико год може да допре.

► **Слика15:** 1. Кључ за закључавање

4. Затворите поклопац батерије и гурните га док се не закочи полуком за закључавање.

Да уклоните уложак батерије из косилице;

1. Померите полуку за закључавање поклопаца батерије и отворите поклопац батерије.

2. Извучите уложак батерије из косилице, док клизањем померате дугме на предњој страни улошка.

3. Извучите кључ за закључавање.

4. Затворите поклопац батерије.

Систем за заштиту машине/ батерије

Машина је опремљена системом за заштиту машине/батерије. Овај систем аутоматски прекида напајање мотора како би продужио век трајања алата и батерије. Машина ће се аутоматски зауставити током рада ако машина или батерија уђу у једно од следећих стања.

Заштита од преоптерећења

Када се машином рукује тако да она вуче превелику струју, машина ће се аутоматски зауставити без упозорења. У овој ситуацији, искључите машину и престаните са употребом која је довела до њеног преоптерећења. Затим укључите машину да бисте је поново покренули.

Заштита од прегревања

Када се машина прегреје, она ће се аутоматски зауставити. Сачекајте да се машина охлади пре него што је поново укључите.

Заштита од превеликог пражњења

Када се капацитет батерије смањи, машина се аутоматски искључује. Ако производ не ради чак ни када се активирају прекидачи, уклоните батерију из машине и напуните је.

Приказ преосталог капацитета батерије

► **Слика16:** 1. Индикатор батерије







Када преостали капацитет батерије постане низак, индикатор батерије трепери на одговарајућој страни батерије. Ако наставите са употребом, машина престаје са радом и индикатор батерије светли око 10 секунди. У том случају напуните уложак батерије.

Приказ преосталог капацитета батерије

Само за уложке батерије са индикатором

► **Слика17:** 1. Индикаторске лампце 2. Дугме за проверу

Притисните дугме за проверу на уложку батерије да бисте приказали преостали капацитет батерије. Индикаторске лампце ће се укључити на неколико секунди.

Индикаторске лампце			Преостали капацитет
 Светли	 Искључено	 Трепће	
			Од 75% до 100%
			Од 50% до 75%
			Од 25% до 50%
			Од 0% до 25%
			Напуните батерију.
	 ↑ ↓ 		Могуће је да је батерија постала неисправна.

НАПОМЕНА: У зависности од услова коришћења и температуре околине, приказани капацитет може донекле да се разликује од стварног.

Функционисање прекидача

▲УПОЗОРЕЊЕ: Пре постављања уложка батерије, увек проверите да ли полуга прекидача правилно функционише и враћа се у првобитни положај када се отпусти. Рад са машином на којем прекидач не функционише правилно може да доведе до губитка контроле и тешких телесних повреда.

НАПОМЕНА: Косилица не може да се покрене без притиска на дугме прекидача чак и ако је полуга прекидача повучена.

НАПОМЕНА: Косилица се можда неће покренути због преоптерећења ако покушате да косите дугачку или густу траву. У овом случају повећајте висину кошења.

Ова косилица опремљена је прекидачем за забрављавање и ручком са прекидачем. Ако приметите било шта необично у вези са било којим од ових прекидача, одмах престаните са радом и проверите их код најближег овлашћеног сервисног центра Makita.

1. Поставите уложке батерије. Убаците кључ за закључавање у прекидач за забрављавање, а затим затворите поклопац батерије.

► **Слика18:** 1. Уложак батерије 2. Кључ за закључавање

2. Притисните и задржите дугме прекидача.

3. Узмите горњу ручку и повуците полугу прекидача.

► **Слика19:** 1. Дугме прекидача 2. Полуга прекидача

4. Отпустите дугме прекидача чим се мотор покрене. Косилица ће наставити да се покреће све док не отпустите полугу прекидача.

5. Отпустите полугу прекидача да бисте зауставили мотор.

Подешавање висине кошења

▲УПОЗОРЕЊЕ: Никада немојте стављати руку или ногу испод јединице за кошење када подешавате висину кошења.

▲УПОЗОРЕЊЕ: Пре него што почнете са радом увек проверите да ли полуга правилно налаже на жлеб.

Висина кошења може да се подеси у опсегу између 20 мм и 75 мм.

1. Извадите кључ за закључавање.

2. Извуците полугу за подешавање висине кошења ка спољашњости из јединице за кошење и померите је на жељену висину кошења.

► **Слика20:** 1. Полуга за подешавање висине кошења

НАПОМЕНА: Слика са приказаном висином кошења даје само оквирну информацију. У зависности од стања траве или земље, стварна висина кошења може донекле да се разликује од подешене висине.

НАПОМЕНА: Покушајте пробно да косите траву на мање уочљивим местима како бисте утврдили жељену висину.

Показивач нивоа траве

► Слика21: 1. Показивач нивоа траве

Показивач нивоа траве показује количину покошене траве.

- Када корпа за траву није пуна, показивач лебди током кошења.
- Када је корпа за траву пуна, показивач током кошења мирује. У овом случају, одмах зауставите кошење и испразните корпу. Када испразните корпу, очистите тако да кроз њену мрежу може да пролази ваздух.

НАПОМЕНА: Овај показивач даје само оквирну информацију. У зависности од услова унутар корпе, показивач можда неће правилно радити.

Коришћење додатка за малчовање

Опциони додатни прибор

Додатак за малчовање вам омогућава да вратите покошену траву на земљу, без прикупљања у корпу за траву. Када користите машину са додатком за малчовање, обавезно уклоните корпу за траву.

ОБАВЕШТЕЊЕ: Када користите машину са додатком за малчовање, уверите се да је укупна дужина траве 30 мм или више или дужина сечења 15 мм или мање.

► Слика22: (1) 30 мм или више (2) 15 мм или мање

РАД

Кошење

▲УПОЗОРЕЊЕ: Пре кошења уклоните пруће и камење из подручја у коме ћете да косите. Затим унапред склоните и било какав коров из подручја у коме ћете да косите.

▲УПОЗОРЕЊЕ: Увек користите заштитну маску или заштитне наочаре са бочним штитницима када радите помоћу косилице.

▲ПАЖЊА: Ако се покошена трава или страни тело заглаве у кућишту косилице, обавезно извадите кључ за закључавање и уложак батерије и носите рукавице док уклањате траву или страни тело.

ОБАВЕШТЕЊЕ: Користите ову машину само за кошење травњака. Немојте да косите коров са овом машином.

► Слика23

Чврсто држите ручку са обе руке када косите.

Смерница брзине кошења је приближно 1 метар на 4 секунде.

► Слика24

Спољашње ивице на предњим точковима представљају смернице за ширину кошења. Користећи спољашње ивице на предњим точковима као смернице, косите у тракама. Да бисте травњак покосили равномерно, преклапањем обухватите од једне половине до једне трећине претходне траке.

► Слика25: 1. Ширина кошења 2. Подручје преклопа 3. Спољашње ивице

Сваку пут мењајте смер кошења, како травњак не би био кошен само у једном правцу.

► Слика26

Периодично проверите корпу за траву и покошену траву у њој. Испразните траву пре него што се корпа напуни. Пре сваке периодичне провере, уверите се да сте зауставили косилицу и извадите кључ за закључавање, као и уложак батерије.

ОБАВЕШТЕЊЕ: Коришћење косилице са пуном корпом за траву спречава неометано обртање сечива и додатно оптерећује мотор, што може да узрокује хаварију.

Кошење високе траве

Немојте покушавати да покосите високу траву једним преласком. Уместо тога, косите траву у корацима. Оставите да прође дан или два између кошења док трава не буде подједнако кратка.

НАПОМЕНА: Кошење високе траве на ниску висину једним преласком може да изазове одумирање траве. Покошена трава такође може да блокира унутрашњост јединице за кошење.

Пражњење корпе за траву

▲УПОЗОРЕЊЕ: Да бисте смањили ризик од незгоде, редовно проверавајте да корпа за траву није оштећена или да није ослабела. Замените корпу за траву ако је потребно.

1. Отпустите полуку прекидача.
2. Извадите кључ за закључавање.
3. Отворите задњи поклопац и извадите корпу за траву држећи је за ручку.

► Слика27: 1. Задњи поклопац 2. Ручка

4. Испразните корпу за траву.

ОДРЖАВАЊЕ

▲УПОЗОРЕЊЕ: Увек се уверите да су кључ за закључавање и уложак батерије извађени из косилице пре одлагања или преношења косилице, односно обављања прегледа или радова одржавања.

▲УПОЗОРЕЊЕ: Увек извадите кључ за закључавање кад се косилица не користи. Чувајте кључ за закључавање на безбедном месту ван домаћаја деце.

▲УПОЗОРЕЊЕ: Када обављате радове провере или одржавања носите рукавице.

▲УПОЗОРЕЊЕ: Увек користите заштитну маску или заштитне наочаре са бочним штитницима када обављате преглед или радове одржавања.

ОБАВЕШТЕЊЕ: Никад немојте да користите нафту, бензин, разређивач, алкохол и слична средства. Може доћи до губитка боје, деформације или оштећења.

БЕЗБЕДАН и ПОУЗДАН рад алата гарантујемо само ако поправке, свако друго одржавање или подешавање, препустите овлашћеном сервису компаније Makita или фабричком сервису, уз употребу оригиналних резервних делова компаније Makita.

Одржавање

1. Извадите кључ за закључавање. Чувајте га на безбедном месту ван домаћаја деце.
2. Косилицу чистите само уз помоћ влажне тканине. Немојте распрскивати воду по косилицу нити је поливати водом током чишћења.
3. Поставите косилицу на бок и очистите остатке траве који су се нагомилали са унутрашње стране покривне плоче косилице.
4. Проверите затегнутост свих матица, вијака, полуга, завртњева, елемената за причвршћивање итд.
5. Прегледајте да покретни делови нису оштећени, сломљени или похабани. Оштећене делове или делове који недостају треба поправити или заменити.

Чување

▲УПОЗОРЕЊЕ: Приликом преношења или одлагања косилице, немојте је држати за пресавијене ручке већ за предњи рукохват косилице. Ако држите само за пресавијене ручке може да дође до озбиљних повреда или оштећења косилице.

Пре него што одложите косилицу извадите уложак батерије и кључ за закључавање.

Чувајте косилицу у затвореном сувом и хладном закључаном простору. Косилицу и пуњач немојте чувати на местима на којима температура може да достигне или премаше 40 °С.

► **Слика28:** 1. Предњи рукохват 2. Задњи рукохват

1. Олабавите завртње за причвршћивање и проширите доњу ручку на обе стране. Спустите ручку унапред. Потом чврсто ухватите доњу ручку тако да не испадне на дужу страну јединице за кошење.

► **Слика29:** 1. Завртањ за причвршћивање 2. Доња дршка

2. Олабавите навртке за притезање и окрените горњу ручку назад док проширујете обе стране.

► **Слика30:** 1. Навртка за притезање 2. Горња ручка

3. Држите корпу за траву између ручке и јединице за кошење.

► **Слика31:** 1. Корпа за траву

НАПОМЕНА: Када косилицу постављате у усправни положај, немојте је држати за ручку већ за предњи рукохват косилице.

Уклањање или постављање сечива косилице

▲УПОЗОРЕЊЕ: Увек извадите кључ за закључавање и уложак батерије када уклањате или постављате сечива. Ако се кључ за закључавање и уложак батерије не изваде, може доћи до наношења озбиљних повреда.

▲УПОЗОРЕЊЕ: Сечиво успорава за неколико секунди након отпуштања прекидача. Немојте започињати никакав рад све док се сечиво не заустави.

▲УПОЗОРЕЊЕ: Увек носите рукавице док рукујете сечивом.

Уклањање сечива косилице

За модел DLM382

1. Положите косилицу на бочну страну тако да полуга за подешавање висине кошења буде са горње стране.

2. За закључавање ротирања сечива, уметните одвијач или сличан алат у отвор на кућишту косилице.

3. Кључем затегните вијак у смеру супротном у односу на кретање казаљке сата.

► **Слика32:** 1. Сечиво косилице 2. Одвијач 3. Кључ

4. Редом извадите завртањ и сечиво.

► **Слика33:** 1. Носач сечива 2. Сечиво косилице 3. Завртањ

За модел DLM432

1. Положите косилицу на бочну страну тако да полуга за подешавање висине кошења буде са горње стране.

2. За закључавање ротирања сечива, уметните одвијач или сличан алат у отвор на кућишту косилице.

3. Кључем затегните вијак у смеру супротном у односу на кретање казаљке сата.

► **Слика34:** 1. Сечиво косилице 2. Одвијач 3. Кључ

4. Уклоните редом: завртањ, спољну прирубницу, сечиво косилице, унутрашњу прирубницу.

► **Слика35:** 1. Унутрашња прирубница 2. Сечиво косилице 3. Спољна прирубница 4. Завртањ

Постављање сечива косилице

Да бисте поставили сечиво косилице, примените поступак за скидање обрнутим редоследом.

▲УПОЗОРЕЊЕ: Пажљиво поставите сечиво косилице. Оно има горњу и доњу страну. Поставите сечиво тако да стрелица за означавање правца ротације буде окренута ка спољашњости.

▲УПОЗОРЕЊЕ: Снажно затегните завртањ у смеру казаљке сата да бисте причврстили сечиво.

▲УПОЗОРЕЊЕ: Уверите се да су сечиво косилице и сви делови за фиксирање правилно постављени и чврсто затегнути.

▲УПОЗОРЕЊЕ: Увек пратите упутства из овог приручника када мењате сечива.

РЕШАВАЊЕ ПРОБЛЕМА

Пре него што затражите поправку, најпре сами извршите преглед. Уколико наиђете на проблем који није објашњен у упутству, не покушавајте да расклопите алат. Уместо тога тражите поправке од овлашћених сервисних центара Makita и увек користите оригиналне Makita резервне делове приликом поправки.

Неисправно стање	Вероватан узрок (квар)	Отклањање квара
Косилица не може да се покрене.	Два уложка батерије нису постављена.	Поставите напуњене уложке батерије.
	Проблем са батеријом (поднапон)	Напуните уложак батерије. Ако пуњење не буде успешно, замените уложак батерије.
	Кључ за закључавање није убачен.	Убаците кључ за закључавање.
Мотор престаје са радом после кратке употребе.	Ниво напуњености батерије је низак.	Напуните уложак батерије. Ако пуњење не буде успешно, замените уложак батерије.
	Висина сечења је прениска.	Повећајте висину сечења.
Мотор не постиже максимални бр. обртаја по мин.	Уложак батерије није правилно постављен.	Поставите уложак батерије као што је описано у овом приручнику.
	Снага батерије опада.	Напуните уложак батерије. Ако пуњење не буде успешно, замените уложак батерије.
	Погонски систем не ради како треба.	Затражите поправку од свог локалног овлашћеног сервисног центра.
Сечиво косилице се не окреће: ⇒ одмах зауставите косилицу!	Неки предмет као што је грана је заглављен код сечива.	Извадите све стране предмете.
	Погонски систем не ради како треба.	Затражите поправку од свог локалног овлашћеног сервисног центра.
Необичне вибрације: ⇒ одмах зауставите косилицу!	Сечиво је неуравнотежено, претерано или неуједначено похабано.	Замените сечиво.

ОПЦИОНИ ПРИБОР

⚠ ПАЖЊА: Ова опрема и прибор су предвиђени за употребу са алатом Makita описаним у овом упутству за употребу.

Употреба друге опреме и прибора може да доведе до повреда. Користите делове прибора или опрему искључиво за предвиђену намену.

Да бисте добили више детаља у вези са овим прибором, обратите се локалном сервисном центру компаније Makita.

- Сечиво косилице
- Додатак за малчовање
- Makita оригинална батерија и пуњач

НАПОМЕНА: Поједине ставке на листи могу бити укључене у садржај паковања алата као стандардна опрема. Оне се могу разликовати од земље до земље.

SPECIFICAȚII

Model:	DLM382	DLM432	
Lățime de tundere (diametrul pânzei)	380 mm	430 mm	
Turație în gol	3.700 min ⁻¹	3.600 min ⁻¹	
Numărul piesei de schimb pânză mașină de tuns iarba	191D41-2	191D43-8	
Dimensiuni (L x l x H)	în timpul funcționării	L: 1.380 mm - 1.410 mm l: 450 mm H: 985 mm - 1.005 mm	L: Între 1.435 mm și 1.490 mm l: 460 mm H: Între 1.005 mm și 1.045 mm
	în timpul depozitării (fără coș pentru iarbă)	860 mm x 450 mm x 475 mm	865 mm x 460 mm x 475 mm
Tensiune nominală	36 V cc.		
Greutate netă	16,2 - 16,9 kg	16,8 - 17,5 kg	

- Datorită programului nostru continuu de cercetare și dezvoltare, specificațiile pot fi modificate fără o notificare prealabilă.
- Specificațiile pot varia în funcție de țară.
- Greutatea poate diferi în funcție de accesoriu(ii), inclusiv cartușul acumulatorului. În tabel se prezintă combinația cea mai ușoară și cea mai grea, conform Procedurii EPTA 01/2014.

Cartușul acumulatorului aplicabil

BL1815N / BL1820 / BL1820B / BL1830 / BL1830B / BL1840 / BL1840B / BL1850 / BL1850B / BL1860B

- Este posibil ca unele cartușe ale acumulatorilor menționate mai sus să nu fie disponibile în funcție de regiunea dvs. de reședință.

⚠️ AVERTIZARE: Utilizați numai cartușele de acumulator enumerate mai sus. Utilizarea oricărui altor cartușe de acumulator poate duce la rănire și/sau incendiu.

Simboluri

Mai jos sunt prezentate simbolurile de pe echipament. Asigurați-vă că înțelegeți sensul acestora înainte de utilizare.



Acordați atenție și grijă deosebită.



Citiți manualul de utilizare.



Pericol; țineți cont de obiectele care pot fi aruncate.



Distanța dintre mașină și persoanele aflate în zonă trebuie să fie de cel puțin 15 m.



Nu apropiați niciodată mâinile sau picioarele de lamă sub mașina de tuns iarba. Lamele continuă să se rotească după oprirea motorului.



Scoateți cheia de blocare înainte de a inspecta, regla, curăța, efectua operațiuni de service, lăsa nesupravegheată și depozita mașina de tuns iarba.



Ni-MH
Li-ion

Doar pentru țările din cadrul UE
Nu aruncați aparatele electrice sau acumulatorii în gunoii menajeri!
În conformitate cu Directiva europeană privind deșeurile de echipamente electrice și electronice, bateriile și acumulatorii, precum și bateriile și acumulatorii reziduale și implementarea acestora conform legislației naționale, echipamentele electrice și bateriile și acumulatorii care au ajuns la sfârșitul duratei de viață trebuie colectate separat și reciclate corespunzător în vederea protejării mediului.

Destinația de utilizare

Mașina se folosește pentru tunderea ierbii.

Zgomot

Nivelul de zgomot normal ponderat A determinat în conformitate cu EN60335-2-77:

Model DLM382

Nivel de presiune acustică (L_{pA}): 81 dB(A)

Nivel de putere acustică (L_{WA}): 91 dB (A)

Marjă de eroare (K): 3 dB(A)

Model DLM432

Nivel de presiune acustică (L_{pA}): 81 dB(A)

Nivel de putere acustică (L_{WA}): 92 dB (A)

Marjă de eroare (K): 3 dB(A)

NOTĂ: Valoarea (valorile) totală(e) a (ale) emisiilor de zgomot declarate a(u) fost măsurată(e) în conformitate cu o metodă de test standard și poate (pot) fi utilizată(e) pentru compararea unei unelte cu alta.

NOTĂ: Valoarea (valorile) totală(e) a (ale) emisiilor de zgomot declarate poate (pot) fi, de asemenea, utilizată(e) într-o evaluare preliminară a expunerii.

⚠️ AVERTIZARE: Purtați echipament de protecție pentru urechi.

⚠️ AVERTIZARE: Emisiile de zgomot în timpul utilizării efective a unelei electrice poate diferi de valoarea (valorile) nivelului declarat, în funcție de modul în care unealta este utilizată, în special ce fel de piesă este prelucrată.

⚠️ AVERTIZARE: Asigurați-vă că identificați măsurile de siguranță pentru a proteja operatorul, acestea fiind bazate pe o estimare a expunerii în condiții reale de utilizare (luând în considerare toate părțile ciclului de operare, precum timpii în care unealta a fost oprită, sau a funcționat în gol, pe lângă timpul de declanșare).

Vibrații

Valoarea totală a vibrațiilor (suma vectorilor tri-axiali) determinată conform EN60335-2-77:

Model DLM382

Emisie de vibrații (a_n): 2,5 m/s² sau mai puțin
Marjă de eroare (K): 2,0 m/s²

Model DLM432

Emisie de vibrații (a_n): 2,5 m/s² sau mai puțin
Marjă de eroare (K): 1,5 m/s²

NOTĂ: Valoarea (valorile) totală(e) a (ale) nivelului de vibrații declarat a (au) fost măsurată(e) în conformitate cu o metodă de test standard și poate (pot) fi utilizată(e) pentru compararea unei unele cu alta.

NOTĂ: Valoarea (valorile) totală(e) a (ale) nivelului de vibrații declarat poate (pot) fi, de asemenea, utilizată(e) într-o evaluare preliminară a expunerii.

⚠️ AVERTIZARE: Nivelul de vibrații în timpul utilizării efective a unelei electrice poate diferi de valoarea (valorile) nivelului declarat, în funcție de modul în care unealta este utilizată, în special ce fel de piesă este prelucrată.

⚠️ AVERTIZARE: Asigurați-vă că identificați măsurile de siguranță pentru a proteja operatorul, acestea fiind bazate pe o estimare a expunerii în condiții reale de utilizare (luând în considerare toate părțile ciclului de operare, precum timpii în care unealta a fost oprită, sau a funcționat în gol, pe lângă timpul de declanșare).

Declarație de conformitate CE

Numai pentru țările europene

Declarația de conformitate CE este inclusă ca Anexa A în acest manual de instrucțiuni.

AVERTIZĂRI DE SIGURANȚĂ

INSTRUCȚIUNI IMPORTANTE PRIVIND SIGURANȚA

⚠️ AVERTIZARE: Citiți toate avertismentele de siguranță și toate instrucțiunile. Nerespectarea acestor avertismente și instrucțiuni poate avea ca rezultat electrocutarea, incendiul și/sau rănirea gravă.

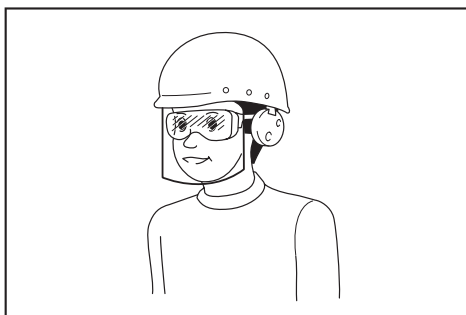
Păstrați toate avertismentele și instrucțiunile pentru consultări ulterioare.

Instruire

1. Citiți cu atenție instrucțiunile. Familiarizați-vă cu comenzile și cu utilizarea corectă a mașinii de tuns iarba.
2. Nu permiteți niciodată copiilor sau persoanelor care sunt nefamiliarizate cu aceste instrucțiuni să utilizeze mașina de tuns iarba. Reglementările locale pot restricționa vârsta operatorului.
3. Nu folosiți mașina de tuns iarba când în apropiere se află copii sau animale de companie.
4. Amintiți-vă că operatorul sau utilizatorul este responsabil de accidente sau situațiile periculoase antrenate de utilizarea mașinii, cauzate altor persoane sau bunurilor acestora.
5. Copiii trebuie supravegheați, pentru a vă asigura că aceștia nu au acces la mașina de tuns iarba.
6. Stare fizică – nu utilizați mașina de tuns iarba atunci când vă aflați sub influența drogurilor, alcoolului sau a oricărui medicament.

Pregătire

1. În timpul folosirii mașinii de tuns iarba, purtați întotdeauna încălțăminte solidă și pantaloni lungi. Nu utilizați mașina de tuns iarba cu picioarele goale sau cu sandale. Evitați să purtați bijuterii sau articole de îmbrăcăminte largi sau cu cordoane sau șnururi care atarnă. Acestea ar putea fi prinse în piesele mobile.
2. Înainte de utilizare, verificați întotdeauna vizual mașina de tuns iarba pentru a vedea dacă apărătorile sau protecțiile sunt deteriorate, lipsesc sau sunt fixate necorespunzător.
3. Asigurați-vă că în zonă nu se află alte persoane înainte de a tunde iarba. Opriti mașina de tuns iarba dacă într-o persoană în zonă.
4. Nu introduceți cheia de blocare în mașina de tuns iarba până când aceasta nu este gata de utilizare.
5. Purtați întotdeauna ochelari de protecție pentru a vă proteja ochii contra rănirii atunci când utilizați unele electrice. Ochelarii trebuie să fie în conformitate cu ANSI Z87.1 în S.U.A., EN 166 în Europa sau AS/NZS 1336 în Australia/ Noua Zeelandă. În Australia/Noua Zeelandă se solicită în mod legal și purtarea unei măști obligatorii pentru a vă proteja fața.



Întră în responsabilitatea angajatorului să impună utilizarea unor echipamente de protecție și siguranță adecvate de către utilizatorii mașinii și de către celelalte persoane din imediata apropiere a zonei de lucru.

6. Înainte de folosire, verificați atent dacă pânzele sau șuruburile pânzelor prezintă fisuri sau deteriorări. Înlocuiți imediat pânzele sau șuruburile pânzelor fisurate ori deteriorate.
7. Înlăturați corpurile străine, cum ar fi pietrele, sârmele, sticlele, oasele și bețele mari, din zona de lucru înainte de a tunde iarba pentru a preveni vătămările personale sau deteriorarea mașinii.
8. Obiectele lovite de pânza mașinii de tuns iarba pot cauza leziuni severe persoanelor. Gazonul trebuie întotdeauna examinat cu atenție și degajat de orice obiecte înainte de fiecare operațiune de tuns iarba.
9. Aveți grijă la gropi, șanțuri, denivelări, pietre sau alte obiecte ascunse. Terenul denivelat poate provoca alunecarea și accidente prin cădere. Iarba înaltă poate să ascundă obstacole.

Operarea

1. Nu vă întindeți excesiv. Mențineți-vă permanent echilibrul. Asigurați-vă întotdeauna echilibrul atunci când vă deplasați pe suprafețe înclinate. Nu alergați niciodată.
2. Oprii mașina de tuns iarba, scoateți cheia de blocare și asigurați-vă că toate piesele aflate în mișcare s-au oprit complet:
 - ori de câte ori lăsați mașina nesupravegheată,
 - înainte de a elimina blocajele sau de a desfundă jgheabul,
 - înainte de a controla, curăța sau lucra cu mașina,
 - după ce ați lovit un obiect străin. Verificați mașina pentru a detecta eventuale deteriorări și efectuați reparațiile necesare înainte de a repune în funcțiune și utiliza mașina:
 - de fiecare dată când mașina de tuns iarba începe să vibreze anormal.
3. Nu operați niciodată mașina cu apărătorile sau protecțiile defecte sau fără dispozitivele de siguranță, cum ar fi deflectoarele și/sau separatorul de iarba, montate.
4. Evitați utilizarea mașinii de tuns iarba în condiții de vreme nefavorabilă, în special când există riscul de descărcări electrice.
5. Purtați permanent ochelari de protecție și încălțăminte rezistentă atunci când utilizați mașina de tuns iarba.
6. Operați mașina de tuns iarba doar la lumina zilei sau la o lumină artificială puternică.
7. Porniți mașina de tuns iarba cu atenție conform instrucțiunilor, cu picioarele la distanță de lamă(e).
8. Aveți grijă să nu vă răniți picioarele și mâinile cu pânzele mașinii de tuns iarba.
9. Asigurați-vă întotdeauna că orificiile de ventilație nu conțin reziduuri.
10. Tundeți iarba de-a lungul pantei, niciodată în sus sau în jos. Acordați atenție maximă atunci când schimbați direcția pe suprafețele înclinate. Nu tundeți iarba pe o pantă excesiv de abruptă.
11. Procedați cu maximă atenție atunci când vă deplasați în marșier sau când trageți mașina spre dumneavoastră.
12. Fixați bine lama/lamele dacă mașina trebuie înclinată pentru transport atunci când traversați suprafețe fără iarba și când transportați mașina de tuns la sau de la locul în care va fi utilizată.
13. Nu înclinați mașina atunci când porniți motorul, decât dacă mașina trebuie înclinată pentru a porni. În acest caz, nu o înclinați mai mult decât este strict necesar și ridicați numai partea care se află la distanță de operator. Aveți grijă întotdeauna ca ambele mâini să fie în poziția de operare înainte de a pune din nou mașina de tuns iarba pe sol.
14. Nu apropiați mâinile sau picioarele și nu le țineți sub piesele rotative. Păstrați în permanență distanța față de orificiul de descărcare.
15. Nu transportați mașina în timp ce este în funcțiune.
16. Evitați operarea mașinii pe iarba udă.
17. Nu utilizați niciodată mașina de tuns iarba în ploaie.
18. Țineți întotdeauna strâns mânerul.
19. Nu apucați lamele de tăiere sau muchiile de tăiere expuse atunci când ridicați sau țineți mașina de tuns iarba.
20. Țineți mâinile și picioarele la distanță de lamele rotative. Atenție - Lamele se rotesc după ce oprii mașina.
21. Întrerupeți imediat activitatea dacă observați orice lucru neobișnuit. Oprii mașina de tuns iarba și scoateți cheia de blocare. Apoi inspectați mașina.
22. Nu încercați niciodată să reglați înălțimea de tăiere în timp ce mașina funcționează, în cazul în care aceasta dispune de o funcție de reglare a înălțimii.
23. Eliberați pârghia de comutare și așteptați să înceteze rotația pânzelor înainte de a traversa alei, cărări, drumuri și orice zone acoperite cu prundși. De asemenea, scoateți cheia de blocare dacă lăsați mașina nesupravegheată, dacă vă aplecați să ridicați sau să îndepărtați ceva din drum sau din orice alt motiv care v-ar putea distrage atenția de la ceea ce faceți.
24. În cazul în care mașina de tuns iarba lovește un obiect străin, urmați acești pași:
 - Oprii mașina, eliberați levierul schimbătorului de viteză și așteptați până când lama se oprește complet.
 - Scoateți cheia de blocare și cartușul acumulatorului.
 - Inspectați cu atenție mașina de tuns iarba pentru a detecta eventuale deteriorări.
 - Înlocuiți lama dacă s-a deteriorat în vreun fel.
 Reparați orice defecțiune înainte de a reporni și continuați operarea mașinii de tuns iarba.
25. Nu porniți mașina atunci când vă aflați în fața orificiului de descărcare.

26. **Dacă mașina începe să vibreze anormal (verificați imediat)**
 - inspectați pentru a detecta eventuale deteriorări,
 - înlocuiți sau reparați orice piese deteriorate,
 - verificați prezența și strângeți orice piese slăbite.
27. **Nu îndreptați niciodată materialul evacuat spre alte persoane. Evitați evacuarea materialului pe un perete sau un alt obstacol.** Materialul poate ricoșa înspre operator. Opriti pânza atunci când treceți peste suprafețe acoperite cu pietriș.
28. **Nu trageți mașina de tuns iarba în sens invers decât dacă este absolut necesar.** Dacă trebuie să trageți mașina de tuns iarba în sens invers pentru a reveni de lângă un gard sau alt obstacol similar, priviți în jos și în spate înaintea și în timpul deplasării cu spatele.
29. **Opriti motorul și așteptați până când pânza se oprește complet înainte de a scoate opritorul pentru iarbă.** Aveți grijă la pânze, care se roteesc liber după oprire.

Întreținere și depozitare

1. **Pentru siguranță, înlocuiți componentele uzate sau deteriorate. Utilizați doar piese de schimb și accesorii originale.**
2. **Verificați și întrețineți periodic mașina de tuns iarba.**
3. **Dacă nu o utilizați, depozitați mașina de tuns iarba departe de raza de acțiune a copiilor.**
4. **Mențineți piulițele, bolțurile și șuruburile strânse pentru a vă asigura că echipamentul este în bună stare de funcționare.**
5. **Verificați frecvent coșul pentru iarbă, pentru a detecta semne de uzură sau deteriorare. Pentru depozitare, asigurați-vă întotdeauna că ați golit coșul pentru iarbă. Înlocuiți un coș pentru iarbă uzat cu un nou coș de schimb din fabrică pentru siguranță.**
6. **Folosiți numai lamele originale ale producătorului specificate în acest manual.**
7. **Aveți grijă în timpul reglării mașinii pentru a preveni prinderea degetelor între lamele în mișcare și piesele fixe ale mașinii.**
8. **Nu spălați mașina cu furtunul; evitați pătrunderea apei în motor și la conexiunile electrice.**
9. **Verificați la intervale frecvente dacă bolțul de montare al lamei este strâns corespunzător.**
10. **Lăsați întotdeauna mașina să se răcească înainte de a o depozita.**
11. **Când efectuați operațiuni de service asupra lamelor, rețineți că, deși sursa de alimentare este oprită, lamele pot fi mișcate în continuare.**
12. **Nu scoateți sau modificați niciodată dispozitivele de siguranță. Verificați periodic funcționarea corespunzătoare a acestora. Nu efectuați niciodată activități care ar putea modifica funcționarea recomandată a unui dispozitiv de siguranță sau ar putea reduce protecția furnizată de un dispozitiv de siguranță.**

Utilizarea și îngrijirea acumulatorului mașinii

1. **Efectuați încărcarea numai cu încărcătorul specificat de producător.** Un încărcător adecvat pentru un anumit tip de acumulator poate prezenta risc de incendiu dacă este utilizat cu alt tip de acumulator.

2. **Folosiți mașinile electrice numai cu acumulatorii special destinați acestora.** Utilizarea altor acumulatori poate prezenta risc de rănire și de incendiu.
3. **Când nu folosiți cartușul de acumulatori, țineți-l la distanță de obiecte metalice precum agrafe de birou, monede, chei, cuie, șuruburi sau alte obiecte metalice mici, ce pot constitui o legătură între cele două borne.** Scurtcircuitarea bornelor acumulatorului poate provoca arsuri sau incendii.
4. **În condiții extreme, lichidul poate fi eliminat din acumulator; evitați contactul cu acesta. Dacă intrați în contact accidental, clătiți bine cu apă zona afectată. Dacă lichidul intră în contact cu ochii, consultați și un medic.** Lichidul eliminat din acumulator poate provoca iritații sau arsuri.
5. **Nu utilizați un acumulator sau o unealtă care este avariată sau modificată.** Bateriile avariate sau modificate pot prezenta comportament imprevizibil ce poate cauza incendii, explozii sau risc de rănire.
6. **Nu expuneți un acumulator sau o unealtă la foc sau la temperaturi excesive.** Expunerea la foc sau la temperaturi mai mari de 130 °C poate cauza explozii.
7. **Urmați toate instrucțiunile de încărcare și nu încărcați acumulatorul sau unealta la temperaturi din afara intervalului specificat în instrucțiuni.** Încărcarea incorectă sau la temperaturi din afara intervalului specificat poate cauza deteriorarea bateriei și creșterea riscului de incendiu.

Siguranța electrică și a acumulatorului

1. **Nu aruncați acumulator(ii) în foc.** Elementul poate exploda. Consultați codurile locale pentru posibile instrucțiuni speciale privind eliminarea.
2. **Nu deschideți și nu dezmembrați acumulator(ii).** Electrolitul eliberat este coroziv și poate cauza afecțiuni ale pielii și ochilor. Acesta poate fi toxic dacă este înghițit.
3. **Nu încărcați bateria în ploaie sau în zone cu umezeală.**
4. **Nu încărcați acumulatorul în exterior.**
5. **Nu manipulați încărcătorul, inclusiv fișa și bornele acestuia, cu mâinile ude.**

Service

1. **Mașina electrică trebuie să fie reparată de un expert, folosind piese identice de schimb.** Astfel se mențin siguranța și fiabilitatea mașinii electrice.
2. **Nu reparați niciodată acumulatorii avariate.** Repararea acumulatorilor trebuie efectuată numai de către producător sau de furnizorii de service autorizați.

PĂSTRAȚI ACESTE INSTRUCȚIUNI.

⚠️ AVERTIZARE: NU permiteți comodității și familiarizării cu produsul (obținute prin utilizare repetată) să înlocuiască respectarea strictă a normelor de securitate pentru acest produs.

FOLOSIREA INCORECTĂ sau nerespectarea normelor de securitate din acest manual de instrucțiuni poate provoca vătămări corporale grave.

Instrucțiuni importante privind siguranța pentru cartușul acumulatorului

1. Înainte de a folosi cartușul acumulatorului, citiți toate instrucțiunile și atenționările de pe (1) încărcătorul acumulatorului, (2) acumulator și (3) produsul care folosește acumulatorul.
2. Nu dezmembrați cartușul acumulatorului.
3. Dacă timpul de funcționare s-a redus excesiv, întrerupeți imediat funcționarea. Aceasta poate prezenta risc de supraîncălzire, posibile arsuri și chiar explozie.
4. Dacă electrolitul pătrunde în ochi, clătiți bine ochii cu apă curată și consultați imediat un medic. Există risc de orbire.
5. Nu scurtcircuitați cartușul acumulatorului:
 - (1) Nu atingeți bornele cu niciun material conductor.
 - (2) Evitați depozitarea cartușului acumulatorului la un loc cu alte obiecte metalice cum ar fi cuie, monede etc.
 - (3) Nu expuneți cartușul acumulatorului la apă sau ploaie.Un scurtcircuit al acumulatorului poate provoca un flux puternic de curent electric, supraîncălzire, posibile arsuri și chiar defectarea mașinii.
6. Nu depozitați mașina și cartușul acumulatorului în spații în care temperatura poate atinge sau depăși 50 °C (122 °F).
7. Nu incinerati cartușul acumulatorului chiar dacă acesta este grav deteriorat sau complet uzat. Cartușul acumulatorului poate exploda în foc.
8. Aveți grijă să nu scăpați sau să loviți acumulatorul.
9. Nu utilizați un acumulator deteriorat.
10. Acumulatorii Li-Ion încorporați se supun cerințelor Legislației privind substanțele periculoase. Pentru transporturi comerciale, efectuate de exemplu de către părți terțe, expeditori, trebuie respectate cerințele speciale de ambalare și etichetare. Pentru pregătirea articolului care urmează să fie expediat, este necesară consultarea unui expert în materiale periculoase. Vă rugăm să respectați, de asemenea, reglementările naționale, care pot fi mai detaliate. Izolați sau acoperiți contactele deschise și împachetați acumulatorul în așa fel încât să nu se poată mișca în ambalaj.
11. Atunci când eliminați la deșeurile cartușul acumulatorului, scoateți-l din mașină și eliminați-l într-un loc sigur. Respectați normele naționale privind eliminarea la deșeurile a acumulatorului.
12. Utilizați acumulatoroarele numai cu produsele specificate de Makita. Instalarea acumulatoroarelor în produse neconforme poate cauza incendii, căldură excesivă, explozii sau scurgeri de electrolit.
13. Dacă mașina nu este utilizată o perioadă lungă de timp, acumulatorul trebuie scos din acesta.

PĂSTRAȚI ACESTE INSTRUCȚIUNI.

⚠ATENȚIE: Folosiți numai acumulatori Makita originali. Acumulatorii Makita care nu sunt originali și acumulatorii care au suferit modificări se pot aprinde, provocând incendii, leziuni corporale și daune. De asemenea, anulează garanția oferită de Makita pentru unele și încărcătorul Makita.

Sfaturi pentru obținerea unei durate maxime de exploatare a acumulatorului

1. Încărcați cartușul acumulatorului înainte de a se descărca complet. Întrerupeți întotdeauna funcționarea mașinii și încărcați cartușul acumulatorului când observați o scădere a puterii mașinii.
2. Nu reîncărcați niciodată un acumulator complet încărcat. Supraîncărcarea va scurta durata de exploatare a acumulatorului.
3. Încărcați cartușul acumulatorului la temperatura camerei, între 10 °C - 40 °C (50 °F - 104 °F). Lăsați un acumulator fierbinte să se răcească înainte de a-l încărca.
4. Încărcați cartușul acumulatorului în cazul în care nu a fost utilizat pe o perioadă mai lungă (mai mult de șase luni).

ASAMBLARE

⚠AVERTIZARE: Aveți grijă întotdeauna să scoateți cheia de blocare și cartușul de acumulator înainte de a efectua orice activitate cu mașina de tuns iarba. Dacă nu scoateți cheia de blocare și cartușul de acumulator, puteți suferi leziuni corporale grave din cauza pornirii accidentale.

⚠AVERTIZARE: Nu porniți niciodată mașina dacă aceasta nu este complet asamblată. Utilizarea mașinii care este asamblată numai parțial poate provoca accidentări grave cauzate de pornirea accidentală.

Instalarea capacului acumulatorului

⚠AVERTIZARE: Nu introduceți cheia de blocare și cartușul acumulatorului înainte de instalarea capacului acumulatorului. În caz contrar, există pericol de rănire gravă.

Montați complet capacul acumulatorului înainte de a folosi mașina. Capacul acumulatorului protejează mașina de tuns iarba și cartușul acumulatorului împotriva noroiului, murdăriei și apei.

1. Așezați capacul acumulatorului cu protuberanțele mașinii de tuns iarba aliniate cu orificiile capacului acumulatorului.

► Fig.1: 1. Proeminență 2. Orificiu 3. Capacul acumulatorului

2. Așezați-vă mâinile pe mijlocul capacului acumulatorului și apăsați-l.

► Fig.2

3. Înainte de prima utilizare, verificați dacă punctul de pivotare al capacului acumulatorului este atașat corect. Dacă capacul acumulatorului este montat corect, acesta nu se deschide până când nu se trage de pârghia de blocare a capacului acumulatorului.

► **Fig.3:** 1. Punct de pivotare 2. Pârghie de blocare a capacului de acumulator

Montarea mânerului

NOTĂ: Atunci când montați mâner, poziționați cablurile astfel încât acestea să nu se agațe în niciun obiect între mâner. Este posibil ca mașina să nu pornească dacă este deteriorat cablul.

1. Glisați ambele capete ale mânerului inferior în canelurile mașinii de tuns iarba, apoi strângeți la maximum șuruburile de strângere.

► **Fig.4:** 1. Șurub de strângere 2. Mâner inferior

2. Aliniați orificiile pentru șuruburi de pe mânerul superior și cel inferior. Prindeți-le cu șuruburile de strângere și cu piulițele.

► **Fig.5:** 1. Piuliță de strângere 2. Șurub de strângere

NOTĂ: Țineți cu fermitate mânerul superior astfel încât să nu vă scape din mână.

3. Atașați suporturile de mâner. Așezați cablul de alimentare ca în figură.

► **Fig.6:** 1. Suport

Scoaterea accesoriului de mulcire

Accesoriu opțional

1. Deschideți capacul posterior.

► **Fig.7:** 1. Capac posterior

2. Țineți accesoriul de mulcire de mâner, apoi trageți-l din corpul mașinii de tuns iarba, astfel cum se arată în imagine.

► **Fig.8:** 1. Accesoriu de mulcire 2. Mâner

Montarea coșului pentru iarbă

1. Deschideți capacul posterior.

► **Fig.9:** 1. Capac posterior

2. Cuplați coșul pentru iarbă pe tija mașinii de tuns iarba ca în figură.

► **Fig.10:** 1. Cârlig 2. Tijă 3. Coș pentru iarbă

Montarea accesoriului de mulcire

Accesoriu opțional

1. Deschideți capacul posterior, iar apoi demontați coșul pentru iarbă.

► **Fig.11:** 1. Capac posterior 2. Coș pentru iarbă

2. Țineți accesoriul de mulcire de mâner, apoi montați-l pe corpul mașinii de tuns iarba, astfel cum se arată în imagine.

► **Fig.12:** 1. Accesoriu de mulcire 2. Mâner

DESCRIEREA FUNCȚIILOR

Instalarea sau scoaterea cartușului acumulatorului

ATENȚIE: Întotdeauna opriți mașina înainte de montarea sau demontarea cartușului acumulatorului.

ATENȚIE: Asigurați-vă că blocați capacul acumulatorului înainte de utilizare. În caz contrar, noroiul, murdăria sau apa pot cauza defectarea produsului sau a cartușului de acumulator.

ATENȚIE: Introduceți întotdeauna complet cartușul acumulatorului, până când indicatorul roșu nu mai este vizibil. În caz contrar, acesta poate cădea accidental din mașină, provocând rănirea dumneavoastră sau a persoanelor din jur.

ATENȚIE: Nu forțați cartușul acumulatorului la montare. Dacă acesta nu glisează ușor, înseamnă că a fost introdus incorect.

NOTĂ: Mașina nu funcționează doar cu un singur cartuș de acumulator.

Pentru montarea cartușului de acumulator:

1. Glisați pârghia de blocare a capacului de acumulator și deschideți capacul.

► **Fig.13:** 1. Capacul acumulatorului 2. Pârghie de blocare a capacului de acumulator

2. Aliniați limba de pe cartușul acumulatorului cu orificiul mașinii de tuns iarba, apoi glisați cartușul până când se fixează în poziție cu un clic.

► **Fig.14:** 1. Cartușul acumulatorului

3. Introduceți cheia de blocare în locul indicat în figură până la capăt.

► **Fig.15:** 1. Cheie de blocare

4. Închideți capacul de acumulator și apăsați pe el până când se cuplează cu pârghia de blocare.

Pentru demontarea cartușului de acumulator din mașina de tuns iarba:

1. Glisați pârghia de blocare a capacului de acumulator și deschideți capacul.

2. Trageți cartușul acumulatorului din mașină în timp ce glisați butonul de pe partea frontală a cartușului.

3. Scoateți cheia de blocare.

4. Închideți capacul de acumulator.

Sistem de protecție mașină/ acumulator

Mașina este prevăzută cu un sistem de protecție a mașinii/acumulatorului. Acest sistem întrerupe automat alimentarea motorului pentru a extinde durata de funcționare a mașinii și acumulatorului. Mașina se va opri automat în timpul funcționării dacă mașina sau acumulatorul se află într-una dintre situațiile de mai jos.

Protecție la suprasarcină

Când mașina este utilizată într-un mod care duce la un consum exagerat de curent, mașina se va opri automat fără nicio indicație. În această situație, opriți mașina și întrerupeți aplicația care a dus la suprasolicitarea mașinii. Apoi, reporniți mașina.

Protecție la supraîncălzire

Când mașina se supraîncălzeste, aceasta se oprește automat. Lăsați mașina să se răcească înainte de a o reporni.

Protecție la supradescărcare

Când capacitatea acumulatorului scade, mașina se oprește automat. Dacă produsul nu funcționează deși comutatoarele sunt acționate, scoateți acumulatorii din mașină și încărcați-i.

Indicarea capacității rămase a acumulatorului

► Fig.16: 1. Indicator acumulator















Când capacitatea rămasă a acumulatorului scade, indicatorul luminează intermitent pe partea corespunzătoare a acumulatorului. Dacă continuați să o utilizați, mașina se oprește și indicatorul acumulatorului luminează timp de aproximativ 10 de secunde. În această situație, încărcați cartușul acumulatorului.

Indicarea capacității rămase a acumulatorului

Numai pentru cartușe de acumulator cu indicator

► Fig.17: 1. Lămpi indicatoare 2. Buton de verificare

Apăsați butonul de verificare de pe cartușul acumulatorului, astfel încât să se indice capacitățile rămase ale acumulatorului. Lămpile indicatorului vor lumina timp de câteva secunde.

Lămpi indicatoare			Capacitate rămasă
 Iluminat	 Oprit	 Iluminare intermitentă	
			între 75% și 100%
			între 50% și 75%
			între 25% și 50%
			între 0% și 25%
			Încărcați acumulatorul.
 ↑ ↓ 			Este posibil ca acumulatorul să fie defect.

NOTĂ: În funcție de condițiile de utilizare și temperatura ambientală, indicația poate fi ușor diferită de capacitatea reală.

Acționarea întrerupătorului

⚠️ AVERTIZARE: Înainte de a instala cartușul acumulatorului, verificați întotdeauna dacă pârghia de comutare funcționează corect și revine în poziția inițială după ce este eliberată. Utilizarea mașinii cu un comutator care nu funcționează corect poate duce la pierderea controlului și la accidente grave.

NOTĂ: Mașina de tuns iarba nu pornește fără a apăsa pe butonul de comutare chiar dacă levierul schimbătorului de viteză este tras.

NOTĂ: Este posibil ca mașina de tuns iarba să nu pornească din cauza supraîncărcării atunci când încercați să tundeți iarbă înaltă sau deasă dintr-o dată. În acest caz, măriți înălțimea de tundere.

Această mașină de tuns iarba este prevăzută cu un comutator de interblocare și un comutator cu mâner. Dacă observați ceva neobișnuit la oricare dintre aceste comutatoare, opriți imediat funcționarea și solicitați verificarea acestora de către cel mai apropiat Centru de service autorizat Makita.

1. Montați cartușele de acumulator. Introduceți cheia de blocare în comutatorul de interblocare și apoi închideți capacul acumulatorului.

► Fig.18: 1. Cartușul acumulatorului 2. Cheie de blocare

2. Țineți apăsat butonul de comutare.

3. Prindeți mânerul superior și trageți de pârghia de comutare.

► Fig.19: 1. Buton comutator 2. Levier de comutare

4. Eliberați butonul de comutare de îndată ce motorul începe să funcționeze. Mașina va continua să funcționeze până când eliberați pârghia de comutare.

5. Eliberați pârghia de comutare pentru a opri motorul.

Reglarea înălțimii de tundere a ierbii

⚠️ AVERTIZARE: Nu țineți niciodată mâna sau piciorul sub mașină atunci când reglați înălțimea de tundere a ierbii.

⚠️ AVERTIZARE: Asigurați-vă întotdeauna că pârghia se potrivește corect în canelură înainte de funcționare.

Înălțimea de tundere a ierbii poate fi reglată în intervalul 20 mm și 75 mm.

1. Scoateți cheia de blocare.

2. Trageți spre dumneavoastră maneta de reglare a înălțimii de tundere a ierbii și deplasați-o până la înălțimea de tundere dorită.

► Fig.20: 1. Manetă de reglare a înălțimii de tundere a ierbii

NOTĂ: Figurile care ilustrează înălțimea de tundere a ierbii se folosesc doar ca indicație orientativă. În funcție de iarbă sau de sol, înălțimea efectivă a ierbii poate fi ușor diferită de înălțimea setată.

NOTĂ: Încercați ca test să tundeți iarbă într-un loc mai puțin vizibil pentru a obține înălțimea dorită.

Indicator nivel iarbă

► Fig.21: 1. Indicator nivel iarbă

Indicatorul nivelului ierbii indică volumul ierbii tunse.

- Când coșul pentru iarbă nu este plin, indicatorul se mișcă în timpul operației de tundere a ierbii.
- Când coșul pentru iarbă este plin, indicatorul nu se mișcă în timpul operației de tundere a ierbii. În acest caz, opriți imediat tunderea ierbii și goliiți coșul. După golirea coșului, curățați-l astfel încât aerul să circule prin ochiurile acestuia.

NOTĂ: Acest indicator este un ghidaj aproximativ. În funcție de condițiile din interiorul coșului, este posibil ca acest indicator să nu funcționeze corect.

Utilizarea accesoriului de mulcire

Accesoriu opțional

Accesoriu de mulcire vă permite să readuceți iarbă tăiată pe sol fără a strânge iarbă tăiată în coșul pentru iarbă. Atunci când utilizați mașina cu accesoriul de mulcire, aveți grijă să demontați coșul pentru iarbă.

NOTĂ: Atunci când utilizați mașina cu accesoriul de mulcire, aveți grijă ca lungimea totală a ierbii să fie de cel puțin 30 mm sau lungimea de tăiere să fie de cel mult 15 mm.

► Fig.22: (1) 30 mm (2) 15 mm

OPERAREA

Tunderea ierbii

⚠️ AVERTIZARE: Înainte de a tunde iarbă, degațați zona de utilizare de bețe și pietre. De asemenea, îndepărtați în prealabil eventualele buruieni din zona de utilizare.

⚠️ AVERTIZARE: Purtați întotdeauna ochelari de protecție speciali sau ochelari de protecție cu apărători laterale atunci când operați mașina.

⚠️ ATENȚIE: Dacă iarbă tăiată sau un obiect străin blochează mașina de tuns la interior, asigurați-vă că scoateți cheia de blocare și cartușul acumulatorului și că purtați mănuși înainte de a îndepărta iarbă sau obiectul străin.

NOTĂ: Folosiți această mașină numai pentru tunderea gazonului. Nu tundeți buruieni cu această mașină.

► Fig.23

Țineți ferm mânerul cu ambele mâini în timpul lucrului.

Viteza de lucru orientativă este de circa 1 metru la 4 secunde.

► Fig.24

Muchiile exterioare ale roților din față arată care este lățimea de tundere. Utilizând muchiile exterioare ale roților din față drept ghid, tundeți iarbă în benzi. Suprapuneți benzile cu o jumătate până la o treime din banda anterioară pentru a tunde uniform gazonul.

► Fig.25: 1. Lățime de tundere 2. Zonă de suprapunere 3. Muchie exterioară

Schimbați direcția de tundere de fiecare dată pentru ca modelul ierbii să nu se formeze într-o singură direcție.

► Fig.26

Verificați periodic cantitatea de iarbă din coș. Goliiți coșul înainte de a se umple. Înaintea fiecărei verificări periodice, aveți grijă să opriți mașina de tuns iarbă și să scoateți cheia de blocare și cartușul de acumulator.

NOTĂ: Folosirea mașinii de tuns iarbă cu un coș pentru iarbă plin nu permite rotirea lină a pânzei și plasează o sarcină suplimentară asupra motorului, ceea ce poate cauza avariarea acestuia.

Tunderea unui gazon cu iarbă înaltă

Nu încercați să tăiați iarbă înaltă dintr-o singură încercare. În schimb, tundeți-o în mai multe etape. Lăsați o zi sau două între tunderi ca firele de iarbă să ajungă la aceeași înălțime.

NOTĂ: Tunderea ierbii înalte la o înălțime mică dintr-o singură încercare poate cauza ofilirea ierbii. De asemenea, iarbă tăiată se poate bloca în mașină.

Golirea coșului pentru iarbă

⚠️ AVERTIZARE: Pentru a reduce riscul de accident, verificați regulat coșul pentru iarbă pentru a detecta eventuale defecțiuni sau rezistență slăbită. Înlocuiți coșul pentru iarbă dacă este necesar.

1. Eliberați pârghia de comutare.
2. Scoateți cheia de blocare.
3. Deschideți capacul posterior și scoateți coșul pentru iarbă ținându-l de mâner.
► Fig.27: 1. Capac posterior 2. Mâner
4. Goliiți coșul pentru iarbă.

ÎNȚREȚINERE

⚠️ AVERTIZARE: Aveți întotdeauna grijă să scoateți cheia de blocare și cartușul acumulatorului din mașină înainte de depozitarea ori transportarea acesteia, sau înainte de a încerca să efectuați o inspecție sau o activitate de întreținere.

⚠️ AVERTIZARE: Scoateți întotdeauna cheia de blocare atunci când nu folosiți mașina. Păstrați cheia de blocare într-un loc sigur și nu la îndemâna copiilor.

⚠️ AVERTIZARE: Purtați mănuși atunci când efectuați o inspecție sau activitate de întreținere.

⚠️ AVERTIZARE: Purtați întotdeauna ochelari de protecție speciali sau ochelari de protecție cu apărători laterale atunci când efectuați o inspecție sau o activitate de întreținere.

NOTĂ: Nu utilizați niciodată gazolină, benzină, diluant, alcool sau alte substanțe asemănătoare. În caz contrar, pot rezulta decolorări, deformări sau fisuri.

Pentru a menține SIGURANȚA și FIABILITATEA produsului, reparațiile și orice alte lucrări de întreținere sau reglare trebuie executate de centre de service Makita autorizate sau proprii, folosind întotdeauna piese de schimb Makita.

Întreținere

1. Scoateți cheia de blocare. Păstrați-o într-un loc sigur și nu la îndemâna copiilor.
2. Curățați mașina de tuns iarbă numai cu o lavetă umedă. Nu pulverizați și nu turnați apă pe mașina de tuns iarba în timpul curățării.
3. Întoarceți mașina pe o parte și curățați bucățile de iarbă tăiată care s-au acumulat pe partea de dedesubt a punții mașinii.
4. Verificați dacă toate piulițele, bolțurile, buloanele, șuruburile, dispozitivele de fixare etc. sunt bine strânse.
5. Inspectați piesele mobile pentru a detecta eventuale deteriorări, rupturi și semne de uzură. Piesele deteriorate sau lipsă trebuie să fie reparate sau înlocuite.

Depozitare

⚠️ AVERTIZARE: Atunci când transportați sau depozitați mașina, nu țineți de mânerele pliate, ci de mânerul frontal al mașinii. Dacă țineți de mânerul pliat, dvs. vă puteți răni grav sau mașina se poate defecta.

Înainte de depozitarea mașinii de tuns iarba, scoateți cartușul acumulatorului și cheia de blocare. Depozitați mașina în interior, într-un loc uscat, răcoros și încuiat. Nu depozitați mașina de tuns iarba și încărcătorul în locuri în care temperatura poate atinge sau depăși 40 °C.

► **Fig.28:** 1. Mâner frontal 2. Mâner posterior

1. Slăbiți șuruburile de strângere și extindeți mânerul inferior în ambele părți. Deplasați mânerul în față. În acest moment, țineți strâns mânerul inferior, astfel încât acesta să nu cadă în partea laterală a mașinii.
- **Fig.29:** 1. Șurub de strângere 2. Mâner inferior

2. Slăbiți piulițele de strângere și pivotați mânerul superior înapoi până când se extinde în ambele părți.
- **Fig.30:** 1. Piuliță de strângere 2. Mâner superior

3. Depozitați coșul pentru iarbă între mâner și corpul mașinii de tuns iarba.
- **Fig.31:** 1. Coș pentru iarbă

NOTĂ: Când așezați mașina în poziție verticală, nu țineți de mâner, ci folosiți mânerul frontal al mașinii.

Demontarea sau montarea pânzei

⚠️ AVERTIZARE: Scoateți întotdeauna cheia de blocare și cartușul de acumulator atunci când montați sau demontați lama. Dacă nu scoateți cheia de blocare și cartușul de acumulator, puteți suferi leziuni corporale grave.

⚠️ AVERTIZARE: Lama își continuă mișcarea inerțială timp de câteva secunde după eliberarea comutatorului. Nu efectuați nicio operațiune până când lama nu se oprește complet.

⚠️ AVERTIZARE: Purtați întotdeauna mănuși atunci când manipulați lama.

Scoaterea pânzei mașinii de tuns iarba

Pentru DLM382

1. Așezați mașina de tuns iarba pe o parte, astfel încât maneta de reglare a înălțimii de tundere a ierbii să fie plasată pe partea de sus.
2. Pentru a bloca rotirea pânzei, introduceți o șurubelniță sau o unealtă asemănătoare într-un orificiu de pe corpul mașinii de tuns iarba.
3. Slăbiți bolțul în sens anti-orar cu o cheie.
► **Fig.32:** 1. Pânza mașinii de tuns iarba 2. Șurubelniță 3. Cheie
4. Scoateți pe rând șurubul și pânza.
► **Fig.33:** 1. Suportul pânzei 2. Pânza mașinii de tuns iarba 3. Șurub

Pentru DLM432

1. Așezați mașina de tuns iarba pe o parte, astfel încât maneta de reglare a înălțimii de tundere a ierbii să fie plasată pe partea de sus.
2. Pentru a bloca rotirea pânzei, introduceți o șurubelniță sau o unealtă asemănătoare într-un orificiu de pe corpul mașinii de tuns iarba.
3. Slăbiți bolțul în sens anti-orar cu o cheie.
► **Fig.34:** 1. Pânza mașinii de tuns iarba 2. Șurubelniță 3. Cheie
4. Scoateți pe rând bolțul, flanșa exterioară, pânza mașinii și flanșa interioară.
► **Fig.35:** 1. Flanșă interioară 2. Pânza mașinii de tuns iarba 3. Flanșă exterioară 4. Șurub

Montarea pânzei mașinii de tuns iarba

Pentru a instala pânza, executați în ordine inversă operațiile de demontare.

⚠️ AVERTIZARE: Montați pânza mașinii de tuns iarba cu grijă. Are o față și un dos. Poziționați pânza astfel încât săgeata care indică direcția de rotație să fie orientată spre exterior.

⚠️ AVERTIZARE: Strângeți cu putere bolțul în sens orar pentru a fixa lama.

⚠️ AVERTIZARE: Verificați dacă pânza mașinii de tuns iarba și toate componentele de fixare sunt montate corect și strânse bine.

⚠️ AVERTIZARE: Atunci când înlocuiți lamele, respectați instrucțiunile din acest manual.

DEPANARE

Înainte de a solicita reparații, efectuați mai întâi propria inspecție. În cazul în care găsiți o problemă care nu este explicată în manual, nu încercați să demontați echipamentul. În schimb, adresați-vă Centrelor de service autorizate Makita, utilizând întotdeauna piese de schimb Makita pentru reparații.

Stare de anormalitate	Cauză probabilă (defecțiune)	Remediu
Mașina de tuns iarba nu pornește.	Două cartușe de acumulator nu sunt montate.	Montați cartușele de acumulator încărcate.
	Problema cu bateria (tensiune scăzută)	Reîncărcați cartușul acumulatorului. Dacă reîncărcarea nu este eficientă, înlocuiți cartușul acumulatorului.
	Cheia de blocare nu este introdusă.	Introduceți cheia de blocare.
Motorul se oprește din funcționare după puțin timp.	Nivelul de încărcare al acumulatorului este redus.	Reîncărcați cartușul acumulatorului. Dacă reîncărcarea nu este eficientă, înlocuiți cartușul acumulatorului.
	Înălțimea de tăiere setată este prea joasă.	Creșteți înălțimea de tăiere.
Motorul nu atinge turația maximă.	Cartușul acumulatorului este instalat necorespunzător.	Montați cartușul de acumulator în modul descris în acest manual.
	Puterea acumulatorului se reduce.	Reîncărcați cartușul acumulatorului. Dacă reîncărcarea nu este eficientă, înlocuiți cartușul acumulatorului.
	Sistemul de acționare nu funcționează corect.	Solicitați centrului de service autorizat local efectuarea reparațiilor.
Pânza mașinii de tuns iarba nu se rotește: ⇒ opriți imediat mașina de tuns iarba!	Un obiect străin, precum o creangă, s-a înțepenit în apropiere de lamă.	Îndepărtați obiectul străin.
	Sistemul de acționare nu funcționează corect.	Solicitați centrului de service autorizat local efectuarea reparațiilor.
Vibrații anormale: ⇒ opriți imediat mașina de tuns iarba!	Lama este dezechilibrată sau uzată excesiv sau neuniform.	Înlocuiți lama.

ACCESORII OPȚIONALE

ATENȚIE: Folosiți accesoriile sau piesele auxiliare recomandate pentru mașina dumneavoastră Makita în acest manual. Utilizarea oricăror alte accesorii sau piese auxiliare poate prezenta risc de vătămare corporală. Utilizați accesoriile și piesele auxiliare numai în scopul destinat.

Dacă aveți nevoie de asistență sau de mai multe detalii referitoare la aceste accesorii, adresați-vă centrului local de service Makita.

- Pânza mașinii de tuns iarba
- Accesoriu de mulcire
- Acumulator și încărcător original Makita

NOTĂ: Unele articole din listă pot fi incluse ca accesorii standard în ambalajul de scule. Acestea pot diferi în funcție de țară.

ТЕХНІЧНІ ХАРАКТЕРИСТИКИ

Модель:		DLM382	DLM432
Ширина косіння (діаметр ріжучого полотна)		380 мм	430 мм
Швидкість у режимі холостого ходу		3 700 хв ⁻¹	3 600 хв ⁻¹
Змінне ріжуче полотно газонокосарки, номер деталі		191D41-2	191D43-8
Розміри (Д × Ш × В)	під час роботи	Д: от 1 380 мм до 1 410 мм Ш: 450 мм В: от 985 мм до 1 005 мм	Д: від 1 435 мм до 1 490 мм Ш: 460 мм В: від 1 005 мм до 1 045 мм
	у положенні для зберігання (без корзини для трави)	860 мм × 450 мм × 475 мм	865 мм × 460 мм × 475 мм
Номінальна напруга		36 В пост. струму	
Маса нетто		16,2 – 16,9 кг	16,8 – 17,5 кг

- Оскільки наша програма наукових досліджень і розробок триває безперервно, наведені тут технічні характеристики можуть бути змінені без попередження.
- У різних країнах технічні характеристики можуть бути різними.
- Вага може відрізнятись залежно від допоміжного обладнання, наприклад касети з акумулятором. Найлегші та найважчі комплекти, відповідно до стандарту ЕРТА (Європейська асоціація виробників електроінструменту) від січня 01/2014 року, представлено в таблиці.

Застосовна касета з акумулятором







BL1815N / BL1820 / BL1820B / BL1830 / BL1830B / BL1840 / BL1840B / BL1850 / BL1850B / BL1860B

- Деякі касети з акумулятором, які вказано вище, можуть бути недоступними залежно від вашого регіону або місця перебування.

▲ ПОПЕРЕДЖЕННЯ: Використовуйте лише касети з акумулятором, перелічені вище. Використання будь-яких інших касет з акумулятором може призвести до травмування й/або пожежі.

СИМВОЛИ

Далі наведено символи, які застосовуються для позначення обладнання. Перед користуванням переконайтеся, що ви розумієте їхнє значення.

	Будьте особливо уважні та обережні!
	Читайте посібник з експлуатації.
	Небезпечно! Пам'ятайте, що предмети можуть відскочити.
	Відстань між інструментом і сторонніми особами повинна становити не менше 15 м.
	У жодному разі не наближайте руки та ноги до ріжучого полотна під газонокосаркою. Полотно продовжують обертатися після вимкнення двигуна.
	Вийміть блокувальний ключ, перш ніж оглядати, налаштовувати, чистити і проводити технічне обслуговування інструмента, а також у тому випадку, якщо потрібно залишити газонокосарку без нагляду на деякий час або поставити її на зберігання.



Тільки для країн ЄС
Не викидайте електроприлади або акумуляторні батареї разом із побутовим сміттям!
Згідно з Європейськими директивами про утилізацію електричного та електронного обладнання та про утилізацію батарей і акумуляторів, а також батарей та акумуляторів, термін служби яких закінчився, та їх використанням із дотриманням національних законів, електричне обладнання, батареї та акумулятори, термін служби яких закінчився, потрібно збирати окремо та відправляти на екологічно чисті підприємства з їхньої переробки.

Призначення

Машина призначена для косіння газонів.

Шум

Рівень шуму за шкалою А в типовому виконанні, визначений відповідно до стандарту EN60335-2-77:

Модель DLM382

Рівень звукового тиску (L_{рА}): 81 дБ (А)
Рівень звукової потужності (L_{wА}): 91 дБ (А)
Похибка (К): 3 дБ (А)

Модель DLM432

Рівень звукового тиску (L_{рА}): 81 дБ (А)
Рівень звукової потужності (L_{wА}): 92 дБ (А)
Похибка (К): 3 дБ (А)

ПРИМІТКА: Заявлене значення шуму було виміряно відповідно до стандартних методів тестування й може використовуватися для порівняння одного інструмента з іншим.

ПРИМІТКА: Заявлене значення шуму може також використовуватися для попереднього оцінювання впливу.

▲ПОПЕРЕДЖЕННЯ: Користуйтеся засобами захисту органів слуху.

▲ПОПЕРЕДЖЕННЯ: Залежно від умов використання рівень шуму під час фактичної роботи електроінструмента може відрізнятися від заявленого значення вібрації; особливо сильно на це впливає тип деталі, що оброблюється.

▲ПОПЕРЕДЖЕННЯ: Забезпечте належні запобіжні заходи для захисту оператора, що відповідатимуть умовам використання інструмента (слід брати до уваги всі складові робочого циклу, як-от час, коли інструмент вимкнено та коли він починає працювати на холостому ході під час запуску).

Вібрація

Загальна величина вібрації (векторна сума трьох напрямків) визначена згідно з EN60335-2-77:

Модель DLM382

Вібрація (a_n): 2,5 м/с² або менше

Похибка (K): 2,0 м/с²

Модель DLM432

Вібрація (a_n): 2,5 м/с² або менше

Похибка (K): 1,5 м/с²

ПРИМІТКА: Заявлене загальне значення вібрації було виміряно відповідно до стандартних методів тестування й може використовуватися для порівняння одного інструмента з іншим.

ПРИМІТКА: Заявлене загальне значення вібрації може також використовуватися для попереднього оцінювання впливу.

▲ПОПЕРЕДЖЕННЯ: Залежно від умов використання вібрація під час фактичної роботи електроінструмента може відрізнятися від заявленого значення вібрації; особливо сильно на це впливає тип деталі, що оброблюється.

▲ПОПЕРЕДЖЕННЯ: Забезпечте належні запобіжні заходи для захисту оператора, що відповідатимуть умовам використання інструмента (слід брати до уваги всі складові робочого циклу, як-от час, коли інструмент вимкнено та коли він починає працювати на холостому ході під час запуску).

Декларація про відповідність стандартам ЄС

Тільки для країн Європи

Декларацію про відповідність стандартам ЄС наведено в Додатку А до цієї інструкції з експлуатації.

ПОПЕРЕДЖЕННЯ ПРО ДОТРИМАННЯ ТЕХНІКИ БЕЗПЕКИ

ВАЖЛИВІ ІНСТРУКЦІЇ З ТЕХНІКИ БЕЗПЕКИ

▲ПОПЕРЕДЖЕННЯ: Прочитайте усі застереження стосовно техніки безпеки та всі інструкції. Недотримання попереджень та інструкцій може призвести до ураження електричним струмом, до виникнення пожежі та/або до отримання серйозних травм.

Збережіть усі інструкції з техніки безпеки та експлуатації на майбутнє.

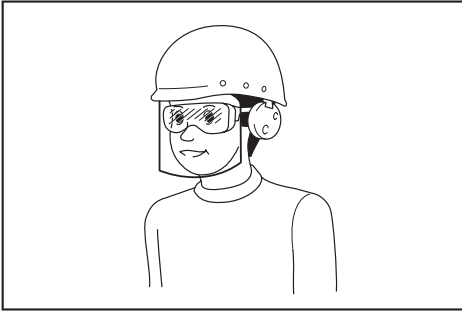
Інструктаж

1. Уважно прочитайте інструкції з експлуатації. Ознайомтеся з усіма засобами керування, а також із правилами належної експлуатації газонокосарки.
2. Не дозволяйте користуватися газонокосаркою особам, не ознайомленим із цими інструкціями, та дітям. Місцеві норми можуть накладати обмеження на вік оператора.
3. Заборонено працювати з газонокосаркою, коли інші люди, особливо діти, або домашні тварини знаходяться поблизу.
4. Пам'ятайте, що оператор або користувач несе відповідальність за нещасні випадки та створення ситуацій, небезпечних для людей та їхнього майна.
5. Не допускайте, щоб діти гралися з газонокосаркою.
6. Фізичний стан. У жодному разі не використовуйте газонокосарку, перебуваючи під впливом наркотичних речовин, алкоголю або будь-яких медичних препаратів.

Підготовка

1. Перед використанням газонокосарки обов'язково взувайте міцне взуття та вдягайте довгі штани. Заборонено працювати з газонокосаркою босоніж або у відкритих сандаліях. Не рекомендовано вдягати прикраси, занадто вільний одяг або одяг, який має звисаючі мотузки або шнурки. Вони можуть потрапити у частини інструмента, що рухаються.
2. Перед початком експлуатації візуально оглядайте газонокосарку на наявність пошкоджених, відсутніх або неправильно встановлених огорож або екранів.
3. Перед початком роботи переконайтеся у відсутності сторонніх осіб на робочій ділянці. Зупиніть газонокосарку, якщо хтось наблизиться до місця роботи.
4. Не вставляйте блокувальний ключ у газонокосарку, якщо вона не готова до використання.

5. Завжди користуйтеся захисними окулярами, щоб захистити очі від травмування під час роботи з електроінструментами. Захисні окуляри мають відповідати стандарту ANSI Z87.1 у США, EN 166 у Європі або AS/NZS 1336 в Австралії / Новій Зеландії. В Австралії / Новій Зеландії законодавство вимагає користуватися також щитком для захисту обличчя.



Роботодавець відповідає за те, щоб оператори інструментів та інші особи, які знаходяться безпосередньо в робочій зоні, примусово користувалися відповідним захисним устаткуванням.

6. Перед початком роботи ретельно перевірте ріжуче полотно або болти, що використовуються для його фіксації, на наявність тріщин або пошкоджень. У разі виявлення тріщин або пошкоджень негайно замініть ріжуче полотно або болти.
7. Щоб уникнути пошкодження газонокосарки або травмування, перед початком роботи приберіть із робочої зони сторонні предмети, як-от каміння, дроти, пляшки, кістки або великі гілки.
8. Якщо ріжуче полотно газонокосарки натрапить на будь-який сторонній предмет, це може призвести до травмування. Щоразу перед використанням газонокосарки уважно оглядайте газон та прибирайте з нього всі сторонні предмети.
9. Огляньте газон на наявність ям, колій, вибоїн, каменів або інших прихованих об'єктів. Через нерівності поверхні ви можете підсковзнутися й упасти. Висока трава може приховувати перешкоди.

Робота

1. Використовуючи виріб, не тягніться занадто далеко. Завжди зберігайте рівновагу. Працюючи на схилах, обов'язково займайте стійке положення. Пересувайтеся повільно, не переходьте на біг.
2. Зупиніть газонокосарку, витягніть блокувальний ключ і переконайтеся в тому, що всі рухомі частини повністю зупинилися:
- коли залишаєте газонокосарку без нагляду;
 - перед видаленням засмічення або прочищенням трубки;
 - перед перевіркою та очищенням інструмента або проведенням робіт на газонокосарці;
 - якщо інструмент натрапив на сторонній предмет. Огляньте газонокосарку на відсутність пошкоджень і виконайте необхідний ремонт:
 - у разі ненормальної вібрації в газонокосарці.

3. Заборонено використовувати газонокосарку із пошкодженими захисними кожухами чи щитками або без встановлених захисних пристроїв, як-от відбивачів та/або корзини для трави.
4. Не використовуйте газонокосарку за поганих погодних умов, особливо коли є ризик виникнення грозового розряду.
5. Перед використанням газонокосарки вдягайте засіб для захисту очей і міцні черевики.
6. Користуйтеся газонокосаркою тільки у світлий час доби або за достатнього штучного освітлення.
7. Обережно увімкніть газонокосарку згідно з наведеними інструкціями, тримаючи ноги подалі від ріжучих полотен.
8. Будьте обережні, щоб не травмувати ноги або руки ріжучим полотном газонокосарки.
9. Завжди стежте за тим, щоб вентиляційні отвори не забивалися сміттям.
10. На схилах пересувайте газонокосарку попереку них, а не вгору та вниз. Будьте надзвичайно уважні, коли змінюєте напрямок руху газонокосарки на схилах. Не використовуйте газонокосарку на дуже крутих схилах.
11. Будьте надзвичайно уважні, повертаючи або пересуваючи газонокосарку до себе.
12. Зупиніть ріжучі полотна, якщо потрібно нахилити газонокосарку та перенести через ділянку, де не росте трава, або з однієї робочої ділянки на іншу.
13. Під час запуску двигуна не нахиляйте газонокосарку; виняток становлять ті випадки, коли для запуску двигуна газонокосарку необхідно нахилити. Проте навіть у цьому разі не нахиляйте її більше, ніж це необхідно, і підіймайте її частину, розташовану з протилежного від вас боку. Обидві руки мають перебувати в робочому положенні, коли ви опускаєте газонокосарку на землю.
14. Не наближайте руки та ноги до частин, що обертаються. Тримайтеся на відстані від випускного отвору.
15. Заборонено транспортувати газонокосарку в увімкненому стані.
16. Не використовуйте газонокосарку на вологій траві.
17. Заборонено працювати з газонокосаркою під дощем.
18. Обов'язково міцно тримайте ручку.
19. Піднімаючи газонокосарку або тримаючи її, не торкайтеся відкритого ріжучого полотна або ріжучої кромки.
20. Тримайте ноги та руки подалі від ріжучого полотна, що обертається. Обережно! Полотно продовжує рух за інерцією після вимкнення газонокосарки.
21. Негайно припиніть роботу, якщо помітите будь-які відхилення. Вимкніть газонокосарку й вийміть блокувальний ключ. Після цього огляньте газонокосарку.
22. Заборонено регулювати висоту косіння під час роботи двигуна, якщо газонокосарка підтримує таку функцію.

23. Відпустіть пусковий важіль і дочекайтеся зупинки ріжучого полотна, перш ніж перетинати дорогу, тротуар, проїзну частину або ділянку, укриту гравієм. Крім того, обов'язково вийміть блокувальний ключ, якщо потрібно залишити газонокосарку без нагляду, нахилитися, щоб підняти або прибрати сторонні предмети з дороги, а також за будь-яких інших обставин, що можуть відволікти вас від роботи.
24. Якщо газонокосарка натрапить на сторонній предмет, виконайте такі дії:
 - зупиніть газонокосарку, відпустіть пусковий важіль та дочекайтеся повної зупинки ріжучого полотна;
 - Вийміть блокувальний ключ і касету з акумулятором.
 - ретельно огляньте газонокосарку на наявність пошкоджень;
 - у разі виявлення будь-яких пошкоджень ріжучого полотна замініть його. Усуньте всі пошкодження, перш ніж продовжувати використання газонокосарки.
25. Не запускайте газонокосарку, стоячи перед випускним отвором.
26. Якщо спостерігається аномальна вібрація газонокосарки (потрібна негайна перевірка):
 - огляньте інструмент на наявність пошкоджень;
 - замініть або відремонтуйте пошкоджені частини;
 - перевірте на наявність незакріплених деталей та затягніть їх.
27. Не спрямовуйте потік зрізаного матеріалу на людей. Не спрямовуйте потік зрізаного матеріалу на стіну або будь-який предмет. Зрізаний матеріал може відскочити в бік оператора. Зупиніть лезо перед транспортуванням по поверхні з гравію.
28. Не тягніть газонокосарку назад без необхідності. За необхідності відвести косарку від забору або іншої аналогічної перешкоди дивіться вниз і назад до початку руху, а також під час руху назад.
29. Вимкніть двигун і зачекайте, поки лезо повністю не зупиниться, перш ніж зняти травозбірник. Пам'ятайте, що леза продовжують обертатися після вимкнення.

Технічне обслуговування й зберігання

1. Щоб гарантувати безпечну роботу, замінійте зношені або пошкоджені деталі. Використовуйте тільки оригінальні запасні частини та приладдя.
2. Оглядайте газонокосарку й виконуйте її технічне обслуговування регулярно.
3. Якщо газонокосарка не використовується, зберігайте її в недоступному для дітей місці.
4. Щоб гарантувати безпечну роботу інструмента, перевіряйте надійність затягування всіх гайок, болтів та гвинтів.
5. Регулярно через невеликі проміжки часу перевіряйте корзину для трави на наявність ознак зношення або пошкодження. Зберігати інструмент необхідно з порожньою корзиною для трави. Щоб гарантувати безпечне використання інструмента, замініть зношену корзину для трави новою оригінальною запасною корзиною.
6. Використовуйте тільки оригінальне ріжуче полотно, зазначене в цьому посібнику.
7. Під час налаштування газонокосарки слідкуйте за тим, щоб палець не потрапив між ріжучими полотнами, що обертаються, та нерухомими частинами газонокосарки.
8. Не мийте інструмент за допомогою шланга; не допускайте потрапляння води у двигун та на електричні з'єднання.
9. Регулярно через невеликі проміжки часу перевіряйте, чи надійно затягнуто болт кріплення ріжучого полотна.
10. Перед тим як ставити газонокосарку на зберігання, зачекайте, поки вона охолоне.
11. Під час обслуговування ріжучих полотен пам'ятайте про те, що вони все ще можуть рухатися, навіть якщо джерело живлення відключено.
12. Не знімайте запобіжні механізми й не вносьте в них зміни. Регулярно перевіряйте правильність їх роботи. Не робіть ніяких дій, які можуть вплинути на функціонування запобіжного механізму або можуть знизити ступінь захисту, який забезпечується запобіжним механізмом.

Використання та обслуговування акумуляторних інструментів

1. Перезаряджайте акумулятор лише за допомогою зарядного пристрою, вказаного виробником. Зарядний пристрій, який підходить для одного типу акумуляторів, може призвести до пожежі при використанні з акумулятором іншого типу.
2. Використовуйте електроінструменти лише з акумуляторами того типу, який призначений саме для цих електроінструментів. Використання акумуляторів інших типів може призвести до отримання травм і виникнення пожежі.
3. Коли акумулятор не використовується, тримайте його подалі від таких металевих предметів, як скріпки, монети, ключі, цвяхи, шурупи тощо, які можуть зарозити клемми акумулятора. Замикання клем акумулятора може призвести до отримання опіків або до пожежі.
4. За неналежних умов зберігання з акумулятора може витікати рідина, контакту з якою слід уникати. У разі випадкового потрапляння рідини на тіло відповідну частину тіла слід промити водою. Якщо рідина потрапила в очі, їх слід промити водою, після чого необхідно звернутися до лікаря. Рідина, що витікає з акумулятора, може спричинити подразнення або опіки.
5. Не користуйтеся акумулятором або інструментом, які було змінено чи пошкоджено. Експлуатація акумуляторів, що їх було пошкоджено або до конструкції яких було внесено зміни, може бути небезпечною і може спричинити пожежу, вибух або травму.
6. Не піддавайте акумулятор або інструмент впливу вогню чи надмірної температури. Вплив вогню або температури вище 130° C може спричинити вибух.

7. Дотримуйтеся усіх вказівок із заряджання й не заряджайте акумулятор або інструмент за температури за межами зазначеного в інструкції діапазону. Неправильне заряджання або заряджання за межами вказаного температурного діапазону може призвести до пошкодження акумулятора й підвищити небезпеку займання.

Електробезпека й техніка безпеки під час роботи з акумулятором

1. **Не спалюйте акумулятори.** Акумулятор може вибухнути. Ознайомтеся з місцевими законами, які можуть містити спеціальні інструкції щодо утилізації відходів.
2. **Не відкривайте й не деформуйте акумулятори.** Електроліт є їдкою речовиною, тому в разі контакту зі шкірою або очима може завдати травму. У разі проковтування він може бути токсичним.
3. **Не заряджайте акумулятор під дощем або в місцях із підвищеною вологістю.**
4. **Перезаряджайте акумулятор тільки в приміщенні.**
5. **Не торкайтеся зарядного пристрою, а також штекера й контактів зарядного пристрою вологими руками.**

Обслуговування

1. **Ремонт електроінструмента повинен здійснювати лише кваліфікований майстер з використанням лише стандартних деталей.** Це забезпечить підтримання електроінструмента в належному стані.
2. **Забороняється ремонтувати пошкоджені акумулятори.** Ремонт акумуляторів має виконувати тільки виробник або вповноважений постачальник послуг.

ЗБЕРІГАЙТЕ ЦІ ВКАЗІВКИ.

▲ ПОПЕРЕДЖЕННЯ: НІКОЛИ НЕ втрачайте пильності та не розслабляйтеся під час користування виробом (що можливо при частому використанні); обов'язково строго дотримуйтеся відповідних правил безпеки.

НЕНАЛЕЖНЕ ВИКОРИСТАННЯ або недотримання правил техніки безпеки, викладених у цій інструкції з експлуатації, може призвести до серйозних травм.

Важливі інструкції з безпеки для касети з акумулятором

1. **Перед тим як користуватися касетою з акумулятором, слід прочитати всі інструкції та застережні знаки щодо (1) зарядного пристрою акумулятора, (2) акумулятора та (3) виробів, що працюють від акумулятора.**
2. **Не слід розбирати касету з акумулятором.**
3. **Якщо період роботи дуже покоротшав, слід негайно припинити користування. Це може призвести до виникнення ризику перегріву, опіку та навіть вибуху.**
4. **У разі потраплення електроліту в очі слід промити їх чистою водою та негайно звернутися до лікаря. Це може призвести до втрати зору.**

5. **Не закоротіть касету з акумулятором.**

- (1) **Не слід торкатися клем будь-яким струмопровідним матеріалом.**
- (2) **Не слід зберігати касету з акумулятором у ємності з іншими металевими предметами, такими як цвяхи, монети тощо.**
- (3) **Не залишайте касету з акумулятором під дощем, запобігайте контакту з водою.**

Коротке замикання може призвести до появи значного струму, перегріву, можливих опіків та навіть виходу з ладу.

6. **Не слід зберігати інструмент та касету з акумулятором в місцях, де температура може сягнути чи перевищити 50°C (122°F).**
7. **Не слід спалювати касету з акумулятором, навіть якщо вона була неодноразово пошкоджена або повністю спрацьована. Касета з акумулятором може вибухнути у вогні.**
8. **Не слід кидати або ударяти акумулятор.**
9. **Не слід використовувати пошкоджений акумулятор.**

10. **Літій-іонні акумулятори, що містяться в інструменті, мають відповідати вимогам законів про небезпечні товари.**

Під час транспортування за допомогою комерційних перевезень, наприклад із залученням третьої сторони та експедиторів, необхідно дотримуватись особливих вимог, вказаних на пакуванні й у маркуванні.

Під час підготовки позиції до відправлення необхідно проконсультуватись зі спеціалістом з небезпечних матеріалів. Крім того, слід виконувати більш докладні національні настанови, якщо такі є.

Заклейте відкриті контакти стрічкою або заховайте їх і запакуйте акумулятор таким чином, щоб він не міг рухатися в пакуванні.

11. **Для утилізації касети з акумулятором витягніть її з інструмента та утилізуйте безпечним способом. Дотримуйтеся норм місцевого законодавства щодо утилізації акумуляторів.**
12. **Використовуйте акумулятори лише з виробами, указаними компанією Makita.** Установлення акумуляторів у невідповідні вироби може призвести до пожежі, надмірного нагрівання, вибуху чи витoku електроліту.
13. **Якщо інструментом не користуватимуться протягом тривалого періоду часу, вийміть акумулятор з інструмента.**

ЗБЕРІГАЙТЕ ЦІ ВКАЗІВКИ.

▲ ОБЕРЕЖНО: Використовуйте тільки акумулятори Makita. Використання акумуляторів, інших ніж оригінальні акумулятори Makita, або акумуляторів, конструкцію яких було змінено, може призвести до вибуху акумулятора і спричинити пожежу, травму або пошкодження. У зв'язку з цим також буде анульовано гарантію Makita на інструмент Makita і на зарядний пристрій.

Поради з забезпечення максимального строку експлуатації акумулятора

1. Касету з акумулятором слід заряджати до того, як він розрядиться повністю. Завжди слід зупиняти роботу інструмента та зарядити акумулятор, якщо ви помітили зменшення потужності інструмента.
2. Ніколи не слід заряджати повторно повністю заряджену касету з акумулятором. Перезарядження скорочує строк експлуатації акумулятора.
3. Заряджайте касету з акумулятором при кімнатній температурі 10°C—40°C (50°F—104°F). Перед тим як заряджати касету з акумулятором, слід зачекати, доки вона охолоне.
4. Якщо касета з акумулятором не використовувалася тривалий час (понад шість місяців), її слід зарядити.

ЗБОРКА

▲ ПОПЕРЕДЖЕННЯ: Обов'язково виймайте блокувальний ключ та касету з акумулятором, перш ніж починати будь-які роботи з газонокосаркою. Якщо не вийняти блокувальний ключ та касету з акумулятором, випадкове увімкнення інструмента може призвести до важких травм.

▲ ПОПЕРЕДЖЕННЯ: Запускайте газонокосарку тільки в повністю зібраному стані. Використання машини в частково зібраному стані може спричинити тяжкі травми через випадковий пуск.

Встановлення кришки відсіку для акумулятора

▲ ПОПЕРЕДЖЕННЯ: Не вставляйте блокувальний ключ та касету з акумулятором до встановлення кришки відсіку для акумулятора. Недотримання цієї вимоги може призвести до важких травм.

Перед початком роботи повністю встановіть кришку відсіку для акумулятора. Кришка відсіку для акумулятора слугує для захисту газонокосарки й касети з акумулятором від бруду та води.

1. Розташуйте кришку відсіку для акумулятора, сумістивши виступи на газонокосарці з отворами на кришці.
► **Рис.1:** 1. Виступ 2. Отвір 3. Кришка відсіку для акумулятора
2. Розташуйте руки посередині кришки відсіку для акумулятора та натисніть на неї.
► **Рис.2**
3. Перед першим використанням переконайтеся в належному прикріпленні шарнірного з'єднання кришки відсіку для акумулятора. Якщо кришку відсіку для акумулятора встановлено правильно, вона відкриється тільки після натискання на фіксуючий важіль кришки відсіку для акумулятора.
► **Рис.3:** 1. Шарнірне з'єднання 2. Фіксуючий важіль кришки відсіку для акумулятора

Встановлення ручок

УВАГА: Встановлюючи ручки, розташуйте шнури таким чином, щоб вони не могли зачепитися за будь-які предмети, які знаходяться між ручками. Якщо шнур пошкоджено, пусковий важіль газонокосарки може не працювати.

1. Вставте обидва кінці нижньої ручки в пази газонокосарки, а потім повністю затягніть затискні гвинти.
► **Рис.4:** 1. Затискний гвинт 2. Нижня ручка
2. Вирівняйте отвори для гвинтів верхньої та нижньої ручок. Закріпіть їх за допомогою затискних гвинтів і гайок.
► **Рис.5:** 1. Затискна гайка 2. Затискний гвинт

ПРИМІТКА: Міцно тримайте верхню ручку, щоб вона не випала з руки.

3. Прикріпіть тримачі до ручок. Розташуйте шнур живлення, як показано на малюнку.
► **Рис.6:** 1. Тримач

Демонтаж вставки для мульчування

Додаткове обладнання

1. Відчиніть задню кришку.
► **Рис.7:** 1. Задня кришка
2. Утримуйте вставку для мульчування за ручку й витягніть її з корпусу газонокосарки, як показано на рисунку.
► **Рис.8:** 1. Вставка для мульчування 2. Ручка

Встановлення корзини для трави

1. Відчиніть задню кришку.
► **Рис.9:** 1. Задня кришка
2. Зачепіть гачок на кошику для трави за стрижень на корпусі газонокосарки, як показано на рисунку.
► **Рис.10:** 1. Гак 2. Шток 3. Корзина для трави

Установлення вставки для мульчування

Додаткове обладнання

1. Відчиніть задню кришку і зніміть корзину для трави.
► **Рис.11:** 1. Задня кришка 2. Корзина для трави
2. Утримуйте вставку для мульчування за ручку й вставте її в корпус газонокосарки, як показано на рисунку.
► **Рис.12:** 1. Вставка для мульчування 2. Ручка

ОПИС РОБОТИ

Встановлення та зняття касети з акумулятором

▲ ОБЕРЕЖНО: Обов'язково вимикайте машину перед встановленням або зняттям касети з акумулятором.

▲ ОБЕРЕЖНО: Перед використанням обов'язково заблокуйте кришку відсіку для акумулятора. Інакше бруд чи вода може спричинити пошкодження виробу або касети з акумулятором.

▲ ОБЕРЕЖНО: Завжди вставляйте касету з акумулятором повністю, доки не зникне червоний індикатор. Якщо цього не зробити, касета може випадково випасти з обладнання й завдати травми вам або людям, що перебувають поруч.

▲ ОБЕРЕЖНО: Не встановлюйте касету з акумулятором із зусиллям. Якщо касета не вставляється легко, це означає, що її вставляють неправильно.

ПРИМІТКА: Машина не працює, якщо вставлено тільки одну касету з акумулятором.

Встановлення касети з акумулятором

1. Пересуньте фіксуєчий важіль кришки відсіку для акумулятора та відкрийте кришку відсіку для акумулятора.

► **Рис.13:** 1. Кришка відсіку для акумулятора
2. Фіксуєчий важіль кришки відсіку для акумулятора

2. Сумістіть язичок на касеті з акумулятором із пазом на газонокосарці, а тоді вставте касету до фіксації з клацанням.

► **Рис.14:** 1. Касета з акумулятором

3. Вставте блокувальний ключ до упору, як показано на малюнку.

► **Рис.15:** 1. Блокувальний ключ

4. Закрийте кришку відсіку для акумулятора та притисніть її до зачеплення з фіксуєчим важелем.

Виймання касети з акумулятором з газонокосарки

1. Пересуньте фіксуєчий важіль кришки відсіку для акумулятора та відкрийте кришку відсіку для акумулятора.

2. Витягніть касету з акумулятором з газонокосарки, водночас натискаючи кнопку на передній частині касети.

3. Витягніть блокувальний ключ.

4. Закрийте кришку відсіку для акумулятора.

Система захисту обладнання й акумулятора

Машину оснащено системою захисту акумулятора. Ця система автоматично вимикає живлення двигуна з метою збільшення терміну служби машини й акумулятора. Машина автоматично зупиняється під час роботи, якщо обладнання або акумулятор перебувають у зазначених далі умовах.

Захист від перевантаження

Якщо обладнання використовується в умовах надмірного споживання струму, воно автоматично вимикається без будь-якого попередження. У такому випадку вимкніть машину й припиніть роботу, під час виконання якої сталося перевантаження машини. Щоб перезапустити машину, увімкніть її знову.

Захист від перегрівання

Якщо машина перегрівається, вона зупиняється автоматично. Дайте машині охолонути перед її повторним вмиканням.

Захист від надмірного розрядження

Коли заряд акумулятора стає недостатнім для подальшої роботи, машина автоматично припиняє роботу. Якщо виріб не працює, навіть коли задіяно вмикачі, необхідно вийняти з машини акумулятори й зарядити їх.

Відображення залишкового заряду акумулятора

► **Рис.16:** 1. Індикатор акумулятора

За низького заряду акумулятора індикатор акумулятора починає блимати на відповідному боці акумулятора. У разі подальшого використання машина припиняє роботу, а індикатор акумулятора вмикається приблизно на 10 секунд. У такому разі необхідно зарядити касету з акумулятором.

Відображення залишкового заряду акумулятора

Тільки для касет з акумулятором, які мають індикатори

► **Рис.17:** 1. Індикаторні лампи 2. Кнопка перевірки

Натисніть кнопку перевірки на касеті з акумулятором для відображення залишкового ресурсу акумулятора. Індикаторні лампи загоряться на кілька секунд.

Індикаторні лампи			Залишковий ресурс
Горить	Вимк.	Блимає	
■	□	▧	від 75 до 100%
■	■	□	від 50 до 75%
■	□	□	від 25 до 50%
■	□	□	від 0 до 25%
▧	□	□	Зарядіть акумулятор.
■	■	□	Можливо, акумулятор вийшов з ладу.
□	□	■	

ПРИМІТКА: Залежно від умов використання та температури оточуючого середовища показання можуть незначним чином відрізнятися від дійсного ресурсу.

Дія вимикача

⚠ ПОПЕРЕДЖЕННЯ: Перш ніж вставляти в інструмент касету з акумулятором, слід обов'язково переконатися в тому, що пусковий важіль спрацьовує належним чином і повертається у вихідне положення після відпускання. Робота з машиною, вимикач якої не спрацьовує належним чином, може призвести до втрати контролю над машиною й отримання тяжких травм.

ПРИМІТКА: Навіть за натискання на пусковий важіль газонокосарка не запуститься, якщо не натиснуто пускову кнопку.

ПРИМІТКА: Газонокосарка може не запуститися через перевантаження, якщо спробувати скосити високу або густу траву за один прохід. У такому разі потрібно збільшити висоту скошування.

Газонокосарку оснащено блокувальним вимикачем та вимикачем на ручці. Якщо помітите щось незвичне у роботі якогось із цих вимикачів, негайно припиніть роботу та перевірте їх у найближчому авторизованому сервісному центрі Makita.

1. Установіть касети з акумулятором. Вставте блокувальний ключ у блокувальний вимикач та закрийте кришку відсіку для акумулятора.

► **Рис.18:** 1. Касета з акумулятором
2. Блокувальний ключ

2. Натисніть та утримуйте пускову кнопку.

3. Тримачи верхню ручку, натисніть пусковий важіль.

► **Рис.19:** 1. Пускова кнопка 2. Пусковий важіль

4. Щойно двигун запуститься, відпустіть пускову кнопку. Газонокосарка продовжуватиме працювати, поки ви не відпустите пусковий важіль.

5. Щоб зупинити двигун, відпустіть пусковий важіль.

Регулювання висоти скошування

⚠ ПОПЕРЕДЖЕННЯ: Регулюючи висоту скошування, у жодному разі не розташовуйте руку чи ногу під корпусом газонокосарки.

⚠ ПОПЕРЕДЖЕННЯ: Перед початком роботи переконайтеся, що важіль належним чином увійшов у паз.

Висоту скошування можна відрегулювати в діапазоні від 20 мм до 75 мм.

1. Вийміть блокувальний ключ.

2. Потягніть важіль регулювання висоти скошування у напрямку від корпусу газонокосарки та пересуньте його на потрібну висоту скошування.

► **Рис.20:** 1. Важіль регулювання висоти скошування

ПРИМІТКА: Позначки висоти скошування слід використовувати лише для довідки. Залежно від стану газону або ґрунту фактична висота скошування може дещо відрізнятись від заданого значення.

ПРИМІТКА: Зробіть пробне скошування трави у менш помітному місці, щоб налаштувати потрібну висоту.

Індикатор рівня трави

► **Рис.21:** 1. Індикатор рівня трави

Індикатор рівня трави показує обсяг скошеної трави.

- Коли корзина для трави неповна, індикатор коливається під час косіння.
- Коли корзина для трави повна, індикатор не коливається під час косіння. У такому разі негайно припиніть косіння і спорожніть корзину. Після цього почистіть порожню корзину, так щоб її сітка пропускала повітря.

ПРИМІТКА: Цей індикатор є лише приблизним. Залежно від умов усередині корзини цей індикатор може працювати неналежним чином.

Використання вставки для мульчування

Додаткове обладнання

Вставка для мульчування дає змогу скидати подрібнену траву назад на газон, не збираючи її в кошик для трави. У разі роботи з вставкою для мульчування впевніться, що кошик для трави знято з машини.

УВАГА: У разі використання машини з вставкою для мульчування переконайтеся в тому, що загальна довжина трави становить щонайменше 30 мм, або довжина різку не перевищує 15 мм.

► **Рис.22:** (1) 30 мм або більше (2) 15 мм або менше

РОБОТА

Косіння

⚠ ПОПЕРЕДЖЕННЯ: Перш ніж починати косити газон, приберіть з робочої ділянки гілки та каміння. Крім того, видаліть заздалегідь бур'ян із робочої ділянки.

⚠ ПОПЕРЕДЖЕННЯ: Під час використання газонокосарки обов'язково користуйтеся захисними окулярами з боковими щитками.

⚠ ОБОЕРЕЖНО: Якщо в корпусі газонокосарки накопичилася трава або сторонні об'єкти, обов'язково вийміть блокувальний ключ і касету з акумулятором та надягніть захисні рукавички, перш ніж видаляти сміття зсередини корпусу.

УВАГА: Використовуйте машину лише для косіння газонів. Не використовуйте її для косіння бур'янів.

► Рис.23

Під час косіння міцно тримайте рукоятку обома руками.

Рекомендована швидкість косіння становить приблизно 1 метр на 4 секунди.

► Рис.24

Зовнішні краї передніх коліс є орієнтиром для ширини смуги скошування. Використовуйте зовнішні краї передніх коліс у якості орієнтирів, косіть смугами. Щоб рівномірно підстригти газон, перекривайте косаркою половину або третину попередньої смуги.

► Рис.25: 1. Ширина скошування 2. Зона перекриття 3. Зовнішній край

Змінійте напрям руху кожного разу, щоб уникнути пригнання трави в одному напрямку.

► Рис.26

Періодично перевіряйте кількість скошеної трави у корзині. Спорожніть корзину для трави до того, як вона заповниться. Перед кожною такою перевіркою зупиняйте газонокосарку та виймайте блокувальний ключ та касету з акумулятором.

УВАГА: Якщо використовувати газонокосарку із заповненим кошиком для трави, ріжуче полотно обертатиметься нерівномірно – це збільшує навантаження на двигун і може призвести до його виходу з ладу.

Косіння газону з високою травою

Не намагайтеся покосити газон з високою травою за один прохід. Натомість косіть такий газон у кілька прийомів. Косіть газон з інтервалом один або два дні, поки трава не набуде рівномірної довжини.

ПРИМІТКА: Якщо скосити високу траву одразу дуже коротко, це може призвести до її відмирання. Крім того, зрізана трава може заблокувати зсередини корпус газонокосарки.

Спорожнення корзини для трави

▲ПОПЕРЕДЖЕННЯ: Щоб зменшити ризик нещасного випадку, регулярно оглядайте корзину для трави на наявність пошкоджень або зменшення міцності. За необхідності замініть корзину для трави.

1. Відпустіть пусковий важіль.
 2. Вийміть блокувальний ключ.
 3. Відкрийте задню кришку й вийміть кошик для трави, тримаючи його за ручку.
- Рис.27: 1. Задня кришка 2. Ручка
4. Спорожніть корзину для трави.

ТЕХНІЧНЕ ОБСЛУГОВУВАННЯ

▲ПОПЕРЕДЖЕННЯ: Обов'язково виймайте з газонокосарки блокувальний ключ і касету з акумулятором, перш ніж ставити інструмент на зберігання, оглядати його або проводити ремонт або технічне обслуговування.

▲ПОПЕРЕДЖЕННЯ: Обов'язково виймайте блокувальний ключ, коли газонокосарка не використовується. Зберігайте блокувальний ключ у безпечному та недоступному для дітей місці.

▲ПОПЕРЕДЖЕННЯ: Під час огляду або проведення технічного обслуговування одягайте рукавиці.

▲ПОПЕРЕДЖЕННЯ: Під час огляду або технічного обслуговування інструмента обов'язково користуйтеся захисними окулярами з боковими щитками.

УВАГА: Ніколи не використовуйте газолін, бензин, розріджувач, спирт та подібні речовини. Їх використання може призвести до зміни кольору, деформації або появи тріщин.

Для забезпечення БЕЗПЕКИ та НАДІЙНОСТІ продукції, її ремонт, а також роботи з обслуговування або регулювання повинні виконуватись уповноваженими або заводськими сервісними центрами Makita із використанням запчастин виробництва компанії Makita.

Технічне обслуговування

1. Вийміть блокувальний ключ. Зберігайте його у безпечному та недоступному для дітей місці.
2. Очистіть газонокосарку за допомогою вологої тканини. Не розпилюйте та не лейте воду на газонокосарку під час чищення.
3. Покладіть газонокосарку на бік та видаліть залишки трави, що накопичилися під її кришкою.
4. Перевірте, чи належним чином затягнуто всі гайки, болти, рукоятки, гвинти та інші затискні пристрої.
5. Огляньте рухомі частини на наявність пошкоджень, тріщин та зношення. Пошкоджені або відсутні деталі необхідно відремонтувати або замінити.

Зберігання

▲ПОПЕРЕДЖЕННЯ: Якщо необхідно перенести газонокосарку в інше місце або поставити її на зберігання, забороняється тримати її за складені ручки; натомість тримайте газонокосарку за передню ручку. Якщо тримати її за складені ручки, можна отримати важкі травми або пошкодити газонокосарку.

Перш ніж ставити газонокосарку на зберігання, вийміть із неї касету з акумулятором і блокувальний ключ. Зберігайте газонокосарку в прохолодному сухому й замкненому приміщенні. Заборонено зберігати газонокосарку й зарядний пристрій у місцях, де температура може сягнути або перевищити 40 °С.

► **Рис.28:** 1. Передня ручка 2. Задня ручка

1. Відпустіть затискні гвинти та висуньте нижню ручку з обох боків. Опустіть ручку вперед. При цьому міцно тримайте нижню ручку, щоб вона не впала на протилежний бік від корпусу газонокосарки.

► **Рис.29:** 1. Затискний гвинт 2. Нижня ручка

2. Відпустіть затискні гайки та поверніть верхню ручку назад, висунувши її з обох боків.

► **Рис.30:** 1. Затискна гайка 2. Верхня ручка

3. Зберігайте корзину для трави між ручкою та корпусом газонокосарки.

► **Рис.31:** 1. Корзина для трави

ПРИМІТКА: Встановлюючи газонокосарку у вертикальне положення, не тримайте її за ручку; натомість використовуйте для цього передню ручку газонокосарки.

Зняття або встановлення ріжучого полотна газонокосарки

⚠ПОПЕРЕДЖЕННЯ: Під час зняття або встановлення ріжучого полотна обов'язково виймайте блокувальний ключ та касету з акумулятором. Якщо не вийняти блокувальний ключ та касету з акумулятором, це може призвести до важких травм.

⚠ПОПЕРЕДЖЕННЯ: Після відпускання пускового важеля ріжуче полотно продовжує рух за інерцією протягом кількох секунд. Заборонено розпочинати будь-які дії до повної зупинки ріжучого полотна.

⚠ПОПЕРЕДЖЕННЯ: Під час роботи з ріжучим полотном обов'язково одягайте рукавиці.

Знімання ріжучого полотна газонокосарки

Модель DLM382

1. Покладіть газонокосарку на бік таким чином, щоб важіль регулювання висоти скошування опинився зверху.

2. Щоб заблокувати обертання леза, вставте викрутку або аналогічний інструмент в отвір на корпусі газонокосарки.

3. Відкрутіть болт, обертаючи його гайковим ключем проти годинникової стрілки.

► **Рис.32:** 1. Ріжуче полотно газонокосарки
2. Викрутка 3. Ключ

4. Вийміть послідовно болт і лезо газонокосарки.

► **Рис.33:** 1. Опора для леза 2. Ріжуче полотно газонокосарки 3. Болт

Модель DLM432

1. Покладіть газонокосарку на бік таким чином, щоб важіль регулювання висоти скошування опинився зверху.

2. Щоб заблокувати обертання леза, вставте викрутку або аналогічний інструмент в отвір на корпусі газонокосарки.

3. Відкрутіть болт, обертаючи його гайковим ключем проти годинникової стрілки.

► **Рис.34:** 1. Ріжуче полотно газонокосарки
2. Викрутка 3. Ключ

4. Зніміть по черзі болт, зовнішній фланець, ріжуче полотно газонокосарки та внутрішній фланець.

► **Рис.35:** 1. Внутрішній фланець 2. Ріжуче полотно газонокосарки 3. Зовнішній фланець
4. Болт

Установлення ріжучого полотна газонокосарки

Щоб встановити ріжуче полотно газонокосарки, виконайте процедуру його зняття у зворотному порядку.

⚠ПОПЕРЕДЖЕННЯ: Обережно встановіть ріжуче полотно газонокосарки. Воно має верхню й нижню поверхні. Розташуйте ріжуче полотно таким чином, щоб сторона зі стрілкою, що показує напрям обертання, була спрямована назовні.

⚠ПОПЕРЕДЖЕННЯ: Міцно затягніть болт за годинниковою стрілкою, щоб закріпити ріжуче полотно.

⚠ПОПЕРЕДЖЕННЯ: Переконайтеся в тому, що ріжуче полотно газонокосарки й усі кріпильні деталі правильно встановлено й надійно затягнуто.

⚠ПОПЕРЕДЖЕННЯ: Під час встановлення ріжучих полотен обов'язково дотримуйтеся інструкцій, наведених у цьому посібнику.

УСУНЕННЯ НЕСПРАВНОСТЕЙ

Перш ніж звертатися з приводу ремонту інструмента, проведіть його перевірку самостійно. У разі виявлення несправності, яку не описано в цьому посібнику, не намагайтеся розібрати інструмент. Натомість зверніться до авторизованих сервісних центрів Makita та використовуйте для ремонту тільки запасні частини виробництва компанії Makita.

Стан відхилення від норми	Можлива причина (несправність)	Спосіб виправлення
Газонокосарка не запускається.	Не встановлено дві касети з акумулятором.	Встановіть заряджені касети з акумулятором.
	Проблема з акумулятором (знижена напруга)	Зарядіть касету з акумулятором. Якщо зарядження не призвело до бажаного результату, замініть касету з акумулятором.
	Блокувальний ключ не вставлено.	Вставте блокувальний ключ.
Двигун перестає працювати після короткочасного використання.	Низький рівень заряду акумулятора.	Зарядіть касету з акумулятором. Якщо зарядження не призвело до бажаного результату, замініть касету з акумулятором.
	Висота різання замала.	Збільште висоту різання.
Двигун не досягає максимальної швидкості обертання.	Касету з акумулятором встановлено неправильно.	Встановіть касету з акумулятором, як описано в цьому посібнику.
	Заряд акумулятора зменшується.	Зарядіть касету з акумулятором. Якщо зарядження не призвело до бажаного результату, замініть касету з акумулятором.
	Система приводу працює неправильно.	Зверніться до місцевого авторизованого сервісного центру з приводу ремонту.
Ріжуче полотно газонокосарки не обертається: ⇒ негайно зупиніть газонокосарку!	Сторонній предмет, як-от гілка, застряг поруч із ріжучим полотном.	Приберіть сторонній предмет.
	Система приводу працює неправильно.	Зверніться до місцевого авторизованого сервісного центру з приводу ремонту.
Аномальна вібрація: ⇒ негайно зупиніть газонокосарку!	Ріжуче полотно розбалансоване, надмірно або нерівномірно зношене.	Замініть ріжуче полотно.

ДОДАТКОВЕ ПРИЛАДДЯ

⚠ ОБЕРЕЖНО: Це додаткове та допоміжне обладнання рекомендовано використовувати з інструментом Makita, зазначеним у цій інструкції з експлуатації. Використання будь-якого іншого додаткового та допоміжного обладнання може становити небезпеку травмування. Використовуйте додаткове та допоміжне обладнання лише за призначенням.

У разі необхідності отримати допомогу в більш детальному ознайомленні з оснащенням звертайтеся до місцевого сервісного центру Makita.

- Ріжуче полотно газонокосарки
- Вставка для мульчування
- Оригінальний акумулятор та зарядний пристрій Makita

ПРИМІТКА: Деякі елементи списку можуть входити до комплекту інструмента як стандартне приладдя. Вони можуть відрізнятися залежно від країни.

ТЕХНИЧЕСКИЕ ХАРАКТЕРИСТИКИ

Модель:		DLM382	DLM432
Ширина скашивания (диаметр лезвия)		380 мм	430 мм
Число оборотов без нагрузки		3 700 мин ⁻¹	3 600 мин ⁻¹
Сменное лезвие газонокосилки, номер детали		191D41-2	191D43-8
Размеры (Д × Ш × В)	во время работы	Д: от 1 380 мм до 1 410 мм Ш: 450 мм В: от 985 мм до 1 005 мм	Д: от 1 435 мм до 1 490 мм. Ш: 460 мм В: от 1 005 мм до 1 045 мм.
	в положении для хранения (без корзины для травы)	860 мм × 450 мм × 475 мм	865 мм × 460 мм × 475 мм
Номинальное напряжение		36 В пост. тока	
Масса нетто		16,2 – 16,9 кг	16,8 – 17,5 кг

- Благодаря нашей постоянно действующей программе исследований и разработок указанные здесь технические характеристики могут быть изменены без предварительного уведомления.
- Технические характеристики могут различаться в зависимости от страны.
- Масса может отличаться в зависимости от дополнительного оборудования. Обратите внимание, что блок аккумулятора также считается дополнительным оборудованием. В таблице представлены комбинации с наибольшим и наименьшим весом в соответствии с процедурой EPTA 01/2014.

Подходящий блок аккумулятора

BL1815N / BL1820 / BL1820B / BL1830 / BL1830B / BL1840 / BL1840B / BL1850 / BL1850B / BL1860B

- В зависимости от региона вашего проживания некоторые блоки аккумуляторов, перечисленные выше, могут быть недоступны.

⚠ ОСТОРОЖНО: Используйте только перечисленные выше блоки аккумуляторов. Использование других блоков аккумуляторов может привести к травме и/или пожару.

СИМВОЛЫ

Ниже приведены символы, используемые для обозначения. Перед использованием убедитесь, что вы понимаете их значение.

	Обратите особое внимание.
	Прочитайте руководство по эксплуатации.
	Опасность! Возможен разлет твердых предметов.
	Расстояние от инструмента до находящихся поблизости людей должно быть не менее 15 м.
	Не приближайте руки и ноги к ножам под днищем газонокосилки. После выключения электромотора лезвия продолжают вращаться.
	Перед осмотром, регулировкой, очисткой, обслуживанием, оставлением и хранением газонокосилки извлекайте ключ блокировки.



Только для стран ЕС
Не выбрасывайте электрооборудование или аккумуляторы вместе с бытовым мусором!
В соответствии с европейскими директивами об утилизации электрического и электронного оборудования, а также использованных батарей и аккумуляторах и их применении в соответствии с местными законами электрооборудование, батареи и аккумуляторы, срок эксплуатации которых истек, должны утилизироваться отдельно и передаваться для утилизации на предприятие, соответствующее применяемым правилам охраны окружающей среды.

Назначение

Газонокосилка предназначена для стрижки газонов.

Шум

Типичный уровень взвешенного звукового давления (A), измеренный в соответствии с EN60335-2-77:

Модель DLM382

Уровень звукового давления (L_{PA}): 81 дБ (A)
Уровень звуковой мощности (L_{WA}): 91 дБ (A)
Погрешность (K): 3 дБ (A)

Модель DLM432

Уровень звукового давления (L_{PA}): 81 дБ (A)
Уровень звуковой мощности (L_{WA}): 92 дБ (A)
Погрешность (K): 3 дБ (A)

ПРИМЕЧАНИЕ: Заявленное значение распространения шума измерено в соответствии со стандартной методикой испытаний и может быть использовано для сравнения инструментов.

ПРИМЕЧАНИЕ: Заявленное значение распространения шума можно также использовать для предварительных оценок воздействия.

⚠ ОСТОРОЖНО: Используйте средства защиты слуха.

⚠ ОСТОРОЖНО: Распространение шума во время фактического использования электроинструмента может отличаться от заявленного значения в зависимости от способа применения инструмента и в особенности от типа обрабатываемой детали.

⚠ ОСТОРОЖНО: Обязательно определите меры безопасности для защиты оператора, основанные на оценке воздействия в реальных условиях использования (с учетом всех этапов рабочего цикла, таких как выключение инструмента, работа без нагрузки и включение).

Вибрация

Суммарное значение вибрации (сумма векторов по трем осям), определенное в соответствии с EN60335-2-77:

Модель DLM382

Распространение вибрации (a_h): 2,5 м/с² или менее
Погрешность (K): 2,0 м/с²

Модель DLM432

Распространение вибрации (a_h): 2,5 м/с² или менее
Погрешность (K): 1,5 м/с²

ПРИМЕЧАНИЕ: Заявленное общее значение распространения вибрации измерено в соответствии со стандартной методикой испытаний и может быть использовано для сравнения инструментов.

ПРИМЕЧАНИЕ: Заявленное общее значение распространения вибрации можно также использовать для предварительных оценок воздействия.

⚠ ОСТОРОЖНО: Распространение вибрации во время фактического использования электроинструмента может отличаться от заявленного значения в зависимости от способа применения инструмента и в особенности от типа обрабатываемой детали.

⚠ ОСТОРОЖНО: Обязательно определите меры безопасности для защиты оператора, основанные на оценке воздействия в реальных условиях использования (с учетом всех этапов рабочего цикла, таких как выключение инструмента, работа без нагрузки и включение).

Декларация о соответствии ЕС

Только для европейских стран

Декларация о соответствии ЕС включена в руководство по эксплуатации (Приложение А).

МЕРЫ БЕЗОПАСНОСТИ

ВАЖНЫЕ ИНСТРУКЦИИ ПО ТЕХНИКЕ БЕЗОПАСНОСТИ

⚠ ОСТОРОЖНО: Ознакомьтесь со всеми инструкциями и рекомендациями по технике безопасности. Невыполнение инструкций и рекомендаций может привести к поражению электротоком, пожару и/или тяжелым травмам.

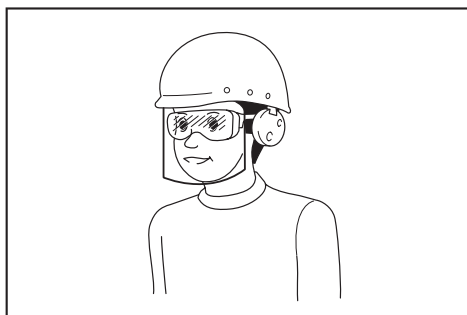
Сохраните брошюру с инструкциями и рекомендациями для дальнейшего использования.

Инструктаж

1. Внимательно прочитайте инструкции. Ознакомьтесь со всеми элементами управления и правилами надлежащей эксплуатации газонокосилки.
2. Не разрешайте детям и лицам, не знакомым с данными инструкциями, пользоваться косилкой. В местном законодательстве могут существовать возрастные ограничения для операторов.
3. Запрещается эксплуатировать газонокосилку, если поблизости находятся люди (в особенности дети) или животные.
4. Помните, что оператор/пользователь несет ответственность за происшествия и опасные ситуации с другими людьми или их собственностью.
5. Следует следить за маленькими детьми, чтобы они не использовали газонокосилку в качестве игрушки.
6. Физическое состояние – не эксплуатируйте газонокосилку, находясь под действием наркотиков, алкоголя или лекарств.

Подготовка

1. На время эксплуатации косилки обязательно надевайте прочную обувь и длинные брюки. Не пользуйтесь оборудованием босиком или в открытых сандалиях. Не следует носить галстук, свободную одежду или украшения, а также одежду, украшенную свисающими шнурами. Их может затянуть движущимися деталями.
2. Перед началом работы визуально осматривайте газонокосилку на предмет поврежденных, отсутствующих или неправильно установленных ограждений или экранов.
3. Перед началом работы убедитесь, что поблизости никого нет. Если кто-либо приблизился, выключите газонокосилку.
4. Не вставляйте ключ блокировки в газонокосилку, пока она не будет готова к эксплуатации.
5. Во время работы с электроинструментом всегда надевайте защитные очки. Очки должны соответствовать ANSI Z87.1 для США, EN 166 для Европы, или AS/NZS 1336 для Австралии и Новой Зеландии. В Австралии и Новой Зеландии оператор также обязан носить защитную маску.



Ответственность за использование средств защиты операторами и другим персоналом вблизи рабочей зоны возлагается на работодателя.

6. Перед эксплуатацией тщательно осмотрите лезвия и болты лезвий и убедитесь в отсутствии трещин или повреждений. Немедленно замените треснувшие или поврежденные лезвия или болты лезвий.
7. Перед началом работы очистите площадку от посторонних предметов (камней, проволоки, бутылок, костей и больших палок), чтобы не допустить травм или повреждения газонокосилки.
8. Предметы, отброшенные лезвием газонокосилки, могут нанести тяжелые травмы. Перед началом работы необходимо тщательно осмотреть газон и очистить его от всех предметов.
9. Осматривайте газон на предмет углублений, колея, ухабов, камней или других скрытых предметов. Неровности поверхности могут стать причиной подкальзывания и падения. Высокая трава может скрывать препятствия.

Эксплуатация

1. Во время работы с устройством не тянитесь. Всегда сохраняйте равновесие. При работе на склонах занимайте устойчивое положение. Передвигайтесь шагом, не бегите.
2. Остановите газонокосилку, извлеките ключ блокировки и убедитесь в том, что все движущиеся части полностью остановились, если:
 - оставляете машину;
 - планируете устранить засоры и удалить предметы, закупорившие желоб;
 - собираетесь проверять, очищать оборудование или выполнять его обслуживание;
 - оборудование ударилось о посторонний предмет. Перед повторным запуском осмотрите машину на предмет повреждений и устраните неисправность:
 - при появлении ненормальной вибрации в газонокосилке.
3. Запрещается использовать машину с неисправными ограждениями и экранами или без защитных приспособлений, например дефлекторов или бункера для сбора травы.
4. Не рекомендуется использовать газонокосилку в неблагоприятных погодных условиях, особенно если существует риск удара молнии.
5. При эксплуатации газонокосилки обязательно носите средства защиты глаз и прочную обувь.

6. Используйте устройство только в дневное время или при хорошем искусственном освещении.
7. Осторожно включайте газонокосилку в соответствии с инструкциями, ноги при этом должны находиться как можно дальше от лезвий.
8. Соблюдайте меры безопасности во избежание травмирования ног и рук лезвием газонокосилки.
9. Следите за тем, чтобы вентиляционные отверстия не были засорены.
10. Выполняйте стрижку газонов поперек склона, а не вниз-вверх. Соблюдайте особую осторожность, меняя направление движения на склонах. Не выполняйте стрижку чересчур крутых склонов.
11. Соблюдайте особую осторожность, перемещая газонокосилку задним ходом или подтягивая ее к себе.
12. Обязательно остановите лезвие(я), если машину необходимо наклонить для транспортировки по поверхности, отличной от травы, либо при транспортировке машины к месту эксплуатации и обратно.
13. Не наклоняйте машину при включении двигателя, кроме случаев, когда ее необходимо наклонять для пуска. В этом случае наклоняйте ее на минимально необходимый угол и поднимайте только дальнюю от оператора часть. При опускании газонокосилки на землю всегда крепко держите рукоятку обеими руками.
14. Не помещайте руки или ноги под вращающиеся детали или вблизи них. Никогда не становитесь перед разгрузочным отверстием.
15. Не транспортируйте включенную газонокосилку.
16. Не рекомендуется использовать машину на мокрой траве.
17. Запрещается использовать газонокосилку во время дождя.
18. Постоянно надежно удерживайте рукоятку.
19. Поднимая или удерживая косилку, не беритесь за оголенные ножи или режущие кромки.
20. Не приближайте руки и ноги к вращающимся ножам. Внимание - лезвия продолжают вращаться после отключения газонокосилки.
21. Немедленно прекратите выполнение операции, если заметите отклонения в работе. Выключите газонокосилку и извлеките ключ блокировки. Затем осмотрите газонокосилку.
22. Запрещается регулировать высоту скашивания во время движения газонокосилки (если газонокосилка позволяет регулировать высоту скашивания).
23. Отпустите рычажный выключатель и дождитесь остановки лезвия, прежде чем переходить улицы, пешеходные дорожки, дороги и любые области с гравийным покрытием. Кроме того, извлеките ключ блокировки, если выпускаете газонокосилку из рук, нагибаетесь, чтобы подобрать или убрать что-либо с дороги, или по любой другой причине, которая может отвлечь вас от работы.

24. Если газонокосилка ударилась о посторонний предмет, выполните следующее:
 - выключите газонокосилку, отпустите рычажный выключатель и дождитесь полной остановки лезвия;
 - Извлеките ключ блокировки и блок аккумулятора.
 - внимательно осмотрите газонокосилку на предмет повреждений;
 - замените лезвие, если оно повреждено.
 Устраните повреждения, прежде чем перезапустить газонокосилку и возобновлять работу.
25. Не включайте двигатель, стоя перед разгруженным отверстием.
26. Если начинается непредусмотренная вибрация машины (немедленно проверьте)
 - осмотрите на предмет повреждений;
 - замените или отремонтируйте поврежденные детали;
 - проверьте на предмет ослабленных деталей и подтяните их.
27. Не направляйте поток срезанного материала на людей. Не направляйте поток срезанного материала на стену или какой-либо предмет. Срезанный материал может отскочить в сторону оператора. Остановите лезвия на время транспортировки по поверхности из гравия.
28. Не тяните газонокосилку назад без крайней необходимости. Если необходимо отвести косилку от забора или другого аналогичного препятствия, смотрите вниз и назад до начала движения, а также время движения назад.
29. Прежде чем снимать травосборник, отключите двигатель и подождите, пока лезвие полностью остановится. Имейте в виду, что лезвия продолжают вращаться после отключения.

Техническое обслуживание и хранение

1. Чтобы обеспечить безопасность, заменяйте изношенные и поврежденные детали. Используйте только оригинальные сменные части и приспособления.
2. Регулярно осматривайте и выполняйте техническое обслуживание газонокосилки.
3. Когда газонокосилка не используется, храните ее в недоступном для детей месте.
4. Все гайки, болты и винты должны быть надежно затянуты — это обеспечит безопасность и работоспособность.
5. Чаще проверяйте корзину для травы на предмет износа или повреждений. Помещая устройство на хранение, обязательно очистите корзину для травы. Для обеспечения безопасности замените изношенную корзину для травы на новую.
6. Пользуйтесь только оригинальными лезвиями производителя, указанными в данном руководстве.
7. Соблюдайте осторожность при регулировке газонокосилки, чтобы не допустить защемления пальцев между движущимися лезвиями и неподвижными деталями машины.
8. Не мойте машину из шланга; не допускайте попадания воды в двигатель и на электрические разъемы.

9. Чаще проверяйте надежность затяжки болта крепления лезвия.
10. Перед постановкой на хранение дайте косилке остыть.
11. При обслуживании лезвий следует помнить, что лезвия могут двигаться даже при отключенном питании.
12. Не удаляйте предохранительные устройства и не вносите в них изменения. Регулярно проверяйте правильность их работы. Не предпринимайте никаких действий, которые могут повлиять на функционирование предохранительного устройства или снизить степень защиты, обеспечиваемой предохранительным устройством.

Эксплуатация и обслуживание электроинструмента, работающего на аккумуляторах

1. Заряжайте аккумулятор только зарядным устройством, указанным изготовителем. Зарядное устройство, подходящее для одного типа аккумуляторов, может привести к пожару при его использовании с другим аккумуляторным блоком.
2. Используйте электроинструмент только с указанными аккумуляторными блоками. Использование других аккумуляторных блоков может привести к травме или пожару.
3. Когда аккумуляторный блок не используется, храните его отдельно от металлических предметов, таких как скрепки, монеты, ключи, гвозди, шурупы или другие небольшие металлические предметы, которые могут привести к закорачиванию контактов аккумуляторного блока между собой. Короткое замыкание между контактами аккумуляторного блока может привести к ожогам или пожару.
4. При неправильном обращении из аккумуляторного блока может потечь жидкость. Избегайте контакта с ней. В случае контакта с кожей промойте место контакта обильным количеством воды. В случае попадания в глаза обратитесь к врачу. Жидкость из аккумулятора может вызвать раздражение или ожоги.
5. Не используйте поврежденные или модифицированные инструменты и аккумуляторные блоки. Поврежденные или модифицированные аккумуляторы могут работать некорректно, что может привести к пожару, взрыву или травмированию.
6. Не подвергайте аккумуляторный блок или инструмент воздействию огня или высокой температуры. Воздействие огня или температуры выше 130 °C может привести к взрыву.
7. Следуйте всем инструкциям по зарядке и не заряжайте аккумуляторный блок или инструмент при температурных условиях, выходящих за пределы диапазона, указанного в инструкции. Зарядка ненадлежащим образом или при температурных условиях, выходящих за пределы указанного диапазона, может привести к повреждению батареи и повысить риск пожара.

Электробезопасность

1. **Не бросайте аккумуляторные блоки в огонь.** Они могут взорваться. Уточните местные правила утилизации аккумуляторов.
2. **Не вскрывайте и не разбивайте аккумуляторы.** Содержащийся в них электролит очень едкий, вы можете повредить глаза или кожу. При проглатывании это вещество может вызвать отравление.
3. **Не заряжайте аккумулятор под дождем или в местах с повышенной влажностью.**
4. **Не заряжайте аккумулятор на улице.**
5. **Не касайтесь зарядного устройства, а также штекера и контактов зарядного устройства влажными руками.**

Сервисное обслуживание

1. Сервисное обслуживание электроинструмента должно проводиться только квалифицированным специалистом по ремонту и только с использованием идентичных запасных частей. Это позволит обеспечить безопасность электроинструмента.
2. **Запрещается обслуживать поврежденные аккумуляторные блоки.** Обслуживание аккумуляторных блоков должен осуществлять только производитель или авторизованные поставщики услуг.

СОХРАНИТЕ ДАННЫЕ ИНСТРУКЦИИ.

▲ОСТОРОЖНО: НЕ ДОПУСКАЙТЕ, чтобы удобства или опыт эксплуатации данного устройства (полученный от многократного использования) доминировали над строгим соблюдением правил техники безопасности при обращении с этим устройством.

НЕПРАВИЛЬНОЕ ИСПОЛЬЗОВАНИЕ инструмента или несоблюдение правил техники безопасности, указанных в данном руководстве, может привести к тяжелой травме.

Важные правила техники безопасности для работы с аккумуляторным блоком

1. Перед использованием аккумуляторного блока прочитайте все инструкции и предупреждающие надписи на (1) зарядном устройстве, (2) аккумуляторном блоке и (3) инструменте, работающем от аккумуляторного блока.
2. Не разбирайте аккумуляторный блок.
3. Если время работы аккумуляторного блока значительно сократилось, немедленно прекратите работу. В противном случае, может возникнуть перегрев блока, что приведет к ожогам и даже к взрыву.
4. В случае попадания электролита в глаза промойте их обильным количеством чистой воды и немедленно обратитесь к врачу. Это может привести к потере зрения.

5. **Не замыкайте контакты аккумуляторного блока между собой:**
 - (1) **Не прикасайтесь к контактам какими-либо токопроводящими предметами.**
 - (2) **Не храните аккумуляторный блок в контейнере вместе с другими металлическими предметами, такими как гвозди, монеты и т. п.**
 - (3) **Не допускайте попадания на аккумуляторный блок воды или дождя.****Замыкание контактов аккумуляторного блока между собой может привести к возникновению большого тока, перегреву, возможному ожогу и даже поломке блока.**
6. **Не храните инструмент и аккумуляторный блок в местах, где температура может достигать или превышать 50 °C (122 °F).**
7. **Не бросайте аккумуляторный блок в огонь, даже если он сильно поврежден или полностью вышел из строя. Аккумуляторный блок может взорваться под действием огня.**
8. **Не роняйте и не ударяйте аккумуляторный блок.**
9. **Не используйте поврежденный аккумуляторный блок.**

10. **Входящие в комплект литий-ионные аккумуляторы должны эксплуатироваться в соответствии с требованиями законодательства об опасных товарах.** При коммерческой транспортировке, например, третьей стороной или экспедитором, необходимо нанести на упаковку специальные предупреждения и маркировку.

В процессе подготовки устройства к отправке обязательно проконсультируйтесь со специалистом по опасным материалам. Также соблюдайте местные требования и нормы. Они могут быть строже. Закройте или закрепите разомкнутые контакты и упакуйте аккумулятор так, чтобы он не перемещался по упаковке.

11. **Для утилизации блока аккумулятора извлеките его из инструмента и утилизируйте безопасным способом. Выполняйте требования местного законодательства по утилизации аккумуляторного блока.**
12. **Используйте аккумуляторы только с продукцией, указанной Makita.** Установка аккумуляторов на продукцию, не соответствующую требованиям, может привести к пожару, перегреву, взрыву или утечке электролита.
13. **Если инструментом не будут пользоваться в течение длительного периода времени, извлеките аккумулятор из инструмента.**

СОХРАНИТЕ ДАННЫЕ ИНСТРУКЦИИ.

▲ВНИМАНИЕ: Используйте только фирменные аккумуляторные батареи Makita. Использование аккумуляторных батарей, не произведенных Makita, или батарей, которые были подвергнуты модификациям, может привести к взрыву аккумулятора, пожару, травмам и повреждению имущества. Это также автоматически аннулирует гарантию Makita на инструмент и зарядное устройство Makita.

Советы по обеспечению максимального срока службы аккумулятора

1. Заряжайте блок аккумуляторов перед его полной разрядкой. Обязательно прекратите работу с инструментом и зарядите блок аккумуляторов, если вы заметили снижение мощности инструмента.
2. Никогда не подзаряжайте полностью заряженный блок аккумуляторов. Перезарядка сокращает срок службы аккумулятора.
3. Заряжайте блок аккумуляторов при комнатной температуре в 10 - 40 °C (50 - 104 °F). Перед зарядкой горячего блока аккумуляторов дайте ему остыть.
4. Зарядите ионно-литиевый аккумуляторный блок, если вы не будете пользоваться инструментом длительное время (более шести месяцев).

СБОРКА

⚠ ОСТОРОЖНО: Прежде чем выполнять какие-либо операции с газонокосилкой, убедитесь, что ключ блокировки и блок аккумулятора извлечены. Несоблюдение этого требования может привести к тяжелой травме в результате случайного пуска инструмента.

⚠ ОСТОРОЖНО: Не запускайте частично собранную газонокосилку. Использование машины в частично собранном виде может стать причиной тяжелой травмы в результате случайного пуска.

Установка крышки аккумулятора

⚠ ОСТОРОЖНО: Устанавливайте ключ блокировки и блок аккумулятора только после установки крышки аккумулятора. Несоблюдение этого требования может привести к серьезной травме.

Перед эксплуатацией инструмента полностью установите крышку аккумулятора. Крышка аккумулятора защищает газонокосилку и блок аккумулятора от грязи, пыли и воды.

1. Расположите крышку аккумулятора таким образом, чтобы выступы на косилке совместились с отверстиями в крышке.
► **Рис.1:** 1. Выступ 2. Отверстие 3. Крышка аккумуляторной батареи
2. Нажмите руками на середину крышки аккумулятора.
► **Рис.2**
3. Перед первым включением убедитесь, что петли крышки аккумулятора собраны правильно. Если крышка аккумулятора установлена верно, она не будет открываться, пока вы не нажмете на стопорный рычаг.
► **Рис.3:** 1. Петля 2. Стопорный рычаг крышки аккумулятора

Установка рукоятки

ПРИМЕЧАНИЕ: При установке рукояток расположите провода так, чтобы они не защемлялись между рукоятками. Если шнур поврежден, выключатель косилки не будет работать.

1. Установите оба конца нижней рукоятки в пазы газонокосилки и полностью затяните зажимные винты.
► **Рис.4:** 1. Зажимной винт 2. Нижняя рукоятка
2. Выровняйте отверстия под винты верхней и нижней рукояток. Зафиксируйте их при помощи зажимных винтов и гаек.
► **Рис.5:** 1. Зажимная гайка 2. Зажимной винт

ПРИМЕЧАНИЕ: Удерживайте верхнюю рукоятку ровно, чтобы она не выскальзывала из вашей руки.

3. Присоедините держатели к рукоятке. Расположите шнур подачи питания, как показано на рисунке.
► **Рис.6:** 1. Держатель

Удаление вставки для мульчирования

Дополнительные принадлежности

1. Откройте заднюю крышку.
► **Рис.7:** 1. Задняя крышка
2. Удерживайте вставку для мульчирования за рукоятку и извлеките ее из корпуса газонокосилки, как показано на рисунке.
► **Рис.8:** 1. Вставка для мульчирования 2. Рукоятка

Установка корзины для травы

1. Откройте заднюю крышку.
► **Рис.9:** 1. Задняя крышка
2. Установите корзину для травы на стержень корпуса газонокосилки, как указано на рисунке.
► **Рис.10:** 1. Крючок 2. Шток 3. Корзина для травы

Установка вставки для мульчирования

Дополнительные принадлежности

1. Откройте заднюю крышку и снимите корзину для травы.
► **Рис.11:** 1. Задняя крышка 2. Корзина для травы
2. Удерживайте вставку для мульчирования за рукоятку и вставьте ее в корпус газонокосилки, как показано на рисунке.
► **Рис.12:** 1. Вставка для мульчирования 2. Рукоятка

ОПИСАНИЕ РАБОТЫ

Установка или снятие блока аккумулятора

▲ВНИМАНИЕ: Перед установкой и извлечением блока аккумулятора выключайте машину.

▲ВНИМАНИЕ: Перед использованием убедитесь, что заперли крышку блока аккумулятора. В противном случае грязь, мусор или вода могут повредить изделие или блок аккумулятора.

▲ВНИМАНИЕ: Обязательно устанавливайте блок аккумулятора до конца, чтобы красный индикатор не был виден. В противном случае блок может выпасть из машины и нанести травму вам или другим людям.

▲ВНИМАНИЕ: Не прилагайте чрезмерных усилий при установке блока аккумулятора. Если блок не двигается свободно, значит он вставлен неправильно.

ПРИМЕЧАНИЕ: Машина не будет работать только с одним блоком аккумулятора.

Чтобы установить блок аккумулятора:

1. Сдвиньте рычаг блокировки крышки аккумулятора и откройте крышку.

► **Рис.13:** 1. Крышка аккумуляторной батареи 2. Стопорный рычаг крышки аккумулятора

2. Совместите язычок на блоке аккумулятора с канавкой на газонокосилке, затем вставьте блок до щелчка.

► **Рис.14:** 1. Блок аккумулятора

3. Вставьте ключ блокировки до упора в точку, показанной на рисунке.

► **Рис.15:** 1. Ключ блокировки

4. Закройте крышку аккумулятора и нажмите на нее до фиксации рычагом блокировки.

Чтобы извлечь блок аккумулятора из газонокосилки:

1. Сдвиньте рычаг блокировки крышки аккумулятора и откройте крышку.

2. Потяните блок аккумулятора, удерживая нажатой кнопку на лицевой стороне, и извлеките блок.

3. Извлеките ключ блокировки.

4. Закройте крышку аккумулятора.

Система защиты машины / аккумулятора

На машине предусмотрена система защиты машины / аккумулятора. Система автоматически отключает питание двигателя для продления срока службы инструмента и аккумулятора. Машина автоматически отключится в указанных далее случаях, влияющих на работу самой машины или аккумулятора.

Защита от перегрузки

Если из-за способа эксплуатации машина потребляет очень большое количество тока, она автоматически остановится без включения каких-либо индикаторов. В этом случае отключите машину и прекратите работу, из-за которой произошла перегрузка. Затем включите машину для перезапуска.

Защита от перегрева

При перегреве машина останавливается автоматически. Дайте ей остыть перед повторным включением.

Защита от переразрядки

При истощении заряда аккумулятора машина автоматически останавливается. Если устройство не работает даже после нажатия переключателей, снимите аккумуляторы с машины и зарядите их.

Индикация оставшегося заряда аккумулятора

► **Рис.16:** 1. Индикатор аккумулятора


















При низком заряде аккумулятора индикатор аккумулятора начинает мигать на соответствующей стороне аккумулятора. При дальнейшем использовании машина останавливается, а индикатор аккумулятора включается примерно на 10 секунд. В этом случае следует зарядить блок аккумулятора.

Индикация оставшегося заряда аккумулятора

Только для блоков аккумулятора с индикатором

► **Рис.17:** 1. Индикаторы 2. Кнопка проверки

Нажмите кнопку проверки на аккумуляторном блоке для проверки заряда. Индикаторы загорятся на несколько секунд.

Индикаторы			Уровень заряда
Горит	Выкл.	Мигает	
			
			от 75 до 100%
			от 50 до 75%
			от 25 до 50%
			от 0 до 25%
			Зарядите аккумуляторную батарею.
			Возможно, аккумуляторная батарея неисправна.
			
			

ПРИМЕЧАНИЕ: В зависимости от условий эксплуатации и температуры окружающего воздуха индикация может незначительно отличаться от фактического значения.

Действие выключателя

⚠ ОСТОРОЖНО: Перед установкой блока аккумулятора обязательно убедитесь в том, что рычажный выключатель работает правильно и возвращается в исходное положение после отпускания. Эксплуатация машины с неисправным переключателем может привести к потере контроля над ней и получению тяжелой травмы.

ПРИМЕЧАНИЕ: Если не нажать кнопку включения, газонокосилка не запустится, даже если потянуть рычажный выключатель.

ПРИМЕЧАНИЕ: Газонокосилка может не запуститься по причине перегрузки, если вы косите высокую или густую траву. В таком случае увеличьте высоту стрижки.

Данная газонокосилка оснащена выключателем блокировки и ручкой с выключателем. Заметив какие-либо отклонения в работе любого из этих выключателей, немедленно прекратите работу и проверьте их в ближайшем авторизованном сервисном центре Makita.

1. Установите блоки аккумуляторов. Вставьте ключ блокировки в выключатель блокировки и закройте крышку аккумулятора.

► **Рис.18:** 1. Блок аккумулятора 2. Ключ блокировки

2. Нажмите и удерживайте кнопку включения.

3. Возьмите верхнюю рукоятку и потяните рычажный переключатель.

► **Рис.19:** 1. Кнопка включения 2. Рычаг переключателя

4. Как только двигатель заработает, отпустите кнопку включения. Газонокосилка продолжит работать до тех пор, пока вы не отпустите рычажный выключатель.

5. Для выключения двигателя отпустите рычажный выключатель.

Регулировка высоты стрижки

⚠ ОСТОРОЖНО: При регулировке высоты стрижки не подсовывайте руку или ногу под газонокосилку.

⚠ ОСТОРОЖНО: Перед началом работы обязательно проверяйте, что рычаг хорошо входит в паз.

Высоту скашивания можно регулировать в диапазоне от 20 мм до 75 мм.

1. Извлеките ключ блокировки.

2. Потяните рычаг регулировки высоты стрижки к внешней стороне корпуса косилки и переведите его на нужную высоту.

► **Рис.20:** 1. Рычаг регулировки высоты стрижки

ПРИМЕЧАНИЕ: Значения высоты стрижки приведены только для справки. В зависимости от состояния газона и почвы конечная высота скошенной травы может незначительно отличаться от заданной.

ПРИМЕЧАНИЕ: Чтобы добиться желаемой высоты, выполните пробное скашивание на не слишком заметном участке газона.

Индикатор уровня травы

► **Рис.21:** 1. Индикатор уровня травы

Индикатор уровня травы показывает объем скошенной травы.

- Если корзина для травы не заполнена до верха, индикатор во время работы плавает.
- Если корзина для травы заполнена, индикатор во время работы неподвижен. В этом случае немедленно прекратите скашивание и опорожните корзину. Опорожнив корзину, очистите ее, чтобы воздух легко проходил через сетку.

ПРИМЕЧАНИЕ: Данный индикатор показывает приблизительный объем. В зависимости от условий внутри корзины индикатор может работать с ошибками.

Использование вставки для мульчирования

Дополнительные принадлежности

Вставка для мульчирования позволяет сбрасывать измельченную траву обратно на газон без сбора в корзину для травы. При работе с машиной, на которой установлена вставка для мульчирования, снимите корзину для травы.

ПРИМЕЧАНИЕ: При использовании машины со вставкой для мульчирования убедитесь в том, что общая длина травы составляет не менее 30 мм или длина среза не превышает 15 мм.

► **Рис.22:** (1) 30 мм или больше (2) 15 мм или меньше

ЭКСПЛУАТАЦИЯ

Скашивание

⚠ ОСТОРОЖНО: Перед скашиванием убедитесь с газона ветки и камни. Кроме того, заблаговременно очистите газон от сорняков.

⚠ ОСТОРОЖНО: При использовании газонокосилки обязательно надевайте защитные очки с боковыми щитками.

⚠ ВНИМАНИЕ: Если внутри корпуса газонокосилки набилась скошенная трава или посторонние предметы, перед очисткой корпуса обязательно вытащите ключ блокировки и блок аккумулятора и наденьте перчатки.

ПРИМЕЧАНИЕ: Используйте машину только для стрижки газонов. Не используйте ее для скашивания сорняков.

► **Рис.23**

Во время работы крепко удерживайте рукоятку обеими руками.

Рекомендованная скорость кошения составляет приблизительно 1 м за 4 с.

► **Рис.24**

Внешние края передних колес служат ориентиром ширины полосы скашивания. Используйте внешние края передних колес в качестве ориентиров, косите полосами. Чтобы равномерно подстричь газон, захватывайте половину или третью часть предыдущей полосы.

► **Рис.25:** 1. Ширина скашивания 2. Зона захвата 3. Внешние края

Каждый раз меняйте направление движения, чтобы избежать пригибания травы в одном направлении.

► **Рис.26**

Периодически проверяйте степень заполнения корзины для травы. Опорожните корзину, прежде чем она заполнится полностью. Перед каждой проверкой обязательно останавливайте газонокосилку и извлекайте ключ блокировки и блок аккумулятора.

ПРИМЕЧАНИЕ: Эксплуатация газонокосилки с заполненной корзиной для травы мешает плавному вращению лезвия и оказывает дополнительную нагрузку на двигатель, что может привести к поломке.

Скашивание высокой травы

Не старайтесь скосить длинную траву за один проход. Вместо этого выполняйте работу в несколько этапов. Скашивайте газон с интервалом в один или два дня до тех пор, пока он не станет ровным.

ПРИМЕЧАНИЕ: Скашивание высокой травы за один проход может стать причиной ее засыхания. Скошенная трава также может застрять в корпусе косилки.

Опорожнение корзины для травы

▲ ОСТОРОЖНО: Чтобы снизить риск несчастного случая, регулярно проверяйте корзину для травы на предмет повреждений и потери прочности. При необходимости замените ее.

1. Отпустите рычажный выключатель.
 2. Извлеките ключ блокировки.
 3. Откройте заднюю крышку и извлеките корзину для травы за специальную рукоятку.
- **Рис.27:** 1. Задняя крышка 2. Ручка
4. Опорожните корзину для травы.

ОБСЛУЖИВАНИЕ

▲ ОСТОРОЖНО: Перед помещением на хранение, переноской, осмотром или техническим обслуживанием газонокосилки обязательно вынимайте ключ блокировки и блок аккумулятора.

▲ ОСТОРОЖНО: Если газонокосилка не используется, обязательно извлеките ключ блокировки. Храните ключ блокировки в безопасном месте, недоступном для детей.

▲ ОСТОРОЖНО: При осмотре и обслуживании надевайте защитные перчатки.

▲ ОСТОРОЖНО: При осмотре и техническом обслуживании газонокосилки обязательно надевайте защитные очки с боковыми щитками.

ПРИМЕЧАНИЕ: Запрещается использовать бензин, растворители, спирт и другие подобные жидкости. Это может привести к обесцвечиванию, деформации и трещинам.

Для обеспечения БЕЗОПАСНОСТИ и НАДЕЖНОСТИ оборудования ремонт, любое другое техобслуживание или регулировку необходимо производить в уполномоченных сервис-центрах Makita или сервис-центрах предприятия с использованием только сменных частей производства Makita.

Обслуживание

1. Извлеките ключ блокировки. Храните его в безопасном месте, недоступном для детей.
2. Очистите газонокосилку влажной тряпкой. При очистке газонокосилки не распыляйте на нее воду и не поливайте ее водой.
3. Положите газонокосилку на бок и очистите обрезки травы, скопившиеся на днище.
4. Проверьте надежность затяжки всех гаек, болтов, рукояток, винтов, креплений и т. п.
5. Осмотрите подвижные части на предмет повреждений, поломок и износа. Необходимо отремонтировать или заменить поврежденные компоненты.

Хранение

▲ ОСТОРОЖНО: При переноске газонокосилки или помещении на хранение беритесь не за сложенные рукоятки, а за переднюю ручку. В противном случае можно повредить сложенные рукоятки или получить тяжелую травму.

Перед помещением газонокосилки на хранение извлеките блок аккумулятора и ключ блокировки. Храните газонокосилку в помещении, в сухом, прохладном, запираемом месте. Не храните газонокосилку и зарядное устройство в местах, где температура может подниматься до 40 °C и выше.

► **Рис.28:** 1. Передняя рукоятка 2. Задняя рукоятка

1. Ослабьте зажимные винты и раздвиньте нижнюю рукоятку с обеих сторон. Переместите переднюю рукоятку вниз. В этот момент надежно удерживайте нижнюю рукоятку, чтобы она не упала далеко от корпуса косилки.

► **Рис.29:** 1. Зажимной винт 2. Нижняя рукоятка

2. Ослабьте зажимные гайки и поверните верхнюю рукоятку назад, выдвигая с обеих сторон.

► **Рис.30:** 1. Зажимная гайка 2. Верхняя рукоятка

3. Храните корзину для травы рукояткой и корпусом газонокосилки.

► **Рис.31:** 1. Корзина для травы

ПРИМЕЧАНИЕ: При установке газонокосилки в вертикальное положение не беритесь за рукоятку, а используйте переднюю ручку.

Снятие или установка лезвия косилки

⚠ ОСТОРОЖНО: Обязательно извлекайте ключ блокировки и блок аккумулятора при снятии и установке лезвия. Невыполнение этого требования может привести к тяжелой травме.

⚠ ОСТОРОЖНО: После отпущения выключателя лезвие продолжает вращаться по инерции в течение нескольких секунд. Не приступайте к выполнению каких-либо операций, пока лезвие полностью не остановится.

⚠ ОСТОРОЖНО: При работе с лезвием обязательно надевайте защитные перчатки.

Снятие лезвия газонокосилки

Модель DLM382

1. Положите газонокосилку на бок, чтобы рычаг регулировки высоты стрижки оказался сверху.

2. Чтобы заблокировать вращение лезвия, вставьте отвертку или аналогичный инструмент в отверстие на корпусе газонокосилки.

3. Поверните болт гаечным ключом против часовой стрелки.

► **Рис.32:** 1. Лезвие газонокосилки 2. Шуруповерт 3. Гаечный ключ

4. Последовательно извлеките болт и лезвие газонокосилки.

► **Рис.33:** 1. Опора лезвия 2. Лезвие газонокосилки 3. Болт

Модель DLM432

1. Положите газонокосилку на бок, чтобы рычаг регулировки высоты стрижки оказался сверху.

2. Чтобы заблокировать вращение лезвия, вставьте отвертку или аналогичный инструмент в отверстие на корпусе газонокосилки.

3. Поверните болт гаечным ключом против часовой стрелки.

► **Рис.34:** 1. Лезвие газонокосилки 2. Шуруповерт 3. Гаечный ключ

4. Извлеките болт, наружный фланец, лезвие газонокосилки и внутренний фланец.

► **Рис.35:** 1. Внутренний фланец 2. Лезвие газонокосилки 3. Наружный фланец 4. Болт

Установка лезвия газонокосилки

Установка лезвия газонокосилки выполняется в порядке, обратном процедуре снятия.

⚠ ОСТОРОЖНО: Осторожно установите лезвие газонокосилки. Лезвие имеет верхнюю и нижнюю сторону. Расположите лезвие так, чтобы стрелка, обозначающая направление вращения, указывала наружу.

⚠ ОСТОРОЖНО: Надежно затяните болт по часовой стрелке, чтобы зафиксировать лезвие.

⚠ ОСТОРОЖНО: Убедитесь в том, что лезвие газонокосилки и все крепежные детали установлены правильно и надежно затянуты.

⚠ ОСТОРОЖНО: При замене лезвий всегда следуйте инструкциям, приведенным в руководстве по эксплуатации.

ПОИСК И УСТРАНЕНИЕ НЕИСПРАВНОСТЕЙ

Прежде чем обращаться по поводу ремонта, проведите осмотр самостоятельно. Если обнаружена неисправность, не указанная в руководстве, не пытайтесь разобрать инструмент. Обратитесь в один из авторизованных сервисных центров Makita, в которых для ремонта всегда используются оригинальные детали Makita.

Состояние неисправности	Возможная причина (неисправности)	Способ устранения
Газонокосилка не запускается.	Не установлены два блока аккумуляторов.	Установите заряженные блоки аккумуляторов.
	Неисправен аккумулятор (под напряжением)	Зарядите блок аккумулятора. Если перезарядка не помогает, замените блок аккумулятора.
	Ключ блокировки не вставлен.	Вставьте ключ блокировки.
После непродолжительного использования двигатель останавливается.	Низкий уровень заряда аккумулятора.	Зарядите блок аккумулятора. Если перезарядка не помогает, замените блок аккумулятора.
	Установлена слишком малая высота срезания.	Увеличьте высоту срезания.
Двигатель не достигает максимальной частоты вращения.	Неправильно установлен блок аккумулятора.	Вставьте блок аккумулятора, как описано в этом руководстве.
	Заряд аккумулятора падает.	Зарядите блок аккумулятора. Если перезарядка не помогает, замените блок аккумулятора.
	Привод работает неправильно.	Обратитесь в местный авторизованный центр для ремонта.
Лезвие газонокосилки не вращается: ⇒ немедленно выключите косилку!	Посторонний объект (например, ветка) застрял у лезвия.	Удалите посторонний предмет.
	Привод работает неправильно.	Обратитесь в местный авторизованный центр для ремонта.
Сильная вибрация: ⇒ немедленно выключите косилку!	Лезвие разбалансировано, изношено слишком сильно или неравномерно.	Замените лезвие.

ДОПОЛНИТЕЛЬНЫЕ ПРИНАДЛЕЖНОСТИ

⚠ ВНИМАНИЕ: Данные принадлежности или приспособления рекомендуются для использования с инструментом Makita, указанным в настоящем руководстве. Использование других принадлежностей или приспособлений может привести к получению травмы. Используйте принадлежность или приспособление только по указанному назначению.

Если вам необходимо содействие в получении дополнительной информации по этим принадлежностям, свяжитесь с вашим сервис-центром Makita.

- Лезвие газонокосилки
- Вставка для мульчирования
- Оригинальный аккумулятор и зарядное устройство Makita

ПРИМЕЧАНИЕ: Некоторые элементы списка могут входить в комплект инструмента в качестве стандартных приспособлений. Они могут отличаться в зависимости от страны.

Makita Europe N.V. Jan-Baptist Vinkstraat 2,
3070 Kortenberg, Belgium

Makita Corporation 3-11-8, Sumiyoshi-cho,
Anjo, Aichi 446-8502 Japan

www.makita.com

885748-964
EN, SL, SQ, BG,
HR, MK, SR, RO,
UK, RU
20190902