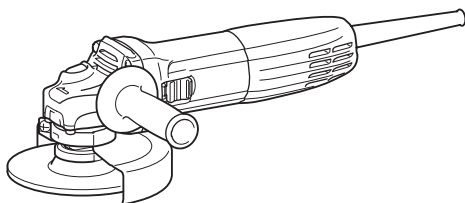




EN	Angle Grinder	INSTRUCTION MANUAL	5
SL	Kotni brusilnik	NAVODILA ZA UPORABO	13
SQ	Lëmues këndesh	MANUALI I PËRDORIMIT	21
BG	Ъглошлайф	РЪКОВОДСТВО ЗА ЕКСПЛОАТАЦИЯ	29
HR	Kutna brusilica	PRIRUČNIK S UPUTAMA	38
MK	Аголна брусилка	УПАТСТВО ЗА УПОТРЕБА	46
SR	Угаона брусаница	УПУТСТВО ЗА УПОТРЕБУ	55
RO	Polizor unghiular	MANUAL DE INSTRUCȚIUNI	64
UK	Кутова шліфувальна машина	ІНСТРУКЦІЯ З ЕКСПЛУАТАЦІЇ	72
RU	Угловая шлифмашина	РУКОВОДСТВО ПО ЭКСПЛУАТАЦИИ	81

GA4030R
GA4530R
GA5030R



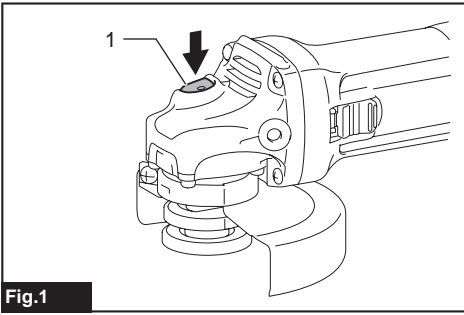


Fig.1

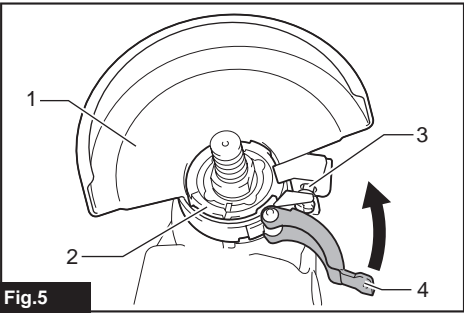


Fig.5

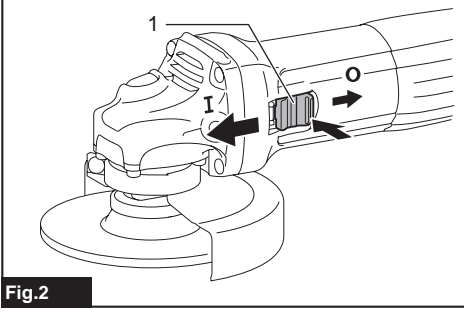


Fig.2

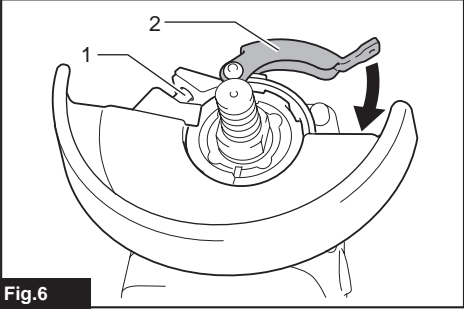


Fig.6

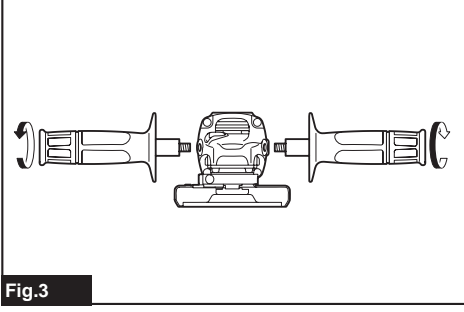


Fig.3

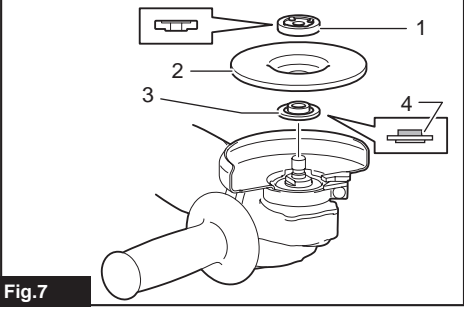


Fig.7

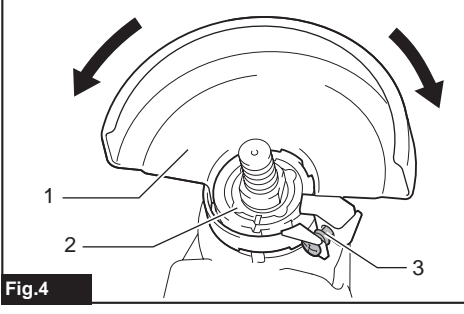


Fig.4

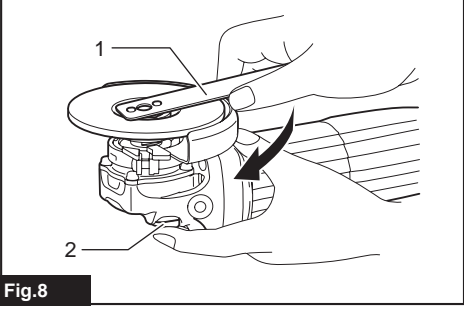
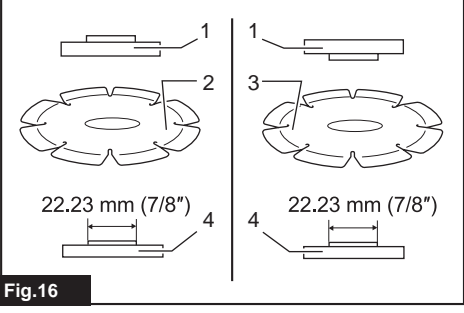
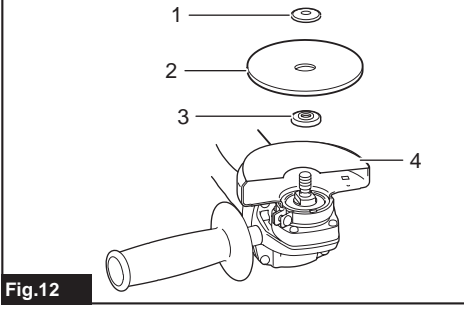
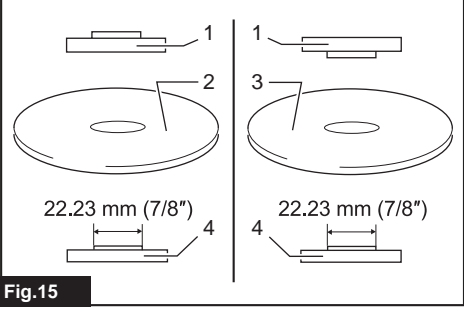
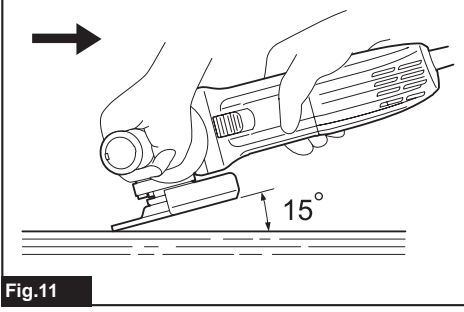
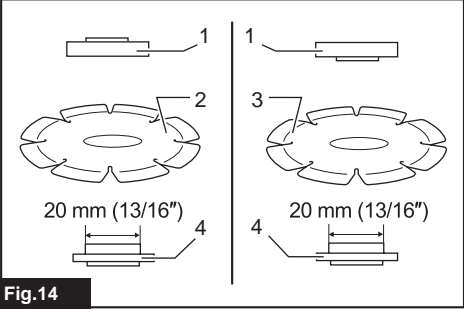
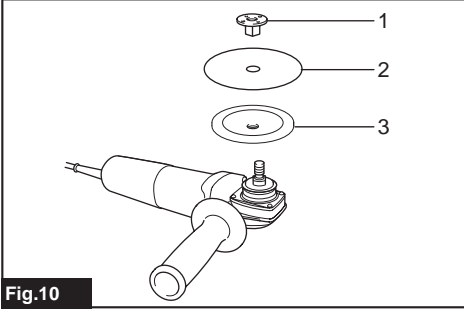
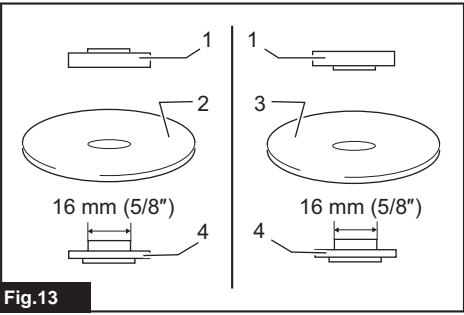
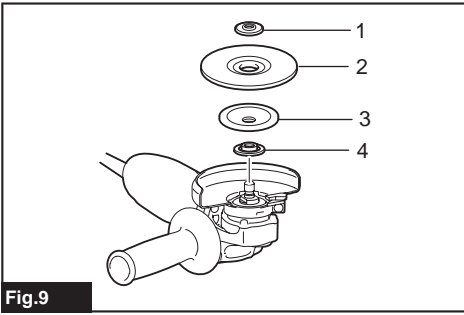


Fig.8



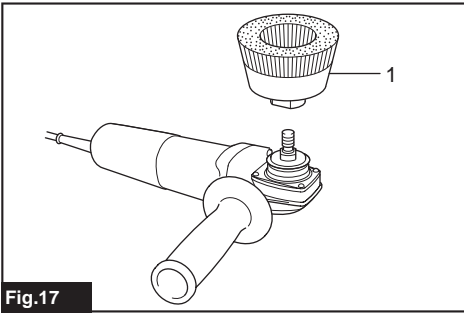


Fig.17

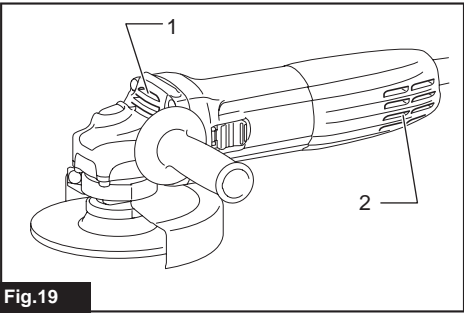


Fig.19

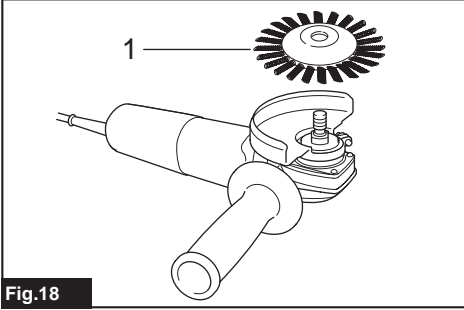


Fig.18

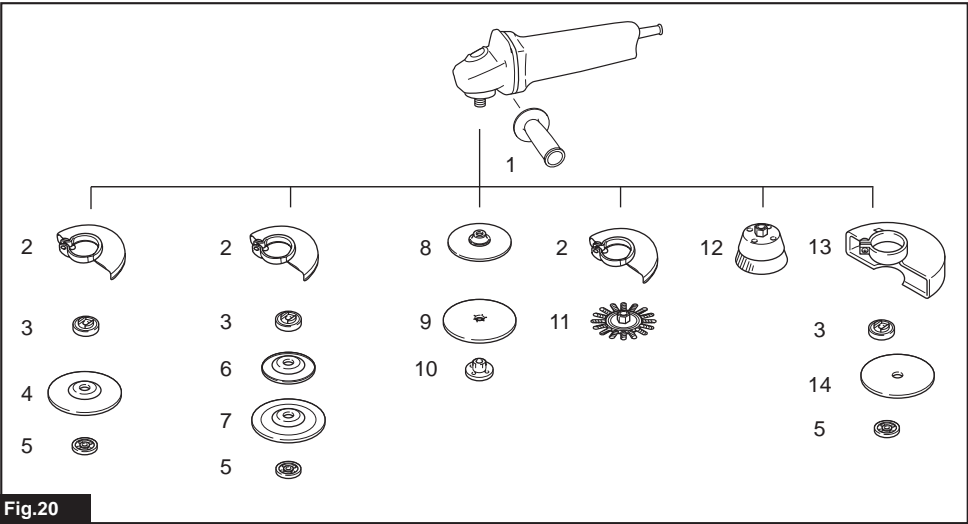


Fig.20

SPECIFICATIONS

Model:	GA4030R	GA4530R	GA5030R
Wheel diameter	100mm (4")	115mm (4-1/2")	125mm (5")
Max. wheel thickness	6.4mm	7.2mm	
Spindle thread	M10	M14 or 5/8" (country specific)	
Rated speed (n)	11,000min ⁻¹		
Overall length	266mm		
Net weight	1.7kg	1.8kg	
Safety class	□/II		

- Due to our continuing program of research and development, the specifications herein are subject to change without notice.
- Specifications may differ from country to country.
- Weight according to EPTA-Procedure 01/2003

Intended use

The tool is intended for grinding, sanding and cutting of metal and stone materials without the use of water.

Power supply

The tool should be connected only to a power supply of the same voltage as indicated on the nameplate, and can only be operated on single-phase AC supply. They are double-insulated and can, therefore, also be used from sockets without earth wire.

Noise

The typical A-weighted noise level determined according to EN60745:

Sound pressure level (L_{pA}) : 85 dB(A)

Sound power level (L_{WA}) : 96 dB (A)

Uncertainty (K) : 3 dB(A)

⚠ WARNING: Wear ear protection.

Vibration

The vibration total value (tri-axial vector sum) determined according to EN60745:

Model GA4030R

Work mode: surface grinding

Vibration emission ($a_{h,AG}$) : 7.0 m/s²

Uncertainty (K) : 1.5 m/s²

Work mode: disc sanding

Vibration emission ($a_{h,DS}$) : 2.5 m/s² or less

Uncertainty (K) : 1.5 m/s²

Model GA4530R

Work mode: surface grinding

Vibration emission ($a_{h,AG}$) : 7.5 m/s²

Uncertainty (K) : 1.5 m/s²

Work mode: disc sanding

Vibration emission ($a_{h,DS}$) : 2.5 m/s² or less

Uncertainty (K) : 1.5 m/s²

Model GA5030R

Work mode: surface grinding

Vibration emission ($a_{h,AG}$) : 8.5 m/s²

Uncertainty (K) : 1.5 m/s²

Work mode: disc sanding

Vibration emission ($a_{h,DS}$) : 2.5 m/s² or less

Uncertainty (K) : 1.5 m/s²

NOTE: The declared vibration emission value has been measured in accordance with the standard test method and may be used for comparing one tool with another.

NOTE: The declared vibration emission value may also be used in a preliminary assessment of exposure.

⚠ WARNING: The vibration emission during actual use of the power tool can differ from the declared emission value depending on the ways in which the tool is used.

⚠ WARNING: Be sure to identify safety measures to protect the operator that are based on an estimation of exposure in the actual conditions of use (taking account of all parts of the operating cycle such as the times when the tool is switched off and when it is running idle in addition to the trigger time).

⚠ WARNING: The declared vibration emission value is used for main applications of the power tool. However if the power tool is used for other applications, the vibration emission value may be different.

EC Declaration of Conformity

For European countries only

The EC declaration of conformity is included as Annex A to this instruction manual.

General power tool safety warnings

⚠ WARNING: Read all safety warnings and all instructions. Failure to follow the warnings and instructions may result in electric shock, fire and/or serious injury.

Save all warnings and instructions for future reference.

The term "power tool" in the warnings refers to your mains-operated (corded) power tool or battery-operated (cordless) power tool.

Grinder safety warnings

Safety Warnings Common for Grinding, Sanding, Wire Brushing, or Abrasive Cutting-Off Operations:

1. **This power tool is intended to function as a grinder, sander, wire brush or cut-off tool. Read all safety warnings, instructions, illustrations and specifications provided with this power tool.** Failure to follow all instructions listed below may result in electric shock, fire and/or serious injury.
2. **Operations such as polishing are not recommended to be performed with this power tool.** Operations for which the power tool was not designed may create a hazard and cause personal injury.
3. **Do not use accessories which are not specifically designed and recommended by the tool manufacturer.** Just because the accessory can be attached to your power tool, it does not assure safe operation.
4. **The rated speed of the accessory must be at least equal to the maximum speed marked on the power tool.** Accessories running faster than their rated speed can break and fly apart.
5. **The outside diameter and the thickness of your accessory must be within the capacity rating of your power tool.** Incorrectly sized accessories cannot be adequately guarded or controlled.
6. **Threaded mounting of accessories must match the grinder spindle thread. For accessories mounted by flanges, the arbour hole of the accessory must fit the locating diameter of the flange.** Accessories that do not match the mounting hardware of the power tool will run out of balance, vibrate excessively and may cause loss of control.
7. **Do not use a damaged accessory. Before each use inspect the accessory such as abrasive wheels for chips and cracks, backing pad for cracks, tear or excess wear, wire brush for loose or cracked wires. If power tool or accessory is dropped, inspect for damage or install an undamaged accessory. After inspecting and installing an accessory, position yourself and bystanders away from the plane of the rotating accessory and run the power tool at maximum no-load speed for one minute.** Damaged accessories will normally break apart during this test time.

8. **Wear personal protective equipment.** Depending on application, use face shield, safety goggles or safety glasses. As appropriate, wear dust mask, hearing protectors, gloves and workshop apron capable of stopping small abrasive or workpiece fragments. The eye protection must be capable of stopping flying debris generated by various operations. The dust mask or respirator must be capable of filtering particles generated by your operation. Prolonged exposure to high intensity noise may cause hearing loss.
9. **Keep bystanders a safe distance away from work area. Anyone entering the work area must wear personal protective equipment.** Fragments of workpiece or of a broken accessory may fly away and cause injury beyond immediate area of operation.
10. **Hold the power tool by insulated gripping surfaces only, when performing an operation where the cutting accessory may contact hidden wiring or its own cord.** Cutting accessory contacting a "live" wire may make exposed metal parts of the power tool "live" and could give the operator an electric shock.
11. **Position the cord clear of the spinning accessory.** If you lose control, the cord may be cut or snagged and your hand or arm may be pulled into the spinning accessory.
12. **Never lay the power tool down until the accessory has come to a complete stop.** The spinning accessory may grab the surface and pull the power tool out of your control.
13. **Do not run the power tool while carrying it at your side.** Accidental contact with the spinning accessory could snag your clothing, pulling the accessory into your body.
14. **Regularly clean the power tool's air vents.** The motor's fan will draw the dust inside the housing and excessive accumulation of powdered metal may cause electrical hazards.
15. **Do not operate the power tool near flammable materials.** Sparks could ignite these materials.
16. **Do not use accessories that require liquid coolants.** Using water or other liquid coolants may result in electrocution or shock.

Kickback and Related Warnings

Kickback is a sudden reaction to a pinched or snagged rotating wheel, backing pad, brush or any other accessory. Pinching or snagging causes rapid stalling of the rotating accessory which in turn causes the uncontrolled power tool to be forced in the direction opposite of the accessory's rotation at the point of the binding. For example, if an abrasive wheel is snagged or pinched by the workpiece, the edge of the wheel that is entering into the pinch point can dig into the surface of the material causing the wheel to climb out or kick out. The wheel may either jump toward or away from the operator, depending on direction of the wheel's movement at the point of pinching. Abrasive wheels may also break under these conditions.

Kickback is the result of power tool misuse and/or incorrect operating procedures or conditions and can be avoided by taking proper precautions as given below.

1. **Maintain a firm grip on the power tool and position your body and arm to allow you to resist kickback forces. Always use auxiliary handle, if provided, for maximum control over kickback or torque reaction during start-up.**
The operator can control torque reactions or kickback forces, if proper precautions are taken.
2. **Never place your hand near the rotating accessory.** Accessory may kickback over your hand.
3. **Do not position your body in the area where power tool will move if kickback occurs.**
Kickback will propel the tool in direction opposite to the wheel's movement at the point of snagging.
4. **Use special care when working corners, sharp edges etc. Avoid bouncing and snagging the accessory.** Corners, sharp edges or bouncing have a tendency to snag the rotating accessory and cause loss of control or kickback.
5. **Do not attach a saw chain woodcarving blade or toothed saw blade.** Such blades create frequent kickback and loss of control.

Safety Warnings Specific for Grinding and Abrasive Cutting-Off Operations:

1. **Use only wheel types that are recommended for your power tool and the specific guard designed for the selected wheel.** Wheels for which the power tool was not designed cannot be adequately guarded and are unsafe.
2. **The grinding surface of centre depressed wheels must be mounted below the plane of the guard lip.** An improperly mounted wheel that projects through the plane of the guard lip cannot be adequately protected.
3. **The guard must be securely attached to the power tool and positioned for maximum safety, so the least amount of wheel is exposed towards the operator.** The guard helps to protect the operator from broken wheel fragments, accidental contact with wheel and sparks that could ignite clothing.
4. **Wheels must be used only for recommended applications. For example: do not grind with the side of cut-off wheel.** Abrasive cut-off wheels are intended for peripheral grinding, side forces applied to these wheels may cause them to shatter.
5. **Always use undamaged wheel flanges that are of correct size and shape for your selected wheel.** Proper wheel flanges support the wheel thus reducing the possibility of wheel breakage. Flanges for cut-off wheels may be different from grinding wheel flanges.
6. **Do not use worn down wheels from larger power tools.** Wheel intended for larger power tool is not suitable for the higher speed of a smaller tool and may burst.

Additional Safety Warnings Specific for Abrasive Cutting-Off Operations:

1. **Do not "jam" the cut-off wheel or apply excessive pressure. Do not attempt to make an excessive depth of cut.** Overstressing the wheel increases the loading and susceptibility to twisting or binding of the wheel in the cut and the possibility of kickback or wheel breakage.

2. **Do not position your body in line with and behind the rotating wheel.** When the wheel, at the point of operation, is moving away from your body, the possible kickback may propel the spinning wheel and the power tool directly at you.
3. **When wheel is binding or when interrupting a cut for any reason, switch off the power tool and hold the power tool motionless until the wheel comes to a complete stop. Never attempt to remove the cut-off wheel from the cut while the wheel is in motion otherwise kickback may occur.** Investigate and take corrective action to eliminate the cause of wheel binding.
4. **Do not restart the cutting operation in the workpiece. Let the wheel reach full speed and carefully re-enter the cut.** The wheel may bind, walk up or kickback if the power tool is restarted in the workpiece.
5. **Support panels or any oversized workpiece to minimize the risk of wheel pinching and kickback.** Large workpieces tend to sag under their own weight. Supports must be placed under the workpiece near the line of cut and near the edge of the workpiece on both sides of the wheel.
6. **Use extra caution when making a "pocket cut" into existing walls or other blind areas.** The protruding wheel may cut gas or water pipes, electrical wiring or objects that can cause kickback.

Safety Warnings Specific for Sanding Operations:

1. **Do not use excessively oversized sanding disc paper. Follow manufacturers recommendations, when selecting sanding paper.** Larger sanding paper extending beyond the sanding pad presents a laceration hazard and may cause snagging, tearing of the disc or kickback.

Safety Warnings Specific for Wire Brushing Operations:

1. **Be aware that wire bristles are thrown by the brush even during ordinary operation. Do not overstress the wires by applying excessive load to the brush.** The wire bristles can easily penetrate light clothing and/or skin.
2. **If the use of a guard is recommended for wire brushing, do not allow any interference of the wire wheel or brush with the guard.** Wire wheel or brush may expand in diameter due to work load and centrifugal forces.

Additional Safety Warnings:

1. **When using depressed centre grinding wheels, be sure to use only fiberglass-reinforced wheels.**
2. **NEVER USE Stone Cup type wheels with this grinder.** This grinder is not designed for these types of wheels and the use of such a product may result in serious personal injury.
3. **Be careful not to damage the spindle, the flange (especially the installing surface) or the lock nut.** Damage to these parts could result in wheel breakage.
4. **Make sure the wheel is not contacting the workpiece before the switch is turned on.**
5. **Before using the tool on an actual workpiece, let it run for a while. Watch for vibration or wobbling that could indicate poor installation or a poorly balanced wheel.**

6. Use the specified surface of the wheel to perform the grinding.
7. Do not leave the tool running. Operate the tool only when hand-held.
8. Do not touch the workpiece immediately after operation; it may be extremely hot and could burn your skin.
9. Observe the instructions of the manufacturer for correct mounting and use of wheels. Handle and store wheels with care.
10. Do not use separate reducing bushings or adaptors to adapt large hole abrasive wheels.
11. Use only flanges specified for this tool.
12. For tools intended to be fitted with threaded hole wheel, ensure that the thread in the wheel is long enough to accept the spindle length.
13. Check that the workpiece is properly supported.
14. Pay attention that the wheel continues to rotate after the tool is switched off.
15. If working place is extremely hot and humid, or badly polluted by conductive dust, use a short-circuit breaker (30 mA) to assure operator safety.
16. Do not use the tool on any materials containing asbestos.
17. When use cut-off wheel, always work with the dust collecting wheel guard required by domestic regulation.
18. Cutting discs must not be subjected to any lateral pressure.
19. Do not use cloth work gloves during operation. Fibers from cloth gloves may enter the tool, which causes tool breakage.

SAVE THESE INSTRUCTIONS.

⚠ WARNING: DO NOT let comfort or familiarity with product (gained from repeated use) replace strict adherence to safety rules for the subject product. MISUSE or failure to follow the safety rules stated in this instruction manual may cause serious personal injury.

FUNCTIONAL DESCRIPTION

⚠ CAUTION: Always be sure that the tool is switched off and unplugged before adjusting or checking function on the tool.

Shaft lock

Press the shaft lock to prevent spindle rotation when installing or removing accessories.

► Fig.1: 1. Shaft lock

NOTICE: Never actuate the shaft lock when the spindle is moving. The tool may be damaged.

Switch action

⚠ CAUTION: Before plugging in the tool, always check to see that the slide switch actuates properly and returns to the "OFF" position when the rear of the slide switch is depressed.

⚠ CAUTION: Switch can be locked in "ON" position for ease of operator comfort during extended use. Apply caution when locking tool in "ON" position and maintain firm grasp on tool.

To start the tool, slide the slide switch toward the "I (ON)" position by pushing the rear of the slide switch. For continuous operation, press the front of the slide switch to lock it.

To stop the tool, press the rear of the slide switch, then slide it toward the "O (OFF)" position.

► Fig.2: 1. Slide switch

Unintentional restart proof

The tool does not start with the switch being lock-on even when the tool is plugged.

To cancel the unintentional restart proof, return the power switch to OFF position.

NOTE: Wait more than one second before restarting the tool when unintentional restart proof functions.

NOTE: When the tool is overloaded and the tool temperature reaches a certain level, the tool may automatically stop. In this situation, let the cool before turning on the tool again.

Soft start feature

Soft start feature reduces starting reaction.

ASSEMBLY

⚠ CAUTION: Always be sure that the tool is switched off and unplugged before carrying out any work on the tool.

Installing side grip (handle)

⚠ CAUTION: Always be sure that the side grip is installed securely before operation.

Screw the side grip securely on the position of the tool as shown in the figure.

► Fig.3

Installing or removing wheel guard (For depressed center wheel, flap disc, flex wheel, wire wheel brush / abrasive cut-off wheel, diamond wheel)

⚠ WARNING: When using a depressed center wheel, flap disc, flex wheel or wire wheel brush, the wheel guard must be fitted on the tool so that the closed side of the guard always points toward the operator.

⚠ WARNING: When using an abrasive cut-off / diamond wheel, be sure to use only the special wheel guard designed for use with cut-off wheels.

(In some European countries, when using a diamond wheel, the ordinary guard can be used. Follow the regulations in your country.)

For tool with locking screw type wheel guard

Mount the wheel guard with the protrusions on the wheel guard band aligned with the notches on the bearing box. Then rotate the wheel guard to such an angle that it can protect the operator according to work. Be sure to tighten the screw securely.

To remove wheel guard, follow the installation procedure in reverse.

► Fig.4: 1. Wheel guard 2. Bearing box 3. Screw

For tool with clamp lever type wheel guard

Loosen the screw, and then pull the lever in the direction of the arrow. Mount the wheel guard with the protrusions on the wheel guard band aligned with the notches on the bearing box. Then rotate the wheel guard to such an angle that it can protect the operator according to work.

► Fig.5: 1. Wheel guard 2. Bearing box 3. Screw
4. Lever

Pull the lever in direction of the arrow. Then tighten the wheel guard with fastening the screw. Be sure to tighten the screw securely. The setting angle of the wheel guard can be adjusted with the lever.

► Fig.6: 1. Screw 2. Lever

To remove wheel guard, follow the installation procedure in reverse.

Installing or removing depressed center wheel or flap disc

Optional accessory

⚠ WARNING: When using a depressed center wheel or flap disc, the wheel guard must be fitted on the tool so that the closed side of the guard always points toward the operator.

⚠ CAUTION: Make sure that the mounting part of the inner flange fits into the inner diameter of the depressed center wheel / flap disc perfectly. Mounting the inner flange on the wrong side may result in the dangerous vibration.

Mount the inner flange onto the spindle. Make sure to fit the dented part of the inner flange onto the straight part at the bottom of the spindle.

Fit the depressed center wheel / flap disc on the inner flange and screw the lock nut onto the spindle.

► Fig.7: 1. Lock nut 2. Depressed center wheel
3. Inner flange 4. Mounting part

To tighten the lock nut, press the shaft lock firmly so that the spindle cannot revolve, then use the lock nut wrench and securely tighten clockwise.

► Fig.8: 1. Lock nut wrench 2. Shaft lock

To remove the wheel, follow the installation procedure in reverse.

Super flange

Optional accessory

Only for tools with M14 spindle thread.

Models with the letter F are standard-equipped with Super flange. Only 1/3 of efforts needed to undo lock nut, compared with conventional type.

Installing or removing flex wheel

Optional accessory

⚠ WARNING: Always use supplied guard when flex wheel is on tool. Wheel can shatter during use and guard helps to reduce chances of personal injury.

► Fig.9: 1. Lock nut 2. Flex wheel 3. Back up pad
4. Inner flange

Follow instructions for depressed center wheel but also use back up pad over wheel. See order of assembly on accessories page in this manual.

Installing or removing abrasive disc

Optional accessory

► Fig.10: 1. Sanding lock nut 2. Abrasive disc
3. Rubber pad

1. Mount the rubber pad onto the spindle.
2. Fit the disc on the rubber pad and screw the sanding lock nut onto the spindle.
3. Hold the spindle with the shaft lock, and securely tighten the sanding lock nut clockwise with the lock nut wrench.

To remove the disc, follow the installation procedure in reverse.

NOTE: Use sander accessories specified in this manual. These must be purchased separately.

OPERATION

⚠ WARNING: It should never be necessary to force the tool. The weight of the tool applies adequate pressure. Forcing and excessive pressure could cause dangerous wheel breakage.

⚠ WARNING: ALWAYS replace wheel if tool is dropped while grinding.

⚠ WARNING: NEVER bang or hit grinding disc or wheel onto work.

⚠ WARNING: Avoid bouncing and snagging the wheel, especially when working corners, sharp edges etc. This can cause loss of control and kickback.

⚠ WARNING: NEVER use tool with wood cutting blades and other saw blades. Such blades when used on a grinder frequently kick and cause loss of control leading to personal injury.

⚠ CAUTION: Never switch on the tool when it is in contact with the workpiece, it may cause an injury to operator.

⚠ CAUTION: Always wear safety goggles or a face shield during operation.

⚠ CAUTION: After operation, always switch off the tool and wait until the wheel has come to a complete stop before putting the tool down.

⚠ CAUTION: ALWAYS hold the tool firmly with one hand on housing and the other on the side grip (handle).

Grinding and sanding operation

► Fig.11

Turn the tool on and then apply the wheel or disc to the workpiece.

In general, keep the edge of the wheel or disc at an angle of about 15° to the workpiece surface. During the break-in period with a new wheel, do not work the grinder in forward direction or it may cut into the workpiece. Once the edge of the wheel has been rounded off by use, the wheel may be worked in both forward and backward direction.

Operation with abrasive cut-off / diamond wheel

Optional accessory

⚠ WARNING: When using an abrasive cut-off / diamond wheel, be sure to use only the special wheel guard designed for use with cut-off wheels.

(In some European countries, when using a diamond wheel, the ordinary guard can be used. Follow the regulations in your country.)

⚠ WARNING: NEVER use cut-off wheel for side grinding.

⚠ WARNING: Do not "jam" the wheel or apply excessive pressure. Do not attempt to make an excessive depth of cut. Overstressing the wheel increases the loading and susceptibility to twisting or binding of the wheel in the cut and the possibility of kickback, wheel breakage and overheating of the motor may occur.

⚠ WARNING: Do not start the cutting operation in the workpiece. Let the wheel reach full speed and carefully enter into the cut moving the tool forward over the workpiece surface. The wheel may bind, walk up or kickback if the power tool is started in the workpiece.

⚠ WARNING: During cutting operations, never change the angle of the wheel. Placing side pressure on the cut-off wheel (as in grinding) will cause the wheel to crack and break, causing serious personal injury.

⚠ WARNING: A diamond wheel shall be operated perpendicular to the material being cut.

► Fig.12: 1. Lock nut 2. Abrasive cut-off wheel / diamond wheel 3. Inner flange 4. Wheel guard for abrasive cut-off wheel / diamond wheel

As for the installation, follow the instructions for depressed center wheel.

The direction for mounting the lock nut and the inner flange varies by wheel type and thickness. Refer to the following figures.

For 100 mm (4") model

When installing the abrasive cut-off wheel:

► Fig.13: 1. Lock nut 2. Abrasive cut-off wheel (Thinner than 4mm (5/32")) 3. Abrasive cut-off wheel (4mm (5/32") or thicker) 4. Inner flange

When installing the diamond wheel:

► Fig.14: 1. Lock nut 2. Diamond wheel (Thinner than 4mm (5/32")) 3. Diamond wheel (4mm (5/32") or thicker) 4. Inner flange

For 115 mm (4 - 1/2") / 125 mm (5") model

When installing the abrasive cut-off wheel:

► Fig.15: 1. Lock nut 2. Abrasive cut-off wheel (Thinner than 4mm (5/32")) 3. Abrasive cut-off wheel (4mm (5/32") or thicker) 4. Inner flange

When installing the diamond wheel:

- **Fig.16:** 1. Lock nut 2. Diamond wheel (Thinner than 4mm (5/32")) 3. Diamond wheel (4mm (5/32") or thicker) 4. Inner flange

Operation with wire cup brush

Optional accessory

⚠ CAUTION: Check operation of brush by running tool with no load, insuring that no one is in front of or in line with brush.

⚠ CAUTION: Do not use brush that is damaged, or which is out of balance. Use of damaged brush could increase potential for injury from contact with broken brush wires.

- **Fig.17:** 1. Wire cup brush

Unplug tool and place it upside down allowing easy access to spindle.

Remove any accessories on spindle. Thread wire cup brush onto spindle and tighten with supplied wrench.

NOTICE: Avoid applying too much pressure which causes over bending of wires when using brush. It may lead to premature breakage.

Operation with wire wheel brush

Optional accessory

⚠ CAUTION: Check operation of wire wheel brush by running tool with no load, insuring that no one is in front of or in line with the wire wheel brush.

⚠ CAUTION: Do not use wire wheel brush that is damaged, or which is out of balance. Use of damaged wire wheel brush could increase potential for injury from contact with broken wires.

⚠ CAUTION: ALWAYS use guard with wire wheel brushes, assuring diameter of wheel fits inside guard. Wheel can shatter during use and guard helps to reduce chances of personal injury.

- **Fig.18:** 1. Wire wheel brush

Unplug tool and place it upside down allowing easy access to spindle.

Remove any accessories on spindle. Thread wire wheel brush onto spindle and tighten with the wrenches.

NOTICE: Avoid applying too much pressure which causes over bending of wires when using wire wheel brush. It may lead to premature breakage.

MAINTENANCE

⚠ CAUTION: Always be sure that the tool is switched off and unplugged before attempting to perform inspection or maintenance.

NOTICE: Never use gasoline, benzine, thinner, alcohol or the like. Discoloration, deformation or cracks may result.

Air vent cleaning

The tool and its air vents have to be kept clean. Regularly clean the tool's air vents or whenever the vents start to become obstructed.

- **Fig.19:** 1. Exhaust vent 2. Inhalation vent

To maintain product SAFETY and RELIABILITY, repairs, any other maintenance or adjustment should be performed by Makita Authorized or Factory Service Centers, always using Makita replacement parts.

OPTIONAL ACCESSORIES

⚠ CAUTION: These accessories or attachments are recommended for use with your Makita tool specified in this manual. The use of any other accessories or attachments might present a risk of injury to persons. Only use accessory or attachment for its stated purpose.

If you need any assistance for more details regarding these accessories, ask your local Makita Service Center.

► Fig.20

-	100 mm (4") model	115 mm (4-1/2") model	125 mm (5") model
1	Grip 36		
2	Wheel Guard (for grinding wheel)		
3	Inner flange	Inner flange / Super flange	
4	Depressed center wheel / Flap disc		
5	Lock nut		
6	Back up pad		
7	Flex wheel		
8	Rubber pad 76	Rubber pad 100	Rubber pad 115
9	Abrasive disc		
10	Sanding lock nut		
11	Wire wheel brush		
12	Wire cup brush		
13	Wheel Guard (for cut-off wheel) *1		
14	Abrasive cut-off wheel / Diamond wheel		
-	Lock nut wrench		

NOTE: *1 In some European countries, when using a diamond wheel, the ordinary guard can be used instead of the special guard covering the both side of the wheel. Follow the regulations in your country.

NOTE: Some items in the list may be included in the tool package as standard accessories. They may differ from country to country.

TEHNIČNI PODATKI

Model:	GA4030R	GA4530R	GA5030R
Premer rezalne plošče	100 mm (4")	115 mm (4-1/2")	125 mm (5")
Največja debelina plošče	6,4 mm	7,2 mm	
Navoj vretena	M10	M14 ali 5/8" (odvisno od države)	
Nazivna hitrost (n)	11.000 min ⁻¹		
Celotna dolžina	266 mm		
Neto teža	1,7 kg	1,8 kg	
Razred zaščite	□/II		

- Ker nenehno opravljamo raziskave in razvijamo svoje izdelke, se lahko tehnični podatki v tem dokumentu spremenijo brez obvestila.
- Tehnični podatki se lahko razlikujejo od države do države.
- Teža v skladu s postopkom EPTA 01/2003

Predvidena uporaba

Stroj je namenjen za brušenje, glajenje in rezanje kovine in kamna brez uporabe vode.

Priključitev na električno omrežje

Napetost električnega omrežja se mora ujemati s podatki na tipski ploščici. Stroj deluje samo z enofazno izmenično napetostjo. Stroj je po evropskih smernicah dvojno zaščitno izoliran, zato se ga lahko priključi tudi v vtičnice brez ozemljitvenega voda.

Hrup

Običajna A-ovrednotena raven hrupa v skladu z EN60745:

Raven zvočnega tlaka (L_{pA}): 85 dB (A)

Raven zvočne moči (L_{WA}): 96 dB (A)

Odstopanje (K): 3 dB (A)

⚠ OPOZORILO: Uporabljajte zaščito za sluh.

Vibracije

Skupne vrednosti vibracij (vektorska vsota treh osi) v skladu z EN60745:

Model GA4030R

Delovni način: brušenje površine

Oddajanje tresljajev ($a_{h,AG}$): 7,0 m/s²

Odstopanje (K): 1,5 m/s²

Delovni način: brušenje s ploščo

Oddajanje tresljajev ($a_{h,DS}$): 2,5 m/s² ali manj

Odstopanje (K): 1,5 m/s²

Model GA4530R

Delovni način: brušenje površine

Oddajanje tresljajev ($a_{h,AG}$): 7,5 m/s²

Odstopanje (K): 1,5 m/s²

Delovni način: brušenje s ploščo

Oddajanje tresljajev ($a_{h,DS}$): 2,5 m/s² ali manj

Odstopanje (K): 1,5 m/s²

Model GA5030R

Delovni način: brušenje površine

Oddajanje tresljajev ($a_{h,AG}$): 8,5 m/s²

Odstopanje (K): 1,5 m/s²

Delovni način: brušenje s ploščo

Oddajanje tresljajev ($a_{h,DS}$): 2,5 m/s² ali manj

Odstopanje (K): 1,5 m/s²

OPOMBA: Navedena vrednost oddajanja vibracij je bila izmerjena v skladu s standardnimi metodami testiranja in se lahko uporablja za primerjavo orodij.

OPOMBA: Navedena vrednost oddajanja vibracij se lahko uporablja tudi pri predhodni oceni izpostavljenosti.

⚠ OPOZORILO: Oddajanje vibracij med dejansko uporabo električnega orodja se lahko razlikuje od navedene vrednosti oddajanja, odvisno od načina uporabe orodja.

⚠ OPOZORILO: Upravljevalec mora za lastno zaščito poznati varnostne ukrepe, ki temeljijo na oceni izpostavljenosti v dejanskih pogojih uporabe (poleg časa proženja je treba upoštevati celoten delovni cikel, vključno s časom, ko je orodje izklopljeno, in časom, ko deluje v prostem teku).

⚠ OPOZORILO: Navedena vrednost oddajanja vibracij se uporablja za glavno uporabo električnega orodja. Vendar če električno orodje uporabljate za druge namene, se lahko vrednosti oddajanja vibracij razlikujejo.

Izjava o skladnosti ES

Samo za evropske države

Izjava ES o skladnosti je vključena v dodatku A, ki je priložen tem navodilom za uporabo.

Splošna varnostna opozorila za električno orodje

⚠ OPOZORILO: Preberite vsa varnostna opozorila in navodila. Neupoštevanje opozoril in navodil lahko privede do električnega udara, požara in/ali resnih telesnih poškodb.

Shranite vsa opozorila in navodila za poznejšo uporabo.

Izraz „električno orodje“ v opozorilih se nanaša na vaše električno orodje (s kablom) ali baterijsko električno orodje (brez kabla).

Varnostna opozorila pri uporabi brusilnika

Varnostna opozorila za brušenje, glajenje, žično ščetkanje ali rezanje:

- 1. Kotni brusilnik je namenjen za brušenje, glajenje, žično ščetkanje ali rezanje. Preberite vsa varnostna opozorila in navodila s slikami in tehničnimi podatki, ki so dobavljeni skupaj z električnim orodjem.** Ob neupoštevanju spodaj navedenih navodil obstaja nevarnost električnega udara, požara in/ali hudih telesnih poškodb.
- 2. Kotni brusilnik ni primeren za poliranje.** Izvajanje opravil, za katere električno orodje ni bilo zasnovano, je nevarno in lahko povzroči hude telesne poškodbe.
- 3. Uporabljajte le nastavke, ki jih je posebej za to orodje zasnoval oz. jih priporoča proizvajalec.** Če je nastavek mogoče pritrditi na električno orodje, to še ne pomeni, da je uporaba tega nastavka varna.
- 4. Nazivno število vrtljajev nastavka mora ustrezati vsaj največjemu številu vrtljajev, ki je označeno na električnem orodju.** Nastavek, ki se vrti hitreje od nazivnega števila vrtljajev, se lahko zlomi in razletí.
- 5. Zunanji premer in debelina nastavka morata ustrezati nazivni moči električnega orodja.** Nastavka neustrezne velikosti ni mogoče pravilno zavarovati s ščitniki ali ga povsem nadzorovati.
- 6. Pritrditev nastavkov z navoji se mora prilegati navojem vretena brusilnika.** Pri nastavkih, nameščenih s prirobnicami, se morajo osne luknje nastavkov natančno prilegati premeru prirobnice. Nastavkov, ki se ne ujemajo, ni mogoče ustrezno namestiti na električno orodje, kar lahko povzroči neuravnoteženost, čezmerno vibriranje in izgubo nadzora.
- 7. Ne uporabljajte poškodovanih nastavkov. Pred vsako uporabo preverite nastavke (npr. plošče), če se morda niso odkrušile, če brusilni krožniki niso počeni, pretrgani ali čezmerno obrabljeni ali če so na žičnih ščetkah ohlapne ali počene žice.** Če pade električno orodje ali nastavek na tla, preverite, če so nastale poškodbe, in po potrebi namestite nepoškodovani nastavek. Po pregledu in namestitvi nastavka se postavite izven ravnine vrtenja nastavka in opozorite osebe v vaši

bližini, naj se oddaljijo, ter vključite orodje in ga pustite teči eno minuto brez obremenitve. Med tem preizkusom poškodovani nastavki običajno počijo.

- 8. Uporabljajte osebna zaščitna sredstva. Odvisno od dela, ki ga opravljate, uporabljajte zaščitno masko za obraz in oči ali zaščitna očala. Če je potrebno, uporabljajte zaščitno masko proti prahu, glušnike, rokavice ali predpasnik za zaščito pred drobcí materiala.** Zaščitna za oči mora zadržati leteče drobce, ki so prisotni pri različnih načinih dela. Protiprašna maska ali maska za zaščito dihal mora zadržati prah, ki nastaja med delom. Izpostavljanje hrupu lahko povzroči izgubo sluha.
- 9. Pri delu poskrbite, da bodo druge osebe varno oddaljene od delovnega območja. V delovno območje lahko vstopajo samo osebe z ustrežno osebno zaščitno opremo.** Leteči drobci materiala obdelovanca ali počenega nastavka so nevarni in lahko povzročijo poškodbe tudi izven delovnega območja.
- 10. Če obstaja nevarnost, da bi z rezalnim orodjem prerezali skrito električno napeljavo ali lasten kabel, držite električno orodje samo na izoliranih držalnih površinah.** Ob stiku z vodniki pod napetostjo dobijo napetost vsi neizolirani kovinski deli električnega orodja, zaradi česar lahko uporabnik utрпи električni udar.
- 11. Pazite, da z vrtečimi se deli orodja ne poškodujete električnega kabla.** V primeru izgube nadzora nad električnim orodjem se lahko kabel prereže ali zatakne, dlan ali roko pa vam lahko potegne v vrteči se nastavek.
- 12. Ne odlagajte električnega orodja iz rok, dokler se nameščen nastavek ne neha vrteti.** Nastavek, ki se še vedno vrti, lahko pride v stik z odlagalno površino in povzroči izgubo nadzora nad električnim orodjem.
- 13. Ne puščajte električnega orodja vključenega brez nadzora.** Vrteči se nastavek se lahko nepričakovano zaplete v vašo obleko in vas poškoduje.
- 14. Redno čistite hladilne reže električnega orodja.** Ventilator motorja vsesava v ohišje prah, ki povzroča škodljivo kopičenje prahu in s tem nevarnost električne okvare.
- 15. Ne uporabljajte električnega orodja v bližini gorljivih snovi.** Gorljive snovi se lahko vnamejo zaradi iskenja.
- 16. Ne uporabljajte nastavkov, ki so predvideni za uporabo s tekočim hladilnim sredstvom.** Uporaba vode ali drugih tekočin za hlajenje lahko povzroči električni udar.

Opozorila v zvezi s povratnim udarcem

Povratni udarec je nenadna reakcija, če se stisne ali zagodi vrteča se plošča, brusilni krožnik, ščetka ali drug nastavek. Blokada ali zagodenje namreč povzroči hitro zaustavitev vrtečih se delov orodja, pri čemer električno orodje sune v obratno smer od smeri gibanja vrtečih se delov.

Če pride na primer do blokade abrazivne plošče v obdelovancu, lahko rob v točki zagozdenja zareže v površino, pri tem pa nastala sila rezalno ploščo odbije od materiala. Rezalna plošča lahko odskoči bodisi proti vam ali v nasprotni smeri, kar je odvisno od smeri vodenja rezalne plošče v točki zagozdenja. Abrazivna plošča se lahko pod temi pogoji tudi zlomi.

Povratni udarec je posledica nestrokovnega ravnanja z električnim orodjem ali neugodnih okoliščin. Preprečite ga lahko z upoštevanjem spodaj navedenih opozoril.

- 1. Električno orodje držite s trdnim prijemom in se postavite v takšen položaj, da lahko prestežete sile povratnega udarca. Če je na električno orodje mogoče namestiti dodatni ročaj, ga tudi uporabljajte, saj vam omogoča najboljši nadzor nad povratnimi udarci ali reakcijskim vrtilnim momentom.** Reakcijske vrtilne momente ali povratne udarce je mogoče učinkovito preprečiti z upoštevanjem previdnostnih ukrepov.
- 2. Ne približujte rok vrtečim se delom električnega orodja.** Nameščeni nastavek lahko udari nazaj prek vaše roke.
- 3. S telesom se postavite stran od smeri, v katero orodje lahko skoči v primeru, da pride do povratnega udarca.** Povratni udarec sunkovito potisne orodje v nasprotni smeri vrtenja rezalne plošče v točki zagozdenja.
- 4. Pri obdelavi vogalov, ostrih robov ipd. je potrebna večja previdnost. Izogibajte se položajem, v katerih lahko orodje odskoči iz obdelovanca ali se zagozdi.** V vogalih in na ostrih robovih obstaja povečana nevarnost povratnega sunka ali zagozdenja nastavka. Posledica tega je lahko izguba nadzora ali povratni udarec.
- 5. Ne uporabljajte verižnih ali nazobčanih žaginih listov.** Tovrstna orodja pogosto povzročijo povratni udarec ali izgubo nadzora nad električnim orodjem.

Varnostna opozorila pri izvajanju brušenja in rezanja:

- 1. Uporabljajte samo plošče, ki jih za vaše orodje in ščitnik posebej priporoča proizvajalec.** Plošče, ki niso posebej namenjene za delo z vašim orodjem, ni možno ustrezno namestiti, zato je njihova uporaba lahko nevarna.
- 2. Površino za brušenje plošč z ugreznjenim centrom je treba namestiti pod ploskvijo ščitnika.** Nepravilno nameščene plošče, ki gleda prek ravnine ščitnika, ni mogoče zadostno zaščititi.
- 3. Za zagotavljanje maksimalne varnosti pri delu mora biti ščitnik rezila pravilno nameščen in tako ustrezno zakrivati kar največ plošče na delu, obrnjenem proti uporabniku.** Ščitnik varuje uporabnika pred izmetom odlomljenih delcev in stikom s ploščo ter iskrenja, ki lahko povzroči vžig oblačil.
- 4. Rezalne plošče se lahko uporabljajo le za priporočene naprave. Primer: ne uporabljajte jih za brušenje s stransko ploskvijo.** Namenjene so brušenju z robom rezila. Pri izvajanju bočne sile na rezalno ploščo lahko ta poči.
- 5. Uporabljajte samo nepoškodovane prirobnice plošč, ki po dimenziji in obliki ustrezajo uporabljeni plošči.** Ustrezne prirobnice podpirajo ploščo in zmanjšujejo nevarnost zloma plošče. Prirobnice za rezalne plošče se lahko razlikujejo od prirobnic plošč.

- 6. Ne uporabljajte izrabljenih rezalnih plošč, ki ste jih predhodno uporabljali na večjih električnih orodjih.** Plošče večjih električnih orodij niso primerne za višje število obratov na manjših orodjih in lahko zato počijo.

Dodatna varnostna opozorila pri izvajanju brušenja in rezaja:

- 1. Rezanje plošče ne „blokirate“ ali preobremenjujte. Ne skušajte narediti preglobokih rezov.** Preobremenjevanje plošče povečuje možnost zvižanja ali zagozdenja plošče v obdelovancu ter s tem možnost povratnega udarca ali zloma plošče.
- 2. Ne postavljajte se v položaje, v katerih ste v primeru povratnega udarca lahko izpostavljeni toku električnega orodja.** Ko se plošča med delovanjem premika stran od vašega telesa, lahko eventualni povratni udarec potisne vrtečo se ploščo in električno orodje neposredno v upravljalca.
- 3. Če je rezalna plošča ovirana ali če iz katerega koli razloga rezanje prekinete, držite električno orodje pri miru, dokler se rezalna plošča popolnoma ne ustavi. Nikoli ne skušajte odstraniti rezalne plošče iz obdelovanca, dokler se plošča še vrti.** Preverite in odpravite vzrok oviranja rezalne plošče.
- 4. Rezanja ne začnite ponovno v obdelovancu. Najprej počakajte, da plošča doseže polno hitrost, nato pa pazljivo začnite ponovno rezati.** Če začnete z rezanjem v obdelovancu, se lahko rezalna plošča zagozdi, lahko pa pride tudi do povratnega udarca.
- 5. Pod plošče in velike obdelovance postavite podporo, da zmanjšate možnost zagozdenja rezalne plošče ali povratnega udarca.** Veliki obdelovanci se lahko zaradi lastne teže povesimo. Pod obdelovance je treba poleg linije reza in poleg roba obdelovanca na obeh straneh plošče postaviti podporo.
- 6. Bodite še posebej pozorni, ko v obstoječe zidove ali druge slepe točke izvajate „slepe reze“.** Rezalna plošča lahko zadene v plinske, vodovodne ali električne napeljave ali predmete, ki lahko povzročijo povratni udarec.

Varnostna opozorila za brušenje:

- 1. Ne uporabljajte prevelikega brusnega papirja. Pri izbiri brusnega papirja upoštevajte priporočila proizvajalca.** Večji brusni papir, ki sega prek brusilne blazinice, predstavlja nevarnost pretrga in lahko povzroči zagozditev, trganje ali povratni udarec rezalne plošče.

Varnostna opozorila za žično ščetkanje:

- 1. Žice ščetke lahko med delovanjem odpadajo. Ne izvajajte čezmernega pritiska na žice, da jih ne preobremenite.** Žice ščetke enostavno prodrejo v lahka oblačila in/ali kožo.
- 2. Če je za žično ščetkanje priporočena uporaba ščitnika zagotovite, da se žična plošča ali ščetka ne dotika ščitnika.** Zaradi obremenitev in centrifugalnih sil se lahko poveča premer žične plošče ali ščetke.

Dodatna varnostna opozorila:

- 1. Pri uporabi brusilne plošče z ugreznjenim centrom vedno uporabljajte samo posebej ojačene plošče s steklenimi vlakni.**

2. S tem brusilnikom NIKOLI NE UPORABLJAJTE plošč za rezanje kamna. Ta brusilnik ni namenjen za uporabo s temi vrstami plošč, saj lahko povzročijo hude telesne poškodbe.
3. Pazite, da ne poškodujete vretena, prirobnice (še posebej na delu, kjer se stika z orodjem) ali zaskočne matice. Poškodba teh delov lahko povzroči zlom plošče.
4. Ko zaženete napravo, brusni nastavek ne sme biti v stiku z obdelovancem.
5. Pred začetkom dela na obdelovancu pustite orodje delovati nekaj časa v prostem teku. Bodite pozorni na morebitne vibracije ali tresljaje, ki bi lahko nakazovali na nepravilno nameščeno oziroma slabo centrirano ploščo.
6. Za brušenje uporabljajte brusni nastavek z ustrezno brusilno površino.
7. Orodja ne pustite delovati brez nadzora. Dovoljeno ga je uporabljati samo ročno.
8. Takoj po končani obdelavi se ne dotikajte obdelovanca; ta je lahko zelo vroč in lahko povzroči opekline kože.
9. Za pravilno namestitvev in uporabo plošč sledite navodilom proizvajalca. Skrbno ravnajte s ploščami in jih pravilno shranjujte.
10. Ne uporabljajte puš ali adapterjev za prilagoditev velikosti lukenj plošč.
11. Uporabljajte samo prirobnice, ki jih posebej za vaše orodje priporoča proizvajalec.
12. Pri orodjih z navojem preverite, če je navoj plošče primerno dolg, da zajame celotno dolžino vretena.
13. Poskrbite za ustrezno podporo obdelovanca.
14. Preverite, če se plošča vrti tudi potem, ko ste orodje že izklopili.
15. Če je v delovnem prostoru zelo vroče in vlažno ali pa je ta poln prevodnega prahu, uporabite stikalo za diferenčni tok (30 mA) in tako zagotovite varnost upravljalca.
16. Orodja ne uporabljajte na materialih, ki vsebujejo azbest.
17. Ko uporabljate rezalne plošče, jih vedno uporabljajte s ščitnikom za zbiranje prahu, kot zahtevajo lokalni predpisi.
18. Na rezalne plošče ne izvajajte bočnega pritiska.
19. Pri delu ne uporabljajte tekstilnih delovnih rokavic. Vlákna iz tekstilnih rokavic lahko prodrejo v orodje, zaradi česar se lahko orodje poškoduje.

SHRANITE TA NAVODILA.

⚠ OPOZORILO: NE dovolite, da bi zaradi udobnejšega dela ali znanja o uporabi izdelka (pridobljenega z večkratno uporabo) opustili strogo upoštevanje varnostnih zahtev v okviru pravilne uporabe orodja. ZLORABA ali neupoštevanje varnostnih zahtev v teh navodilih za uporabo lahko povzroči resne telesne poškodbe.

OPIS DELOVANJA

⚠ POZOR: Pred vsako nastavitvijo ali pregledom nastavitvev orodja se prepričajte, da je orodje izklopljeno in izključeno z električnega omrežja.

Zapora vretena

Pritisnite zaporo vretena, da preprečite vrtenje med nameščanjem ali odstranjevanjem nastavka.

► **SI.1:** 1. Zapora vretena

OBVESTILO: Nikoli ne sprožite zapore vretena, ko se to premika. Orodje se lahko poškoduje.

Delovanje stikala

⚠ POZOR: Pred priključitvijo orodja na električno omrežje se vedno prepričajte, da drsno stikalo pravilno deluje in da se vrača v položaj za izklop (OFF), ko ga spustite.

⚠ POZOR: Stikalo lahko zaklenete v položaju za vklop „ON“ za lažje upravljanje med podaljšano uporabo. Bodite previdni pri zaklepanju orodja v položaju za vklop „ON“ in dobro držite orodje.

Za zagon orodja povlecite drsno stikalo proti položaju za vklop „I (ON)“, tako da potisnete zadnji del drsnega stikala. Za neprekinjeno delovanje pritisnite sprednji del drsnega stikala, da ga zapahnete.

Za ustavitev orodja pritisnite zadnji del drsnega stikala, nato pa ga premaknite v položaj „O (IZKLOP)“.

► **SI.2:** 1. Drsno stikalo

Zaščita pred nenamernim vklopom

Orodje se ne vklopi s stikalom z zaporo položaja VKLOP, tudi ko je orodje priključeno na električno omrežje.

Za izklop funkcije za zaščito pred nenamernim vklopom premaknite stikalo za vklop/izklop v položaj OFF (IZKLOP).

OPOMBA: Ko je vključena zaščita pred nenamernim vklopom, pred ponovnim zagonom orodja počakajte več kot eno sekundo.

OPOMBA: Če je orodje preobremenjeno in temperatura orodja doseže določen nivo, se orodje lahko samodejno ustavi. V tem primeru počakajte, da se orodje ohladi, preden ga znova vklopite.

Funkcija mehkega zagona

Funkcija mehkega zagona omili reakcijo pri vžigu.

MONTAŽA

⚠ POZOR: Pred vsakim posegom v orodje se prepričajte, da je orodje izklopljeno in izključeno z električnega omrežja.

Nameščanje stranskega ročaja (ročaj)

⚠ POZOR: Pred uporabo se vedno prepričajte, da je stranski ročaj varno nameščen.

Trdno privijte stranski ročaj na orodje, kot je prikazano na sliki.

► **SI.3**

Nameščanje ali odstranjevanje ščitnika (za rezalne plošče z ugreznjenim centrom, zaporne plošče, mehke rezalne plošče, ploščate žične ščetke/abrazivne rezalne plošče, diamantne rezalne plošče)

⚠ OPOZORILO: Kadar uporabljate rezalno ploščo z ugreznjenim centrom, zaporno ploščo, mehko rezalno ploščo ali ploščato žično ščetko, je treba ščitnik namestiti na orodje tako, da je zaprta stran ščitnika vedno obrnjena proti upravljavcu.

⚠ OPOZORILO: Ko uporabljate abrazivne rezalne/diamantne plošče, uporabljajte samo posebni ščitnik, narejeno za uporabo z rezalnimi ploščami.

(V nekaterih evropskih državah lahko med uporabo diamantne rezalne plošče uporabljate običajni ščitnik. Upošteвайте predpise v vaši državi.)

Za orodje s ščitnikom plošče z blokirnimi vijakom

Namestite ščitnik tako, da bodo izbokline na jermenu ščitnika poravnane z zarezi na ležajnem ohišju. Nato zavrtite ščitnik rezalne plošče na takšen kot, da lahko zaščiti upravljavca glede na opravilo. Šestrobi vijak morate trdno zategniti.

Za odstranjevanje ščitnika izvedite postopek namestitve v obratnem vrstnem redu.

► **SI.4:** 1. Ščitnik za plošče 2. Ležajno ohišje 3. Vijak

Za orodje s ščitnikom s spojno ročico

Razrahljajte vijak in nato povlecite ročico v smeri puščice. Namestite ščitnik tako, da bodo izbokline na jermenu ščitnika poravnane z zarezi na ležajnem ohišju. Nato zavrtite ščitnik rezalne plošče na takšen kot, da lahko zaščiti upravljavca glede na opravilo.

► **SI.5:** 1. Ščitnik za plošče 2. Ležajno ohišje 3. Vijak 4. Ročica

Povlecite ročico v smeri puščice. Nato pričvrstite vijak in tako privijte ščitnik. Šestrobi vijak morate trdno zategniti. Kot ščitnika lahko prilagodite z ročico.

► **SI.6:** 1. Vijak 2. Ročica

Za odstranjevanje ščitnika izvedite postopek namestitve v obratnem vrstnem redu.

Nameščanje ali odstranjevanje rezalne plošče z ugreznjenim centrom ali zaporne plošče

Dodatna oprema

⚠ OPOZORILO: Kadar uporabljate rezalno ploščo z ugreznjenim centrom ali zaporno ploščo, je treba ščitnik namestiti na orodje tako, da je zaprta stran ščitnika vedno obrnjena proti upravljavcu.

⚠ POZOR: Nastavek notranje prirobnice se mora povsem ujemati z notranjim premerom plošče z ugreznjenim centrom ali zaporno ploščo. Namestitev notranje prirobnice na napačno stran lahko povzroči nevarne vibracije.

Notranjo prirobnico namestite na vreteno. Pazite, da pritrdite udrti del notranje prirobnice na ravni del na dnu vretena.

Namestite ploščo z ugreznjenim centrom ali zaporno ploščo na notranjo prirobnico in privijte zaskočno matico na vreteno.

► **SI.7:** 1. Zaskočna matica 2. Plošča z ugreznjenim centrom 3. Notranja prirobnica 4. Nastavek

Za zategovanje zaskočne matice trdno pritisnite zaporo vretena, da se vreteno ne more vrteti, nato pa uporabite ključ za zaskočno matico in trdno privijte v smeri urnega kazalca.

► **SI.8:** 1. Ključ za zaskočno matico 2. Zapora vretena

Za odstranjevanje plošče izvedite postopek namestitve v obratnem vrstnem redu.

Super-prirobnica

Dodatna oprema

Samo za orodja z navojem vretena M14.

Modeli z oznako F so serijsko opremljeni s super-prirobnico. V primerjavi z navadno zaskočno matico je za odprtje super-prirobnice potrebna samo tretjina moči.

Namestitev ali odstranitev mehke rezalne plošče

Dodatna oprema

⚠ OPOZORILO: Kadar je na orodju mehka rezalna plošča, vedno uporabljajte priloženi ščitnik. Ščitnik uporabnika varuje pred rezalno ploščo, ki se lahko med delom razleti.

► **SI.9:** 1. Zaskočna matica 2. Mehka rezalna plošča 3. Podporna blazinica 4. Notranja prirobnica

Upošteвайте navodila za rezalne plošče z ugreznjenim centrom, vendar na ploščo namestite tudi podporno blazinico. Vrstni red sestavljanja najdete na strani s priborom v tem priročniku.

Namestitev ali odstranitev brusne plošče

Dodatna oprema

► **SI.10:** 1. Zaskočna matica za brušenje 2. Brusna plošča 3. Gumeni nastavek

1. Namestite gumeni nastavek na vreteno.
2. Namestite ploščo na gumeni nastavek in privijte zaskočno matico na vreteno.
3. Zadržite vreteno z zaporo vretena in čvrsto privijte zaskočno matico za brušenje v smeri urnega kazalca s ključem za zaskočno matico.

Za odstranjevanje plošče izvedite postopek namestitve v obratnem vrstnem redu.

OPOMBA: Uporabite ustrezeni komplet za glajenje, naveden v navodilih za uporabo. Komplet ni priložen orodju, temveč ga je treba dokupiti.

UPRAVLJANJE

⚠ OPOZORILO: Nikoli ni potrebno pritiskati orodja. Teža orodja zagotavlja zadosten pritisk. Prisilno in čezmerno pritiskanje lahko povzroči nevaren zlom plošče.

⚠ OPOZORILO: VEDNO zamenjajte ploščo, če vam orodje med brušenjem pade na tla.

⚠ OPOZORILO: NIKOLI ne udarjajte s ploščo po obdelovancu.

⚠ OPOZORILO: Preprečite poskakovanje in zagozdenje plošče, zlasti med obdelovanjem kotov, ostrih robov itd. To lahko povzroči izgubo nadzora in povratni udarec.

⚠ OPOZORILO: NIKOLI ne uporabljajte orodja z rezili za rezanje lesa in drugimi rezili. Takšna rezila lahko pri uporabi s brusilnikom pogosto odskakujejo in povzročijo izgubo nadzora, ki povzroči telesne poškodbe.

⚠ POZOR: Nikoli ne vključite orodja, ko je v stiku z obdelovancem, saj lahko poškoduje upravljavca.

⚠ POZOR: Med delovanjem vedno nosite varovalna očala ali ščitnik obraza.

⚠ POZOR: Po uporabi vedno izklopite orodje in počakajte, da se plošča popolnoma ustavi, preden orodje odložite.

⚠ POZOR: VEDNO trdno držite orodje z eno roko za ohišje in z drugo za stranski ročaj.

Brušenje

► SI.11

Vklopite stroj in položite rezalno ploščo ali ploščo na obdelovanca.

Na splošno držite rob plošče pod kotom približno 15° na površino obdelovanca.

V času preboja z novo rezalno ploščo brusilnika ne uporabljajte v smeri naprej, saj lahko zareže v obdelovanca. Ko je rob plošče zaobljen zaradi obrabe, lahko ploščo premikate tako v smeri naprej kot tudi v smeri nazaj.

Uporaba z abrazivnimi rezalnimi/diamantnimi ploščami

Dodatna oprema

⚠ OPOZORILO: Ko uporabljate abrazivne rezalne/diamantne plošče, uporabljajte samo posebni ščitnik, narejeno za uporabo z rezalnimi ploščami.

(V nekaterih evropskih državah lahko med uporabo diamantne rezalne plošče uporabljate običajni ščitnik. Upoštevajte predpise v vaši državi.)

⚠ OPOZORILO: NIKOLI ne uporabljajte rezalne plošče za bočno brušenje.

⚠ OPOZORILO: Rezalne plošče ne „zagozdite“ ali preobremenite. Ne skušajte narediti preglobokih rezov. Preobremenjevanje plošče povečuje možnost zvižanja ali zagozdenja plošče v obdelovancu ter s tem možnost povratnega udarca ali zloma plošče in pregrevanja motorja.

⚠ OPOZORILO: Rezanja ne začnite v obdelovancu. Najprej počakajte, da plošča doseže polno hitrost, in potem pomaknite orodje naprej po površini obdelovanca. Če začnete z rezanjem v obdelovancu, se lahko plošča zagozdi, lahko pa nastane tudi povratni udarec.

⚠ OPOZORILO: Med rezanjem ne spreminjajte kota plošče. Bočni pritisk na rezalne ploščo (kot pri brušenju) bo povzročil razpoke in zlom plošče in s tem hude telesne poškodbe.

⚠ OPOZORILO: Diamantne rezalne plošče uporabljajte pravokotno na rezani material.

- **SI.12:** 1. Zaskočna matica 2. Abrazivna rezalna plošča/diamantna plošča 3. Notranja prirobnica 4. Ščitnik za abrazivno/diamantno rezalno ploščo

Kot pri nameščanju tudi tukaj upoštevajte navodila za rezalno ploščo z ugreznjenim centrom.

Smer za namestitev zaskočne matice in notranje prirobnice se razlikuje glede na tip in debelino plošče. Glejte spodaj navedene številke.

Za model 100 mm

Pri nameščanju abrazivne rezalne plošče:

- **SI.13:** 1. Zaskočna matica 2. Abrazivna rezalna plošča (tanjša od 4 mm) 3. Abrazivna rezalna plošča (debelina 4 mm ali več) 4. Notranja prirobnica

Pri nameščanju diamantne rezalne plošče:

- **SI.14:** 1. Zaskočna matica 2. Diamantna rezalna plošča (tanjša od 4 mm) 3. Diamantna rezalna plošča (debelina 4 mm ali več) 4. Notranja prirobnica

Za model 115 mm/125 mm

Pri nameščanju abrazivne rezalne plošče:

- **SI.15:** 1. Zaskočna matica 2. Abrazivna rezalna plošča (tanjša od 4 mm) 3. Abrazivna rezalna plošča (debelina 4 mm ali več) 4. Notranja prirobnica

Pri nameščanju diamantne rezalne plošče:

- **SI.16:** 1. Zaskočna matica 2. Diamantna rezalna plošča (tanjša od 4 mm) 3. Diamantna rezalna plošča (debelina 4 mm ali več) 4. Notranja prirobnica

Uporaba lončaste žične ščetke

Dodatna oprema

▲POZOR: Preden pričnete z uporabo lončaste žične ščetke, orodje najprej pustite nekaj trenutkov delovati v prostem teku, ob tem pa orodje obrnite stran od morebitnih prisotnih.

▲POZOR: Ne uporabljajte poškodovane ali izrabljene lončaste žične ščetke. Uporaba poškodovane ščetke predstavlja nevarnost poškodb, ki lahko nastanejo zaradi stika z zlomljenimi žicami.

- **SI.17:** 1. Lončasta žična ščetka

Orodje izključite in ga obrnite na glavo, da bo tako vreteno lažje dosegljivo.

Z vretena nato odstranite vse nastavke. Na vreteno namestite lončasto žično ščetko in jo privijte s priloženim ključem.

OBVESTILO: Ne uporabljajte prekomerne sile, saj lahko v tem primeru pri uporabi ščetke pride do pretiranega upogibanja žic. To lahko povzroči predčasen prelom.

Uporaba ploščate žične ščetke

Dodatna oprema

▲POZOR: Preden pričnete z uporabo ploščate žične ščetke, orodje najprej pustite nekaj trenutkov delovati v prostem teku, ob tem pa orodje obrnite stran od morebitnih prisotnih.

▲POZOR: Ne uporabljajte poškodovane ali izrabljene ploščate žične ščetke. Uporaba poškodovane ploščate žične ščetke predstavlja nevarnost poškodb, ki lahko nastanejo zaradi stika z zlomljenimi žicami.

▲POZOR: Pri uporabi ploščatih žičnih ščetk **VEDNO** namestite ustrezen ščitnik in pri tem nastavite primerno oddaljenost. Ščitnik uporabnika varuje pred rezalno ploščo, ki se lahko med delom razleti.

- **SI.18:** 1. Ploščata žična ščetka

Orodje izključite in ga obrnite na glavo, da bo tako vreteno lažje dosegljivo.

Z vretena nato odstranite vse nastavke. Na vreteno namestite ploščato žično ščetko in jo privijte s priloženim ključem.

OBVESTILO: Ne uporabljajte prekomerne sile, saj lahko v tem primeru pri uporabi ploščate žične ščetke pride do pretiranega upogibanja žic. To lahko povzroči predčasen prelom.

VZDRŽEVANJE

▲POZOR: Preden se lotite pregledovanja ali vzdrževanja orodja, se vedno prepričajte, da je orodje izključeno in vtič izvlečen iz vtičnice.

OBVESTILO: Nikoli ne uporabljajte bencina, razredčila, alkohola ali podobnega sredstva. V tem primeru se lahko orodje razbarva ali deformira oziroma lahko nastanejo razpoke.

Čiščenje prezačevalnih rež

Orodje in prezačevalne reže morajo biti čiste. Prezačevalne reže orodja čistite redno ali ko so ovirane.

- **SI.19:** 1. Izpustna reža 2. Vhodna reža

VARNO in **ZANESLJIVO** delovanje tega izdelka bo zagotovljeno le, če boste popravila, vzdrževanje in nastavitve prepustili pooblaščenemu servisu za orodja Makita ali tovarniškemu osebju, ki vgrajuje izključno originalne nadomestne dele.

DODATNA OPREMA

⚠ POZOR: Ta dodatni pribor ali pripomočki so predvideni za uporabo z orodjem Makita, ki je opisano v teh navodilih za uporabo. Pri uporabi drugega pribora ali pripomočkov obstaja nevarnost telesnih poškodb. Dodatni pribor ali pripomočke uporabljajte samo za navedeni namen.

Za več informacij o dodatni opremi se obrnite na najbližji pooblaščen servis za orodja Makita.

► SI.20

-	Model 100 mm	Model 115 mm	Model 125 mm
1	Ročaj 36		
2	Ščitnik (za brusilno ploščo)		
3	Notranja prirobnica	Notranja prirobnica/super prirobnica	
4	Rezalna plošča z ugreznjenim centrom/zaporna plošča		
5	Zaskočna matica		
6	Podporna blazinica		
7	Mehka rezalna plošča		
8	Gumeni nastavek 76	Gumeni nastavek 100	Gumeni nastavek 115
9	Brusna plošča		
10	Zaskočna matica za brušenje		
11	Ploščata žična ščetka		
12	Lončasta žična ščetka		
13	Ščitnik (za rezalno ploščo) *1		
14	Abrazivna rezalna plošča/diamantna plošča		
-	Ključ za zaskočno matico		

OPOMBA: *1 V nekaterih evropskih državah lahko pri uporabi diamantnega rezila uporabite običajni ščitnik namesto posebnega, ki pokriva obe strani plošče. Upoštevajte predpise v svoji državi.

OPOMBA: Nekateri predmeti na seznamu so lahko priloženi orodju kot standardna dodatna oprema. Lahko se razlikujejo od države do države.

SPECIFIKIMET

Modeli:	GA4030R	GA4530R	GA5030R
Diametri i diskut	100 mm (4")	115 mm (4-1/2")	125 mm (5")
Trashësia maks. e diskut	6,4 mm	7,2 mm	
Filetimi i boshtit	M10	M14 ose 5/8" (sipas shtetit)	
Shpejtësia nominale (n)	11 000 min ⁻¹		
Gjatësia totale	266 mm		
Pesha neto	1,7 kg	1,8 kg	
Kategoria e sigurisë	□/II		

- Për shkak të programit tonë të vazhdueshëm të kërkim-zhvillimit, specifikimet që jepen këtu mund të ndryshojnë pa dhënë njoftim.
- Specifikimet mund të ndryshojnë nga njëri shtet në tjetrin.
- Pesha sipas Procedurës EPTA 01/2003

Përdorimi i synuar

Vegla përdoret për të lëmuar, smeriluar dhe për të prerë materiale metali dhe guri pa përdorimin e ujit.

Furnizimi me energji

Vegla duhet të lidhet vetëm me një furnizim me energji me të njëjtin tension të treguar në pllakëzën metalike udhëzuese dhe mund të funksionojë vetëm me rrymë alternative njëfazore. Ata kanë izolim të dyfishtë dhe mund të përdorin priza pa tokëzim.

Zhurma

Niveli tipik i zhurmës A, i matur sipas EN60745:
 Niveli i presionit të zhurmës (L_{PA}) : 85 dB (A)
 Niveli i fuqisë së zhurmës (L_{WA}) : 96 dB (A)
 Pasiguria (K): 3 dB (A)

▲ PARALAJMËRIM: Mbani mbrojtëse për veshët.

Dridhja

Vlera totale e dridhjeve (shuma e vektorit me tre akse) përcaktohet sipas EN60745:

Modeli GA4030R

Regjimi i punës: smerilimi i sipërfaqeve
 Emetimi i dridhjeve (a_{h,AG}) : 7,0 m/s²
 Pasiguria (K): 1,5 m/s²
 Regjimi i punës: smerilimi me disk
 Emetimi i dridhjeve (a_{h,DS}) : 2,5 m/s² ose më pak
 Pasiguria (K): 1,5 m/s²

Modeli GA4530R

Regjimi i punës: smerilimi i sipërfaqeve
 Emetimi i dridhjeve (a_{h,AG}) : 7,5 m/s²
 Pasiguria (K): 1,5 m/s²
 Regjimi i punës: smerilimi me disk
 Emetimi i dridhjeve (a_{h,DS}) : 2,5 m/s² ose më pak
 Pasiguria (K): 1,5 m/s²

Modeli GA5030R

Regjimi i punës: smerilimi i sipërfaqeve
 Emetimi i dridhjeve (a_{h,AG}) : 8,5 m/s²
 Pasiguria (K): 1,5 m/s²
 Regjimi i punës: smerilimi me disk
 Emetimi i dridhjeve (a_{h,DS}) : 2,5 m/s² ose më pak
 Pasiguria (K): 1,5 m/s²

SHËNIM: Vlera e deklaruar e emetimeve të dridhjeve është matur sipas metodës standarde të testimit dhe mund të përdoret për të krahasuar një vegël me një tjetër.

SHËNIM: Vlera e deklaruar e emetimeve të dridhjeve mund të përdoret për një vlerësim paraprak të ekspozimit.

▲ PARALAJMËRIM: Emetimet e dridhjeve gjatë përdorimit aktual të veglës elektrike mund të ndryshojnë nga vlerat e deklaruarat të emetimeve në varësi të mënyrave sesi përdoret vegla.

▲ PARALAJMËRIM: Vërtetoni që masat e sigurisë për mbrojtjen e përdoruesit bazohen në vlerësimin e ekspozimit ndaj kushteve aktuale të përdorimit (duke marrë parasysh të gjitha pjesët e ciklit të funksionimit si ato kur pajisja është e fikur dhe punon pa prerë ashtu edhe kohën e përdorimit).

▲ PARALAJMËRIM: Vlera e deklaruar e emetimeve të dridhjeve përdoret për aplikacionet kryesore të veglës elektrike. Megjithatë, nëse vegla elektrike përdoret për aplikacione të tjera, vlera e emetimeve të dridhjeve mund të ndryshojë.

Deklarata e konformitetit me KE-në

Vetëm për shtetet evropiane

Deklarata e konformitetit me KE-në përfshihet si Shtojca A në këtë manual përdorimi.

Paralajmërimet e përgjithshme për sigurinë e veglës

⚠️ PARALAJMËRIM: Lexoni të gjitha paralajmërimet dhe udhëzimet për sigurinë. Mosndjekja e paralajmërimeve dhe udhëzimeve mund të rezultojë në goditje elektrike, zjarr dhe/ose lëndim serioz.

Ruajini të gjitha paralajmërimet dhe udhëzimet për të ardhmen.

Termi "vegël elektrike" në paralajmërimet referohet veglës elektrike që përdoret e lidhur në prizë (me kordon) ose veglës së përdorur me bateri (pa kordon).

Paralajmërimet për sigurinë e lëmuesit

Paralajmërimet për sigurinë e zakonshme gjatë veprimeve të lëmimit, smerilimit, fshirjes me furçë me tela ose prerjes abrazive:

- Kjo vegël elektrike funksionon si lëmues, smerilues, furçë teli ose prerës. Lexoni të gjitha paralajmërimet për sigurinë, udhëzimet, ilustrimet dhe specifikimet e dhëna me këtë vegël elektrike.** Mosndjekja e të gjitha udhëzimeve të renditura më poshtë mund të shkaktojë goditje elektrike, zjarr dhe/ose lëndim të rëndë.
- Veprimet si lustrimi nuk rekomandohen për t'u kryer me këtë vegël elektrike.** Veprimet për të cilat pajisja elektrike nuk është e përshtatshme mund të krijojnë rrezik dhe të shkaktojnë dëmtime personale.
- Mos përdorni aksesorë që nuk janë projektuar dhe rekomanduar nga prodhuesi i veglës.** Fakti që një aksesori mund të montohet në veglën tuaj elektrike, nuk garanton një funksionim të sigurt.
- Shpejtësia e matur e aksesorit duhet të jetë minimalisht e barabartë me shpejtësinë maksimale të caktuar në veglën elektrike.** Aksesorët që e kalojnë shpejtësinë e matur mund të thyhen dhe të ndahen në copa.
- Diametri i jashtëm dhe trashësia e aksesorit tuaj duhet të jetë brenda kapacitetit të matur të veglës elektrike.** Aksesorët me përmasa të gabuara nuk mund të mbrohen ose të kontrollohen siç duhet.
- Montimi me fileto i aksesorëve duhet të përputhet me fileton e boshtit të makinerisë prerëse. Për aksesorët e montuar me flanxha, vrima e boshtit të aksesorit duhet të përputhet me diametrin e folesë së flanxhës.** Aksesorët që nuk përputhen me pjesën montuese të veglës elektrike do të humbasin ekuilibrin, do të lëkunden jashtë mase dhe mund të shkaktojnë humbjen e kontrollit.
- Mos përdorni aksesorë të dëmtuar. Përpara çdo përdorimi kontrolloni aksesorët si p.sh. disqet abrazive për ciflosje dhe krisje, mbështetëset e disqeve për krisje, gërvishjtje ose konsumim, furçën me tela për lirim ose thyerje të telave. Nëse pajisja elektrike ose aksesori bie, kontrolloni për dëmtime ose instaloni një aksesori të padëmtuar. Pas inspektimit dhe instalimit të aksesorëve, qëndroni me personat e tjerë larg trajektoreve së rrotullimit të aksesorit dhe lëroni pajisjen elektrike të punojë me shpejtësi maksimale pa ngarkesë për një minutë. Aksesorët e dëmtuar zakonisht do të shpëputen nga pajisja gjatë këtij testi.**
- Mbani pajisje mbrojtëse personale. Në varësi të përdorimit, përdorni mbrojtëse për fytyrën ose syze sigurie të mëdha ose të vogla. Sipas rastit, mbani maskë kundër pluhurit, mbrojtëse për dëgjimin, doreza dhe përparëse mbrojtëse që mund të ndalojnë copëzat abrazive ose të materialit të punës.** Mbrojtësja e syve duhet të ketë aftësi të ndalojë copat fluturuese që prodhohen nga veprimet e ndryshme. Maska kundër pluhurit ose respiratori duhet të jenë në gjendje të filtrojnë grimcat e prodhuara nga funksionimi i pajisjes. Ekspozimi për një kohë të gjatë ndaj zhurmave të forta mund të shkaktojë humbjen e dëgjimit.
- Mos i lejoni personat të afrohen në zonën e punës. Kushdo që hyn në zonën e punës duhet të mbajë veshur mjetet mbrojtëse personale.** Copëzat e materialit të punës ose të një aksesori të thyer mund të fluturojnë larg dhe të shkaktojnë dëmtime përtej zonës ku punohet.
- Mbajeni veglën elektrike vetëm te sipërfaqet e izoluar, kur të jeni duke kryer një veprim në të cilin aksesori prerës mund të kontaktojë me tela të fshehur ose kordonin e vet.** Nëse aksesori prerës prek një tel me rrymë, atëherë pjesët metalike të veglës elektrike elektrizohen dhe mund t'i shkaktojnë përdoruesit goditje elektrike.
- Vendoseni kordonin larg aksesorit rrotullues.** Nëse humbisni kontrollin, kordoni mund të pritët ose të ngatërrohet dhe dora ose krahu juaj mund të shkojnë drejt rrotës rrotulluese.
- Mos e lëshoni veglën elektrike nga dora deri sa aksesori të ketë ndaluar plotësisht.** Aksesori që rrotullohet mund të prekë sipërfaqen dhe mund ta nxjerrë veglën elektrike jashtë kontrollit.
- Mos e ndizni veglën elektrike kur jeni duke e mbajtur anash trupit tuaj.** Kontakti aksidental me aksesorin rrotullues mund ta ngeçë atë në rrobata tuaja, duke e tërhequr aksesorin drejt trupit tuaj.
- Pastroni rregullisht vrimat e ajrosjes së veglës elektrike.** Ventilatori i motorit do ta tërheqë pluhurin brenda folesë dhe akumulimi i tepërt i pluhurit të metalit mund të shkaktojë rreziqe elektrike.
- Mos e përdorni veglën elektrike pranë materialeve të ndezshme.** Shkëndijat mund t'i ndezin këto materiale.
- Mos përdorni aksesorë që kërkojnë ftohës të lëngshëm.** Përdorimi i ujit ose i ftohësve të tjerë të lëngshëm mund të rezultojnë në goditje ose në goditje elektrike.

Kundërveprimi dhe paralajmërimet lidhur me të
Zmbrapsja është një reagim i shpejtë që ndodh kur disku prerës, mbështetësja e rrotës, furça ose çdo aksesor tjetër bllokohet ose ngec. Bllokimi ose ngecja shkaktajnë ndalesë të menjëhershme të aksesorit rrotullues, i cili si pasojë bën që pajisja elektrike e pakontrolluar të shtyhet në drejtimin e kundërt të rrotullimit të aksesorit deri në pikën e lidhjes.

Për shembull, nëse disku abrazive ngec ose bllokohet nga materiali i punës, tehu i diskut që hyn në vendin e bllokimit mund të godasë sipërfaqen e materialit duke shkaktuar daljen ose kërcimin e diskut nga vendi. Disku mund të kërcëjë në drejtim të punëtorit ose larg tij, në varësi të drejtim të lëvizjes së diskut në momentin e bllokimit. Disqet abrazive mund të thyhen në të tilla kushte. Kundërveprimi është rezultat i keqpërdorimit të veglës elektrike dhe/ose procedurave ose kushteve të pasakta të përdorimit dhe mund të shmanget duke marrë masat e mëposhtme parandaluese.

1. **Mbajni veglën elektrike fort dhe vendosni trupin dhe krahun në mënyrë që të pengoni forcat kundërvepruese.** Përdorni gjithmonë dorezën ndihmëse, nëse mundësohet, për një kontroll maksimal mbi kundërveprimin ose reagimin rrotullues gjatë ndezjes. Përdoruesi mund të kontrollojë reagimet rrotulluese ose forcat kundërvepruese, nëse merrn masa parandaluese.
2. **Mos e vini kurrë dorën pranë aksesorit rrotullues.** Aksesorit mund të kundërveprojë mbi dorën tuaj.
3. **Mos e poziciononi trupin tuaj në zonën ku vegla elektrike do të lëvizë nëse ndodh kundërveprimi.** Kundërveprimi do ta dërgojë veglën në drejtimin e kundërt të lëvizjes së diskut në pikën e ngecjes.
4. **Tregoni kujdes të veçantë kur të punoni në cepa, anë të mprehta etj. Shmangni kërcimet dhe ngecjen e aksesorit.** Cepat, anët e mprehta ose kërcimet kanë një tendencë për të shkaktuar ngecjen e aksesorit rrotullues që shkakton humbjen e kontrollit ose kundërveprimin.
5. **Mos vendosni një teh sharre me zinxhir për drutë ose një teh sharre me dhëmbë.** Disqet të tilla krijojnë kundërveprime të shpeshta dhe humbje të kontrollit.

Paralajmërimet për sigurinë specifike gjatë veprimeve të lëmimit dhe prerjes abrazive:

1. **Përdorni vetëm llojet e disqeve që janë të rekomanduara për veglën tuaj elektrike dhe mbrojtësen specifike të projektuar për diskun e zgjedhur.** Disqet të cilët nuk janë projektuar për veglën elektrike nuk mund të mbrohen dhe nuk janë të sigurta.
2. **Sipërfaqja smeriluese e disqeve të shtypur qendrorë duhet të montohet poshtë rrafshit të buzëve mbrojtëse.** Një disk që është montuar keq dhe që del nga rrafshi i buzëve mbrojtëse, nuk mund të mbrohet siç duhet.
3. **Mbrojtësja duhet të lidhet në mënyrë të sigurt me veglën elektrike dhe të pozicionohet për siguri maksimale, në mënyrë që një pjesë shumë e vogël e diskut të jetë e zbuluar nga përdoruesi.** Mbrojtësja ndihmon në ruajtjen e përdoruesit nga copëzat e thyera të diskut, kontakti aksidental me diskun dhe shkëndijat që mund të ndezin rrobat.
4. **Disqet duhet të përdoren vetëm për përdorimet e rekomanduara.** Për shembull: mos smeriloni me anën e diskut prerës. Disqet abrazive prerëse janë synuar për smerilim anësor, forcat anësore të ushtruara mbi këto disqe mund të shkaktajnë thyerjen e tyre.

5. **Gjithmonë përdorni flanaxha disqesh të padëmtuara të madhësisë dhe formës së diskut të zgjedhur.** Flanaxhat e përshtatshme të disqeve e mbështesin diskun duke reduktuar mundësinë e thyerjes së saj. Flanaxhat për disqet e prerjes mund të jenë ndryshe nga flanaxhat e disqeve të smerilimit.
6. **Mos përdorni disqe të konsumuara nga pajisje më të mëdha elektrike.** Disku i synuar për pajisje më të mëdha elektrike nuk është i përshtatshëm për shpejtësinë e madhe të pajisjes së vogël dhe mund të plasë.

Paralajmërimet për sigurinë specifike gjatë veprimeve të prerjes abrazive:

1. **Mos e "bllokoni" diskun prerës ose mos aplikoni presion të tepërt mbi të.** Mos provoni të kryeni prerje të thella. Ushtrimi i forcës së tepërt mbi disk rrit ngarkesën dhe ndjeshmërinë ndaj përdredhjeve ose kapjes së diskut gjatë prerjes dhe mundësinë e kundërveprimit ose të thyerjes së diskut.
2. **Mos e poziciononi trupin tuaj në një linjë dhe mbrapa diskut rrotullues.** Kur disku, në pikën e veprimit, po largohet nga trupi juaj, kundërveprimi i mundshëm mund ta dërgojë diskun prerës dhe veglën elektrike në drejtimin tuaj.
3. **Kur disku kapet ose kur ndërprisni prerjen për çdo lloj arsyeje, fikeni veglën elektrike dhe mbajeni pa lëvizur derisa disku të ndalojë plotësisht.** Mos tentoni kurrë ta tërhiqni diskun nga vendi i prerjes ndërsa disku është duke lëvizur, përndryshe mund të ndodhë kundërveprimi. Hetoni dhe ndërmerrni veprime korigjuese për të eliminuar ngecjen e diskut.
4. **Mos e rifilloni procesin e prerjes në materialin e punës.** Lejoni diskun të arrijë shpejtësinë maksimale dhe më pas rifilloni prerjen. Disku mund të kapet, të shkojë lart ose të kundërveprojë nëse vegla elektrike rindizet brenda materialit të punës.
5. **Mbështetni panelet ose çdo material pune të madh për të minimizuar rrezikun e bllokimit dhe të kundërveprimit të diskut.** Materialet e mëdha të punës kanë tendencë të përkulen nga pesha e tyre. Mbështetëset duhet të vendosen poshtë materialit të punës pranë vijës së prerjes dhe buzës së materialit të punës nga të dyja anët e diskut.
6. **Tregoni kujdes të veçantë kur të bëni një "prerje në xhep" mbi muret ekzistuese ose në zona të tjera me shikim të kufizuar.** Disku i dalë mund të presë tuba gazesh ose uji, tela elektrikë ose objekte që shkaktajnë kundërveprim.

Paralajmërimet për sigurinë specifike gjatë veprimeve të smerilimit:

1. **Mos përdorni një letër të madhe disku për smerilim.** Ndiqni rekomandimet e prodhuesve kur të zgjidhni letrën smerile. Letra smerile më e madhe se mbështetësja e rrotës krijon rrezik dëmtimi dhe mund të shkaktojë ngecjen, thyerjen ose kundërveprimin e diskut.

Paralajmërimet për sigurinë specifike gjatë veprimeve të fshirjes me tela:

1. **Kini parasysh se qimet e forta të telit shkëputen nga furça edhe gjatë funksioneve të zakonshme.** Mos i sforconi telat duke ushtruar forcë mbi furçën. Qimet e forta të telit mund të depërtojnë në rrobat e holla dhe/ose në lëkurë.
2. **Nëse rekomandohet përdorimi i mbrojtëses për fshirjen me tela, mos lejoni ndërhyrje të diskut ose furçës së telit të mbrojtësja.** Disku ose furça e telit mund të zgjerohet në diametër nga ngarkesa e punës dhe forcat centrifugale.

Paralajmërimi shtesë mbi sigurinë:

1. Kur të përdorni disqe lëmuese me qendër të shtypur, sigurohuni të përdorni vetëm disqe të përforcuara me fibër qelqi.
2. **KURRË MOS PËRDORNI** disqe të llojit Stone Cup me këtë lëmues. Ky lëmues nuk është projektuar për këto lloje disqesh dhe përdorimi i këtij produkti mund të shkaktojë dëmtime personale.
3. Tregoni kujdes se mos dëmtoni boshtin, flanxhën (sidomos sipërfaqen e instalueshme) ose dadon e bllokimit. Dëmtimi i këtyre pjesëve mund të shkaktojë thyerjen e diskut.
4. Sigurohuni që disku nuk e prek materialin e punës përpara se të ndizet çelësi.
5. Përpara se të përdorni veglën mbi një material aktual, lëroni të punojë për ca kohë. Tregoni kujdes për dridhjet ose lëkundjet që dëshmojnë për një instalim të gabuar ose një disk jo në ekuilibër.
6. Përdorni sipërfaqen e specifikuar të diskut për të kryer lëmimin.
7. Mos e lini veglën të ndezur. Përdoroni veglën vetëm duke e mbajtur në dorë.
8. Mos e prekni materialin e punës menjëherë pas punës; mund të jetë shumë i nxehtë dhe mund t'ju djegë lëkurën.
9. Shihni udhëzimet e prodhuesit për montimin dhe përdorimin e saktë të disqeve. Trajtoni dhe ruajini disqet me kujdes.
10. Mos përdorni unaza zvogëluese ose reduktorë për të përshtatur disqet abrazive me vrimë të madhe.
11. Përdorni vetëm flanxha specifike për këtë vegël.
12. Për veglat që do të punojnë me disqe që kanë vrimë të filetuar, sigurohuni që fileta në disk të jetë aq e gjatë sa të pranojë të gjithë boshtin.
13. Kontrolloni që materiali i punës është mbështetur siç duhet.
14. Tregoni kujdes, sepse disku vazhdon rrotullimin edhe pasi të jetë fikur vegla.
15. Nëse ambienti i punës është shumë i nxehtë dhe me lagështirë ose i ndotur shumë me pluhur të përçueshëm, përdorni një ndërprerës qarku (30 mA) për të siguruar përdoruesin.
16. Mos e përdorni veglën mbi materiale që përmbajnë asbest.
17. Kur përdorni disk prerës, gjithmonë punoni me mbrojtësen e diskut që mbledh pluhurin siç kërkohet nga rregullat vendase.
18. Mbi disqet prerës nuk duhet të ushtrohet forcë anësore.
19. Mos përdorni doreza pune prej lecke gjatë punës. Fibrat e dorezave prej lecke mund të futen te vegla, gjë e cila shkakton prishjen e veglës.

RUAJINI KËTO UDHËZIME.

▲ PARALAJMËRIM: MOS lejoni që njohja ose familjarizimi me produktin (të fituara nga përdorimi i shpeshtë) të zëvendësojnë zbatimin me përpikëri të rregullave të sigurisë për produktin në fjalë. KEQPËRDORIMI ose mosndjekja e rregullave të sigurisë të dhëna në këtë manual përdorimi mund të shkaktojë dëmtime të rënda personale.

PËRSHKRIMI I PUNËS

▲KUJDES: Sigurohuni gjithmonë që vegla është fikur dhe hequr nga korrenti përpara se ta rregulloni apo t'i kontrolloni funksionet.

Bllokuesi i boshtit

Shtypni bllokimin e boshtit për të parandaluar rrotullimin e boshtit gjatë instalimit apo heqjes së aksesorëve.

► Fig.1: 1. Bllokuesi i boshtit

VINI RE: Mos e aktivizoni kurrë bllokimin e boshtit kur boshti është në rrotullim. Vegla mund të dëmtohet.

Veprimi i ndërrimit

▲KUJDES: Përpara se ta vendosni veglën në korrent, kontrolloni gjithmonë nëse çelësi i rrëshqitjes aktivizohet saktë dhe nëse kthehet në pozicionin "FIKUR" kur shtypet pjesa e pasme e çelësit të rrëshqitjes.

▲KUJDES: Çelësi mund të bllokohet në pozicionin "NDEZUR" për lehtësi të përdoruesit gjatë përdorimit të zgjatur. Bëni kujdes kur bllokoni veglën në pozicionin "NDEZUR" dhe shtrëngojeni mirë veglën.

Për ta ndezur veglën, rrëshqitni çelësin e rrëshqitjes drejt pozicionit "I (NDEZUR)" duke shtyrë pjesën e pasme të çelësit të rrëshqitjes. Për punë të vazhdueshme, shtypni pjesën e përparme të çelësit të rrëshqitjes për ta bllokuar.

Për ta ndaluar veglën, shtypni pjesën e pasme të çelësit të rrëshqitjes, më pas rrëshqiteni drejt pozicionit "O (FIKUR)".

► Fig.2: 1. Çelësi me rrëshqitje

Mbrojtja ndaj rindezjes aksidentale

Vegla nuk ndizet kur çelësi është në bllokim, edhe kur ajo është në prizë.

Për ta anuluar mbrojtjen ndaj rindezjes aksidentale, ktheni çelësin e energjisë në pozicionin OFF (FIKUR).

SHËNIM: Prisi në shumë se një sekondë përpara se të rindizni veglën kur vihet në funksionim mbrojtja ndaj rindezjes aksidentale.

SHËNIM: Kur vegla mbingarkohet dhe temperatura e veglës arrin një nivel të caktuar, vegla mund të ndalojë automatikisht. Në këtë situatë, lëroni veglën të ftohet përpara se ta aktivizoni sërish.

Veçoria e ndezjes së ngadaltë

Veçoria e ndezjes së ngadaltë redukton reagimin gjatë ndezjes.

MONTIMI

▲KUJDES: Jini gjithnjë të sigurt që vegla është fikur dhe hequr nga korrenti përpara se të bëni ndonjë punë mbi të.

Instalimi i mbajtëses (dorezës) anësore

▲KUJDES: Sigurohuni gjithnjë që mbajtësja anësore është instaluar siç duhet përpara përdorimit.

Vidhoseni mirë mbajtësen anësore në pozicionin e vëlgës siç tregohet në figurë.

► Fig.3

Instalimi ose heqja e mbrojtëses së diskut (për disk me qendër të shtypur, disk me kënd, disk fleksibël, disk me furçë me tela / disk prerës smeril, disk diamanti)

▲PARALAJMËRIM: Kur përdorni disk me qendër të shtypur, disk me kënd, disk fleksibël ose disk me furçë me tela, mbrojtësja e diskut duhet të përshtatet në vegël në mënyrë të tillë që ana e mbyllur e mbrojtëses të jetë gjithmonë e drejtuar nga përdoruesi.

▲PARALAJMËRIM: Kur përdorni disk smeril prerës / diamanti, sigurohuni të përdorni vetëm mbrojtësen e posaçme të diskut të projektuar për përdorim me disqe prerëse.

(Në disa vende të Evropës, kur përdorni disk diamanti, mund të përdorni mbrojtësen e zakonshme. Ndiqni rregullat e shtetit ku ndodhëni.)

Për vegla me mbrojtëse disku të llojit me vidë bllokuese

Montojeni mbrojtësen e diskut me të dalat e rripit të mbrojtëses së diskut të bashkërenditur me dhëmbëzat e kutisë mbajtëse. Në vijim rrotullojeni mbrojtësen e diskut në kënd të atillë që të mund ta mbrojtë përdoruesin sipas punës që kryhet. Sigurohuni që ta shtrëngoni mirë vidën.

Për ta hequr mbrojtësen e diskut, ndiqni procedurën e anasjellë të instalimit.

► Fig.4: 1. Mbrojtësja e diskut 2. Kutia mbajtëse 3. Vida

Për vegël me mbrojtëse disku të llojit me levë mbërthyese

Lironi vidën dhe pastaj tërhiqeni levën në drejtimin e shigjetës. Montojeni mbrojtësen e diskut me të dalat e rripit të mbrojtëses së diskut të bashkërenditur me dhëmbëzat e kutisë mbajtëse. Në vijim rrotullojeni mbrojtësen e diskut në kënd të atillë që të mund ta mbrojtë përdoruesin sipas punës që kryhet.

► Fig.5: 1. Mbrojtësja e diskut 2. Kutia mbajtëse 3. Vida 4. Leva

Tërhiqeni levën në drejtim të shigjetës. Më pas fiksoni mbrojtësen e diskut duke shtrënguar vidën. Sigurohuni që ta shtrëngoni mirë vidën. Këndi i qëndrimit të mbrojtëses së diskut mund të rregullohet nëpërmjet levës.

► Fig.6: 1. Vida 2. Leva

Për ta hequr mbrojtësen e diskut, ndiqni procedurën e anasjellë të instalimit.

Instalimi ose heqja e diskut me qendër të shtypur ose diskut me kënd

Aksesorë opsionalë

▲PARALAJMËRIM: Kur përdorni disk me qendër të shtypur ose disk me kënd, mbrojtësja e diskut duhet të përshtatet në vegël në mënyrë të tillë që ana e mbyllur e mbrojtëses të tregojë gjithnjë nga përdoruesi.

▲KUJDES: Sigurohuni që pjesa e montimit të flaxhës së brendshme të përputhet me diametrin e brendshëm të diskut me qendër të shtypur / diskut me kënd. Montimi i flaxhës së brendshme në anën e gabuar mund të shkaktojë dridhje të rezikshme.

Montoni flaxhën e brendshme në bosht.

Sigurohuni që pjesën e dhëmbëzuar të flaxhës së brendshme ta vendosni mbi pjesën e drejtë poshtë boshtit.

Futni diskut me qendër të shtypur / diskut me kënd në flaxhën e brendshme dhe vidhosni dadon bllokuese të boshtit.

► Fig.7: 1. Dado e kyçjes 2. Disk me qendër të shtypur 3. Flaxha e brendshme 4. Pjesa e montimit

Për ta shtrënguar dadon bllokuese, shtypni bllokimin e boshtit aq fort sa boshti të mos rrotullohet më, pastaj përdorni çelësin e dados së bllokimit dhe shtrëngojeni mirë në drejtim të akrepave të orës.

► Fig.8: 1. Çelësi i dados së bllokimit 2. Bllokuasi i boshtit

Për ta hequr diskut, ndiqni procedurën e anasjellë të instalimit.

Flanxa e sipërme

Aksesorë opsionalë

Vetëm për veglat me bosht me filetim M14.

Modelet me shkronjën F janë të pajisura si standard me flaxhë të sipërme. Krahasuar me llojin e zakonshëm, nevojitet vetëm 1/3 e përpjekjeve për të zhvidhosur dadon bllokuese.

Instalimi ose heqja e diskut fleksibël

Aksesorë opsionalë

▲ PARALAJMËRIM: Përdorni gjithmonë mbrojtësen e dhënë me veglën kur disku fleksibël është i vendosur mbi vegël. Disku mund të thyhet gjatë përdorimit dhe mbrojtësja ndihmon në uljen e mundësive për lëndime personale.

► **Fig.9:** 1. Dado e kyçjes 2. Disku fleksibël 3. Pllaka rezervë 4. Flanxa e brendshme

Ndiqni udhëzimet për diskutun me qendër të shtypur, por përdorni edhe pllakën rezervë mbi disk. Shihni radhën e montimit në faqen e aksesorëve në këtë manual.

Instalimi ose heqja e diskut abraziv

Aksesorë opsionalë

► **Fig.10:** 1. Dadoja bllokuese 2. Disk smerilimi 3. Blloku prej gome

1. Montoni bllokun e gomës në bosht.
 2. Futni diskutun në pllakën prej gome dhe vidhosni dadon bllokuese në bosht.
 3. Mbajeni boshtin me bllokuesin e boshtit, dhe shtërngoni mirë dadon bllokuese në drejtim të kundërt të akrepave të orës me çelësin për dadon e bllokimit.
- Për ta hequr diskutun, ndiqni procedurën e anasjellë të instalimit.

SHËNIM: Përdorni vetëm aksesorët rektifikues të përcaktuar në këtë manual. Këto duhet të blihen më vete.

PËRDORIMI

▲ PARALAJMËRIM: Nuk duhet të jetë kurrë e nevojshme të sforconi veglën. Pesha e veglës jep presionin e duhur. Sforcimi dhe presioni i tepërt mund të shkaktojë thyerje të rrezikshme të diskut.

▲ PARALAJMËRIM: Zëvendësojeni GJITHMONË diskutun nëse vegla bie gjatë lëmimit.

▲ PARALAJMËRIM: Mos e përplasni apo godisni KURRË diskutun e lëmimit në punë.

▲ PARALAJMËRIM: Shmangni kërcimet dhe ngecjen e diskut, veçanërisht kur punoni me këndet, cepat e mprehtë, etj. Kjo mund të shkaktojë humbje të kontrollit dhe kundërveprim.

▲ PARALAJMËRIM: Mos e përdorni KURRË veglën me disqe për prerje të drurit apo disqe të tjera sharrash. Tehet e tilla kur përdoren me lëmues kërcëjnë shpesh dhe shkaktojë humbje të kontrollit që mund të sjellë lëndimin tuaj.

▲ KUJDES: Mos e ndizni kurrë veglën kur është në kontakt me materialin e punës. Kjo mund të shkaktojë lëndim të përdoruesit.

▲ KUJDES: Gjithmonë përdorni syze mbrojtëse ose një mbrojtëse të fytyrës gjatë punës.

▲ KUJDES: Pas pune fikeni gjithnjë veglën dhe prisni derisa disku të ndalojë tërësisht përpara se ta vendosni veglën ndalo.

▲ KUJDES: Mbajeni veglën GJITHMONË mirë me njërin dorë në trup dhe me tjetrën në mbajtësen (dorezën) anësore.

Lëmimi dhe smerilimi

► **Fig.11**

Ndizni veglën dhe më pas vendosni diskutun mbi materialin e punës. Përgjithësisht, mbajeni buzën e diskutun në një kënd rreth 15° ndaj sipërfaqes së materialit të punës. Gjatë periudhës së përdorimit të një disku të ri, mos e përdorni lëmuesin në drejtimin përpara sepse përndryshe mund të futet në materialin e punës. Pasi buza e diskut të jetë rrumbullakosur nga përdorimi, disku mund të përdoret si në drejtimin përpara ashtu dhe në drejtimin prapa.

Puna me disk prerës smeril / disk diamanti

Aksesorë opsionalë

▲ PARALAJMËRIM: Kur përdorni disk smeril prerës / diamanti, sigurohuni të përdorni vetëm mbrojtësen e posaçme të diskut të projektuar për përdorim me disqe prerëse.

(Në disa vende të Evropës, kur përdorni disk diamanti, mund të përdorni mbrojtësen e zakonshme. Ndiqni rregullat e shtetit ku ndodheni.)

▲ PARALAJMËRIM: Mos përdorni KURRË disk prerës për lëmim anësor.

▲ PARALAJMËRIM: Mos e "blokoni" diskutun ose mos aplikoni presion të tepërt mbi të. Mos provoni të kryeni prerje të thella. Sforcimi i tepërt i diskut shton ngarkesën dhe gjasat për përdredhje ose kapje të diskut përgjatë prerjes dhe mundësinë e zbrapsjes, mund të ndodhë thyerje e diskut ose mbinxehje e motorit.

▲ PARALAJMËRIM: Mos e filloni prerjen brenda materialit të punës. Lërimi diskutun të kapë shpejtësinë maksimale dhe filloni me kujdes prerjen duke e lëvizur veglën përpara mbi sipërfaqen e materialit të punës. Disku mund të kapet, të kërcëjë sipër ose të zbrapset nëse vegla elektrike nisat brenda materialit të punës.

▲ PARALAJMËRIM: Gjatë prerjeve mos e ndryshoni kurrë këndin e diskut. Ushtrimi i presionit anësor mbi diskutun prerës (ashtu si gjatë lëmimit) do të shkaktojë krisjen dhe thyerjen e diskut, duke ju shkakuar lëndime të rënda.

▲ PARALAJMËRIM: Disku i diamantit duhet të përdoret pingul mbi materialin që do të pritët.

- **Fig.12:** 1. Dado e kyçjes 2. Disku prerës smeril / disku i diamantit 3. Flanxha e brendshme 4. Mbrojtësja e diskut për diskun smerilues prerës / diskut e diamantit

Njëloj si me instalimin, ndiqni udhëzimet për diskun e me qendër të shtypur.

Drejtimi për montimin e dados së bllokimit dhe të flanxhës së brendshme ndryshon sipas llojit dhe trashësisë së diskut.

Referojuni figurave më poshtë.

Për modelin 100 mm

Kur instaloni diskun smerilues prerës:

- **Fig.13:** 1. Dado e kyçjes 2. Disku smerilues prerës (më i hollë se 4 mm) 3. Disku smerilues prerës (4 mm ose më i trashë) 4. Flanxha e brendshme

Kur instaloni diskun e diamantit:

- **Fig.14:** 1. Dado e kyçjes 2. Disku i diamantit (më i hollë se 4 mm) 3. Disku i diamantit (4 mm ose më i trashë) 4. Flanxha e brendshme

Për modelin 115 mm / 125 mm

Kur instaloni diskun smerilues prerës:

- **Fig.15:** 1. Dado e kyçjes 2. Disku smerilues prerës (më i hollë se 4 mm) 3. Disku smerilues prerës (4 mm ose më i trashë) 4. Flanxha e brendshme

Kur instaloni diskun e diamantit:

- **Fig.16:** 1. Dado e kyçjes 2. Disku i diamantit (më i hollë se 4 mm) 3. Disku i diamantit (4 mm ose më i trashë) 4. Flanxha e brendshme

Vënia në punë me furça me kupë me tela

Aksesorë opsionalë

▲KUJDES: Kontrolloni funksionimin e furçës duke e ndezur veglën pa ngarkesë, duke u siguruar se nuk ndodhet askush përpara ose në një drejtim me furçën.

▲KUJDES: Mos përdorni furçë të dëmtuar ose jo të ekuilibruar. Përdorimi i furçës së dëmtuar mund të rrisë mundësitë për lëndime nga kontakti me telat e prishura të furçës.

- **Fig.17:** 1. Furçë me kupë me tela

Hiqni veglën nga priza dhe vendoseni me kokë poshtë duke lejuar arrijtjen e lehtë të boshtit.

Hiqni çdo aksesor nga boshti. Montoni në bosht furçën me kupë me tela dhe shtrëngojeni me çelësin e ofruar.

VINI RE: Shmangni aplikimin e presionit të tepërt që shkakton përkuljen e telave kur përdorni furçën. Kjo mund të sjellë prishje të parakohshme.

Vënia në punë me furça disku me tela

Aksesorë opsionalë

▲KUJDES: Kontrolloni funksionimin e diskut me furçë me tela duke e ndezur veglën pa ngarkesë, duke u siguruar se nuk ndodhet askush përpara ose në një drejtim me diskun me furçë me tela.

▲KUJDES: Mos përdorni disk me furçë me tela të dëmtuar ose jo të ekuilibruar. Përdorimi i diskut me furçë me tela të dëmtuar mund të rrisë mundësitë për lëndime nga kontakti me telat e prishura.

▲KUJDES: Përdorni GJITHMONË mbrojtësen për diskun me furçë me tela, duke u siguruar që diametri i diskut të përputhet brenda mbrojtëses. Disku mund të thyhet gjatë përdorimit dhe mbrojtësja ndihmon në uljen e mundësive për lëndime personale.

- **Fig.18:** 1. Furçë disku me tela

Hiqni veglën nga priza dhe vendoseni me kokë poshtë duke lejuar arrijtjen e lehtë të boshtit.

Hiqni çdo aksesor nga boshti. Filetoni në bosht diskun me furçë me tela dhe shtrëngojeni me çelës.

VINI RE: Shmangni aplikimin e presionit të tepërt që shkakton përkuljen e telave kur përdorni furçë disku me tela. Kjo mund të sjellë prishje të parakohshme.

MIRËMBAJTJA

▲KUJDES: Sigurohuni gjithnjë që vegla të jetë fikur dhe të jetë hequr nga korrenti përpara se të kryeni inspektimin apo mirëmbajtjen.

VINI RE: Mos përdorni kurrë benzinë, benzinë pastrimi, hollues, alkool dhe të ngjashme. Mund të shkaktoni çngjyrosje, deformime ose krisje.

Pastrimi i vrimave të ajrit

Vegla dhe ventilatorët e saj duhen mbajtur pastër. Pastronini rregullisht vrimat e ajrit të veglës ose kurdo që nisin të bllokohen.

- **Fig.19:** 1. Vrima e daljes 2. Vrima e hyrjes

Për të ruajtur SIGURINË dhe QËNDRUESHMËRINË, riparimet dhe çdo mirëmbajtje apo rregullim tjetër duhen kryer nga qendrat e autorizuar të shërbimit ose të shërbimit të fabrikës të Makita-s, duke përdorur gjithnjë pjesë këmbimi të Makita-s.

AKSESORË OPSIONALË

⚠️KUJDES: Këta aksesorë ose shtojca rekomandohen për përdorim me veglën Makita të përcaktuar në këtë manual. Përdorimi i aksesorëve apo shtojcave të tjera ndryshe nga këto mund të përbëjë rrezik lëndimi. Aksesorët ose shtojcat përdorini vetëm për qëllimin e tyre të përcaktuar.

Nëse keni nevojë për më shumë të dhëna në lidhje me aksesorët, pyesni qendrën vendore të shërbimit të Makita-s.

► Fig.20

-	Modeli 100 mm	Modeli 115 mm	Modeli 125 mm
1	Mbjajtësja 36		
2	Mbrojtësja e diskut (për disqet lëmues)		
3	Flanxha e brendshme	Flanxha e brendshme / Super flanxha	
4	Disku me qendër të shtypur / Disku me kënd		
5	Dado e kyçjes		
6	Pllaka rezervë		
7	Disku fleksibël		
8	Pllaka e gomës 76	Pllaka e gomës 100	Pllaka e gomës 115
9	Disk smerilimi		
10	Dadoja bllokuese		
11	Furçë disku me tela		
12	Furçë me kupë me tela		
13	Mbrojtësja e diskut (për disqet prerës) *1		
14	Disku prerës smeril / Disku i diamantit		
-	Çelësi i dados së bllokimit		

SHËNIM: *1 Në disa vende evropiane, kur përdoret një disk diamanti, mund të përdoret mbrojtësja e zakonshme që mbulon të dyja anët e diskut. Ndiqni rregullat e shtetit ku ndodheni.

SHËNIM: Disa artikuj të listës mund të përfshihen në paketën e veglës si aksesorë standardë. Ato mund të ndryshojnë nga njëri shtet në tjetrin.

СПЕЦИФИКАЦИИ

Модел:	GA4030R	GA4530R	GA5030R
Диаметър на диска	100мм (4")	115мм (4-1/2")	125мм (5")
Макс. дебелина на диска	6,4мм	7,2мм	
Резба на вала	M10	M14 или 5/8" (специфично за страната)	
Номинални обороти (n)	11 000min ⁻¹		
Обща дължина	266мм		
Нето тегло	1,7кг	1,8кг	
Клас на безопасност	□/□/□		

- Поради нашата непрекъсната научно-развойна дейност посочените тук спецификации могат да бъдат променени без предизвестие.
- Спецификациите може да са различни в различните държави.
- Тегло съгласно метода EPTA 01/2003

Предназначение

Този инструмент е предназначен за шлайфане, шлифоване и рязане на метал и камък без използване на вода.

Захранване

Инструментът трябва да се включва само към захранване със същото напрежение, като посоченото на фирмената табелка и работи само с монофазно променливо напрежение. Той е с двойна изолация и затова може да се включва и в контакти без заземяване.

Шум

Обичайното ниво на шума с тегловен коефициент A, определено съгласно EN60745:

Ниво на звуково налягане (L_{pA}): 85 dB(A)

Ниво на звукова мощност (L_{WA}): 96 dB (A)

Коефициент на неопределеност (K): 3 dB(A)

▲ ПРЕДУПРЕЖДЕНИЕ: Използвайте предпазни средства за слуха.

Вибрации

Общата стойност на вибрациите (сума от три осови вектора), определена съгласно EN60745:

Модел GA4030R

Работен режим: шлайфане на повърхности

Ниво на вибрациите ($a_{h,AG}$): 7,0 м/с²

Коефициент на неопределеност (K): 1,5 м/с²

Работен режим: дисково шлифоване

Ниво на вибрациите ($a_{h,DS}$): 2,5 м/с² или по-малко

Коефициент на неопределеност (K): 1,5 м/с²

Модел GA4530R

Работен режим: шлайфане на повърхности

Ниво на вибрациите ($a_{h,AG}$): 7,5 м/с²

Коефициент на неопределеност (K): 1,5 м/с²

Работен режим: дисково шлифоване

Ниво на вибрациите ($a_{h,DS}$): 2,5 м/с² или по-малко

Коефициент на неопределеност (K): 1,5 м/с²

Модел GA5030R

Работен режим: шлайфане на повърхности

Ниво на вибрациите ($a_{h,AG}$): 8,5 м/с²

Коефициент на неопределеност (K): 1,5 м/с²

Работен режим: дисково шлифоване

Ниво на вибрациите ($a_{h,DS}$): 2,5 м/с² или по-малко

Коефициент на неопределеност (K): 1,5 м/с²

ЗАБЕЛЕЖКА: Обявеното ниво на вибрациите е измерено в съответствие със стандартни методи за изпитване и може да се използва за сравняване на инструменти.

ЗАБЕЛЕЖКА: Освен това обявеното ниво на вибрациите може да се използва за предварителна оценка на вредното въздействие.

▲ ПРЕДУПРЕЖДЕНИЕ: Нивото на вибрациите при работа с електрическият инструмент може да се различава от обявената стойност в зависимост от начина на използване на инструмента.

▲ ПРЕДУПРЕЖДЕНИЕ: Задължително определете предпазни мерки за защита на оператора въз основа на оценка на риска в реални работни условия (като се вземат предвид всички съставни части на работния цикъл, като например момента на изключване на инструмента, работата на празен ход, както и времето на задействане).

▲ ПРЕДУПРЕЖДЕНИЕ: Обявеното ниво на вибрациите се използва за основните приложения на електрическият инструмент. Ако обаче инструментът се използва за други приложения, нивото на вибрациите може да е различно.

ЕО декларация за съответствие

Само за европейските страни

ЕО декларацията за съответствие е включена като Анекс А към тази инструкция за употреба.

Общи предупреждения за безопасност при работа с електрически инструменти

⚠ ПРЕДУПРЕЖДЕНИЕ: Прочетете всички предупреждения за безопасност и всички инструкции. При неспазване на предупрежденията и инструкциите има опасност от токов удар, пожар и/или тежко нараняване.

Запазете всички предупреждения и инструкции за справка в бъдеще.

Терминът "електрически инструмент" в предупрежденията се отнася за вашия инструмент (с кабел за включване в мрежата) или работещ на батерии (безжичен) електрически инструмент.

Предупреждения за безопасност при работа с инструмент за шлифоване

Общи предупреждения за безопасност при шлайфане, шлифоване, почистване с телена четка и рязане с абразивен диск:

1. Този електрически инструмент е предназначен да работи като инструмент за шлайфане, шлифоване, почистване с телена четка или за рязане с абразивен диск. Прочетете всички предупреждения, инструкции, илюстрации и спецификации за безопасността, предоставени с този електрически инструмент. При неспазване на изброените по-долу инструкции има опасност от токов удар, пожар и/или тежко нараняване.
2. Не се препоръчва използване на този електрически инструмент за операции като полиране. Операции, за които електрическият инструмент не е предназначен, могат да бъдат опасни и да доведат до нараняване.
3. Не използвайте принадлежности, които не са специално предназначени и препоръчани от производителя на инструмента. Това, че дадена принадлежност може да бъде закрепена към инструмента, не осигурява безопасната му работа.
4. Номиналната скорост на принадлежностите трябва да е най-малко равна на максималната скорост, означена на инструмента. Принадлежностите, които се въртят със скорост, по-висока от номиналната, могат да се счупят и да се разлетят на парчета.
5. Външният диаметър и дебелината на вашите принадлежности трябва да отговарят на номиналния капацитет на вашия електрически инструмент. Неправилно оразмерените принадлежности не могат да бъдат добре защитени или контролирани.

6. Резбовите монтажни отвори на принадлежностите трябва да отговарят на резбата на шпиндела на шлайфмашината. За монтажните чрез фланци принадлежности монтажните отвори на принадлежностите трябва да отговарят на центриращия диаметър на фланеца. Тези принадлежности, които не отговарят на монтажните елементи на електрическия инструмент, ще работят дебалансирано и могат да причинят загуба на контрол.
7. Не използвайте повредени принадлежности. Преди всяко използване проверявайте принадлежностите, например абразивните шайби за отчупвания и пукнатини, опорните подложки за пукнатини, скъсване или прекомерно износване, а телените четки – за слаби или начупени телове. В случай на изпускане на инструмента или на някоя принадлежност ги проверете за повреда или монтирайте принадлежност, която не е повредена. След като огледате и поставите принадлежността, застанете заедно с хората около вас извън равнината на въртящата се принадлежност и включете инструмента на максимални обороти без натоварване в продължение на една минута. Ако принадлежността е повредена, тя ще се счупи по време на това изпитание.
8. Използвайте лични предпазни средства. В зависимост от вида на приложението използвайте маска за лице или предпазни очила. При необходимост използвайте маска за прах, антифони, ръкавици и работна престилка, които да могат да ви предпазят от малки абразивни частици или парченца от обработвания детайл. Предпазните средства за очите трябва да могат да спрат летящи отпадъци, създадени при различни операции. Маската за прах или дихателният апарат трябва да могат да филтрират твърдите частици, образувани по време на работа. Продължителното излагане на силен шум може да причини загуба на слуха.
9. Страничните лица трябва да стоят на безопасно разстояние от работната зона. Всеки, който влиза в работната зона, трябва да използва лични предпазни средства. Парчета от обработвания детайл или от счупена принадлежност могат да изхвърчат и да причинят наранявания извън непосредствената зона на работа.
10. Дръжте електрическия инструмент само за изолираните и нехлъзгави повърхности, когато има опасност инструментът да допре в скрити кабели или в собствения си захранващ кабел. Ако режещата принадлежност докосне проводник под напрежение, токът може да премине през металните части на електрическия инструмент и да причини „електрически удар“ на работещия.

11. **Дръжете захранващия кабел далеч от въртящата се принадлежност.** Ако изгубите контрол, кабелът може да бъде прерязан или скъсан, а ръката ви може да бъде повлечена от въртящата се принадлежност.
12. **Не оставяйте електрическия инструмент на земята, докато принадлежността не спре напълно да се върти.** Въртящата се принадлежност може да захване повърхността и да издърпа инструмента от ръцете ви.
13. **Не работете с електрическия инструмент, като го държите от страни до тялото си.** При случаен допир с въртящата се принадлежност дрехите ви може да се разкъсат и да придърпат принадлежността към вашето тяло.
14. **Редовно почиствайте вентилационните отвори на инструмента.** Вентилаторът на двигателя засмуква прах в корпуса на инструмента, а натрупването на метален прах може да доведе до опасност от електрическа повреда.
15. **Не използвайте електрическия инструмент в близост до леснозапалими материали.** Искрите могат да запалят тези материали.
16. **Не използвайте принадлежности, за които се изисква водно охлаждане.** Използването на вода или други охлаждащи течности може да доведе до токов удар и дори до смърт.

Обратен удар и съответни предупреждения

Обратният удар е внезапна реакция на прищипан или нащърбен въртящ се диск, опорна подложка, четка или друга принадлежност. Прищипването или нащърбването причинява бързо спиране на въртящата се принадлежност, която от своя страна завърта неконтролируемо електрическия инструмент в посока, обратна на въртенето на принадлежността, в точката на захващане. Например, ако абразивната шайба е нащърбена или преципана от обработвания детайл, ръбът, който влиза в точката на прищипване, може да навлезе в повърхността на материала, от което шайбата да изскочи нагоре или да се получи обратен удар. Шайбата може да отскочи към оператора или встрани от него в зависимост от посоката на движение на шайбата в точката на прищипване. В такава ситуация абразивната шайба може и да се счупи. Обратният удар е следствие от неправилната употреба на електрическия инструмент и/или неспазване на реда и условията за работа и може да бъде избегнат при спазване на посочените по-долу предпазни мерки.

1. **Дръжете здраво инструмента и разположете тялото и ръката си така, че да можете да устоите на силите на обратния удар. Ако има допълнителна ръкохватка, я използвайте задължително, за да овладеете максимално обратния удар или завъртането при пускане.** Операторът може да овладее завъртането или силите на обратен удар, ако вземе подходящите предпазни мерки.
2. **Не поставяйте ръката си близо до въртящата се принадлежност.** Възможно е да възникне обратен удар на принадлежността към ръката ви.
3. **Не разполагайте тялото си в зоната, към която инструментът ще отскочи в случай на обратен удар.** Обратният удар изхвърля инструмента в посока, обратна на тази на въртенето на диска, в точката на нащърбване.

4. **Работете с повишено внимание при обработване на ъгли, остри ръбове и др. подобни. Не позволявайте на принадлежността да подскача или да се нащърбва.** Ъглите, острите ръбове и подскачането са предпоставки за нащърбване на въртящата се принадлежност и загуба на контрол или обратен удар.
5. **Не поставяйте нож за дървообработка за верижен трион или циркулярен диск със зъби.** Такива дискове често водят до обратен удар и загуба на контрол.

Специфични предупреждения за безопасност при шлифование и рязане с абразивен диск:

1. **Използвайте само дискове, препоръчани за вашия електрически инструмент и специалните предпазители за избрания вид диск.** Дискове, за които инструментът не е предназначен, не могат да бъдат добре защитени и не са безопасни.
2. **Шлайфащите повърхности на дисковете с вдлъбнати центрове трябва да се монтират под равнината на ръба на предпазителя.** Неправилно монтирания диск, който се показва през равнината на ръба на предпазителя, не може да бъде добре защитен.
3. **Предпазителят трябва да е здраво закрепен за електрическия инструмент и разположен така, че да осигурява максимална безопасност, тъй че колкото може по-малка част от диска да е открита към оператора.** Предпазителят пази оператора от парчета при счупване на диска, от случаен допир до диска и от искри, които биха могли да подпалят дрехите.
4. **Дисковете трябва да се използват само за тези приложения, за които са предназначени. Например: не трябва да се шлифова с плоската страна на абразивен диск за рязане.** Абразивните дискове за рязане са предназначени за периферно шлифование и прилагането на странично действащи сили може да доведе до счупването им на парчета.
5. **Използвайте само закрепващи фланци без повреди и с точните размери и форма за избрания диск.** Правилните закрепващи фланци на диска осигуряват опора на диска и така намаляват опасността от счупване на диска. Фланците за дисковете за рязане може да се различават от фланците за шайбите за шлифование.
6. **Не използвайте износени дискове за шлифование от по-големи електрически инструменти.** Дисковете, предназначени за по-големи инструменти, не са подходящи за високите обороти на малкия инструмент и могат да се пръснат на парчета.

Допълнителни предупреждения за безопасност при рязане с абразивен диск:

1. **Не „заклинвайте“ диска за рязане и не упражнявайте прекомерен натиск. Не се опитвайте да режете прекалено дълбоко.** Прекомерният натиск върху диска увеличава натоварването и вероятността за усукване или задиране на диска в прореза, както и тази за обратен удар или счупване на диска.
2. **Не разполагайте тялото си на една линия с въртящия се диск и зад него.** Когато дискът, в точката на обработване, се отдалечава от тялото, евентуалният обратен удар може да изстреля въртящия се диск и инструмента право към вас.

3. Ако дискът задере или прекъснете рязането по друга причина, изключете инструмента и го задръжте неподвижен, докато дискът спре да се върти окончателно. Не се опитвайте да извадите диска за рязане от прореза, докато все още се върти, защото това може да доведе до обратен удар. Огледайте мястото и вземете необходимите мерки, за да отстраните причината за задирането на диска.
4. Не подновявайте рязането, докато дискът е в допир с обработвания детайл. Изчакайте дискът да достигне пълни обороти и тогава внимателно го вкарайте в прореза. Дискът може да задере, да излезе или да произведе обратен удар, ако инструментът бъде включен отново, докато е в допир с обработвания детайл.
5. Подпирайте панели и други обемисти детайли за обработване, за да сведете до минимум опасността от прищипване или обратен удар от диска. Големите обработвани детайли често се огъват под собствената си тежест. Подпорите се слагат под обработвания детайл, близо до линията на рязане и близо до ръба на детайла, от двете страни на диска.
6. Бъдете особено предпазливи, когато режете в стена или друга повърхност, през която не се вижда. Стърчащият диск може да среже газови или водопроводни тръби, електрически кабел или предмет, който да причини обратен удар.

Специфични предупреждения за безопасност при шлифовъчни операции:

1. Не използвайте прекалено големи дискове за шлифване от шкурка. Следвайте съветите на производителя при избора на шкурка. Големите дискове за шлифване от шкурка, които използват извън подложката за шлифване, представляват опасност от разкъсване и могат да причинят задиране, скъсване на диска или обратен удар.

Специфични предупреждения за безопасност при почистване с телена четка:

1. Имайте предвид, че телове падат от четката дори при нормална работа. Не натискайте прекалено силно теловете, като упражнявате голямо натоварване върху четката. Теловете лесно могат да проникнат през тънки дрехи и/или през кожата.
2. Ако при почистване с телена четка се препоръчва използването на предпазител, не позволявайте теленият диск или четката да докосват предпазителя. Диаметърът на теленият диск или четка може да се увеличи поради работното натоварване или от центробежните сили.

Допълнителни предупреждения за безопасност:

1. Ако използвате дискове за шлифване с вдлъбнат център, използвайте само дискове, подсилени със стъклопласт.
2. НЕ използвайте чашковидни каменни дискове с този инструмент за шлифване. Инструментът за шлифване не е предназначен за такъв тип дискове и използването им може да доведе до тежко нараняване.
3. Внимавайте да не повредите вала, фланеца (особено монтажната повърхност) или фиксиращата гайка. Повреждането на тези части може да доведе до счупване на диска.

4. Уверете се, че дискът не докосва детайла за обработване, преди да включите инструмента.
5. Преди да пристъпите към обработка на детайл, оставете инструмента да поработи известно време. Следете за вибрации или трептения, които може да сочат, че дискът не е добре поставен или е неправилно балансиран.
6. Използвайте указаната повърхност на диска, за да шлайфате.
7. Не оставяйте инструмента да работи без надзор. Инструментът трябва да работи само когато го държите с ръце.
8. Не докосвайте детайла непосредствено след обработка, защото може да е много горещ и да изгори кожата ви.
9. Спазвайте инструкциите на производителя за правилен монтаж и използване на дисковете. Работете с дисковете и ги съхранявайте внимателно.
10. Не използвайте отделни редуциращи втулки или адаптери за пригаждане на абразивни шайби с големи отвори.
11. Използвайте само фланци, предназначени за този инструмент.
12. При инструменти, предназначени за работа с дискове с отвор с резба, проверете дали резбата на диска е достатъчна, за да влезе целия вал.
13. Проверете дали детайлът за обработване е закрепен стабилно.
14. Внимавайте, защото дискът продължава да се върти след изключването на инструмента.
15. В случай че работното място е много горещо и влажно или силно замърсено с прах, който е проводник на ток, използвайте захранване с дефектнотокова защита (30 mA), за да осигурите безопасността на оператора.
16. Не използвайте инструмента върху материали, съдържащи азбест.
17. Когато използвате дискове за рязане, винаги работете с монтиран прахосъбирателен предпазител на диска съгласно местната нормативна уредба.
18. Дисковете за рязане не трябва да се подлагат на страничен натиск.
19. Не използвайте платнени работни ръкавици по време на работа. В инструмента могат да влязат влакна от платнените ръкавици, което да доведе до повреда на инструмента.

ЗАПАЗЕТЕ НАСТОЯЩИТЕ ИНСТРУКЦИИ.

▲ ПРЕДУПРЕЖДЕНИЕ: НЕ позволявайте комфорта от познаването на продукта (придобит при дългата му употреба) да замени стриктното спазване на правилата за безопасност за въпросния продукт. НЕПРАВИЛНАТА УПОТРЕБА и неспазването на правилата за безопасност, посочени в настоящото ръководство за експлоатация, могат да доведат до тежки наранявания.

ОПИСАНИЕ НА ФУНКЦИИТЕ

⚠ВНИМАНИЕ: Винаги проверявайте дали инструментът е изключен от бутона и от контакта, преди да регулирате или проверявате функция на инструмента.

Палец за блокиране на вала

Натиснете палеца за блокиране на вала, за да възпрепятствате въртенето му, когато поставяте или сваляте принадлежности.

► **Фиг.1:** 1. Палец за блокиране на вала

БЕЛЕЖКА: Никога не задействайте палеца за блокиране на вала, когато валът се върти. Инструментът може да се повреди.

Включване

⚠ВНИМАНИЕ: Преди да включите инструмента в контакта, винаги проверявайте дали плъзгачият превключвател работи нормално и се връща в положение „OFF“ (Изкл.), при натискане на задния му край.

⚠ВНИМАНИЕ: Превключвателят може да се заключва в положение „ON“ (Вкл.) за удобство на оператора и комфорт при продължителна работа. Внимавайте, когато заключвате инструмента в положение „ON“ (Вкл.) и продължавайте да го държите здраво.

За да включите инструмента, плъзнете плъзгача към положение „I“ (Вкл.), като натиснете задния край на плъзгача. За непрекъсната работа натиснете предния край на плъзгача, за да го блокирате.

За да изключите инструмента, натиснете задния край на плъзгачия превключвател и после го плъзнете към положение „O“ (Изкл.).

► **Фиг.2:** 1. Плъзгач превключвател

Защита против неволно повторно пускане

Инструментът не заработва с блокиран прекъсвач дори при включване в контакта.

За да изключите защитата против неволно повторно пускане, върнете прекъсвача на захранването в положение OFF (ИЗКЛ.).

ЗАБЕЛЕЖКА: Когато е задействана защитата неволно повторно пускане, изчакайте повече от една секунда, преди да пуснете отново инструмента.

ЗАБЕЛЕЖКА: Когато инструментът е претоварен и температурата на инструмента достигне определено ниво, той може да спре автоматично. При такава ситуация оставете инструмента да се охлади, преди да го включите отново.

Функция за плавно пускане

Функцията за плавно пускане намалява тласъка при стартиране.

СГЛОБЯВАНЕ

⚠ВНИМАНИЕ: Преди да извършвате някакви работи по инструмента, винаги се уверявайте, че той е изключен от бутона и от контакта.

Монтиране на страничната ръкохватка (дръжка)

⚠ВНИМАНИЕ: Преди да започнете работа проверете дали страничната ръкохватка е закрепена здраво.

Завийте здраво страничната ръкохватка на показаното на фигурата място от инструмента.

► **Фиг.3**

Поставяне или сваляне на предпазителя (за диск с вдлъбнат център, ламелен диск, гъвкав диск, кръгла телена четка/ абразивен диск за рязане, диамантен диск)

⚠ПРЕДУПРЕЖДЕНИЕ: При използване на диск с вдлъбнат център, ламелен диск, гъвкав диск или кръгла телена четка, предпазителят на диска трябва да бъде поставен на инструмента, така че затворената страна на предпазителя винаги да е обърната към оператора.

⚠ПРЕДУПРЕЖДЕНИЕ: Когато използвате абразивен диск за рязане/диамантен диск, използвайте само предпазители, предназначени за ползване с дискове за рязане.

(В някои държави-членки на ЕС при използване на диамантен диск може да се ползва обикновеният предпазител. Спазвайте законовите разпоредби във вашата страна.)

За инструмент с предпазител на диска от типа блокиращ винт

Монтирайте предпазителя на диска с изпъкналата страна на лентата на предпазителя, подравнена към белезите на лагерната кутия. След това завъртете предпазителя на диска под такъв ъгъл, че да предпазва оператора според вида на работата. Затегнете винта здраво.

За да свалите предпазителя на диска, изпълнете процедурата за монтаж в обратен ред.

► **Фиг.4:** 1. Предпазител на диска 2. Лагерна кутия 3. Винт

За инструмент с предпазител на диска от типа лост за затягане

Разхлабете винта и после дръпнете лоста по посока на стрелката. Монтирайте предпазителя на диска с изъкналата страна на лентата на предпазителя, подравнена към белезите на лагерната кутия. След това завъртете предпазителя на диска под такъв ъгъл, че да предпазва оператора според вида на работата.

► **Фиг.5:** 1. Предпазител на диска 2. Лагерна кутия 3. Винт 4. Лост

Дръпнете лоста по посока на стрелката. След това притегнете предпазителя на диска чрез затягане на винта. Затегнете винта здраво. Ъгълът на предпазителя на диска може да се регулира чрез лоста.

► **Фиг.6:** 1. Винт 2. Лост

За да свалите предпазителя на диска, изпълнете процедурата за монтаж в обратен ред.

Поставяне или сваляне на диск с вдлъбнат център или ламелен диск

Допълнителни аксесоари

▲ ПРЕДУПРЕЖДЕНИЕ: При използване на диск с вдлъбнат център или ламелен диск предпазителят за диска трябва да бъде поставен на инструмента, така че затворената страна на предпазителя винаги да е обърната към оператора.

▲ ВНИМАНИЕ: Уверете се, че дали монтажната част на вътрешния фланец пасва идеално към вътрешния диаметър на диска с вдлъбнат център/ламелния диск. Монтирането на вътрешния фланец на неправилната страна може да доведе до опасни вибрации.

Сложете вътрешния фланец на вретеното. Уверете се, че сте нагласили назъбената част на вътрешния фланец на правата част от долната страна на вретеното.

Сложете диска с вдлъбнат център/ламелния диск на вътрешния фланец и завийте фиксиращата гайка на шпиндела.

► **Фиг.7:** 1. Фиксираща гайка 2. Диск с вдлъбнат център 3. Вътрешен фланец 4. Монтажна част

За да затегнете фиксиращата гайка, натиснете палеца за блокиране на вала здраво, така че валът да не може да се върти и след това затегнете добре по посока на часовниковата стрелка с помощта на ключа за фиксиращата гайка.

► **Фиг.8:** 1. Ключ за фиксираща гайка 2. Палец за блокиране на вала

За да свалите гъвкавия диск, изпълнете процедурата за монтаж в обратен ред.

Супер фланец

Допълнителни аксесоари

Само за инструменти с резба M14 на шпиндела.

Моделите, означени с буквата F, са серийно оборудвани със Супер фланец. За освобождаване на фиксиращата гайка спрямо конвенционалния тип е необходимо е едва 1/3 от усилието.

Поставяне и сваляне на гъвкавия диск

Допълнителни аксесоари

▲ ПРЕДУПРЕЖДЕНИЕ: Винаги използвайте доставения предпазител, когато върху инструмента е поставен гъвкав диск. По време на работа дискът може да се разбие на парчета, а предпазителят намалява вероятността за нараняване.

► **Фиг.9:** 1. Фиксираща гайка 2. Гъвкав диск 3. Опорна подложка 4. Вътрешен фланец

Следвайте указанията за диск с вдлъбнат център, но също използвайте опорна подложка над диска. Вижте последователността за сглобяване на страницата за принадлежности в настоящото ръководство.

Монтаж или демонтаж на абразивния диск

Допълнителни аксесоари

► **Фиг.10:** 1. Фиксираща гайка за абразивни дискове 2. Абразивен диск 3. Гумената подложка

1. Монтирайте гумената подложка на шпиндела.
2. Сложете диска над гумената подложка и завийте шмиргеловата фиксираща гайка на вретеното.

3. Задръжте шпиндела с палеца за блокиране на вала и затегнете здраво шмиргеловата фиксиращата гайка с гаечен ключ по часовниковата стрелка.

За да свалите диска, изпълнете процедурата за монтаж в обратен ред.

ЗАБЕЛЕЖКА: Използвайте посочените в настоящото ръководство принадлежности за шлифване. Те се закупуват отделно.

Експлоатация

▲ ПРЕДУПРЕЖДЕНИЕ: Никога не трябва да се налага да насилвате инструмента. Самото тегло на инструмента прилага достатъчен натиск. Насилването и прекомерният натиск могат да доведат до опасно счупване на диска.

▲ ПРЕДУПРЕЖДЕНИЕ: **ЗАДЪЛЖИТЕЛНО сменете диска, ако изпуснете инструмента по време на шлифование.**

▲ ПРЕДУПРЕЖДЕНИЕ: **НИКОГА** не удряйте с диска за шлифование по обработвания детайл.

▲ ПРЕДУПРЕЖДЕНИЕ: Не позволявайте на диска да подскача или да се нащърбва, особено когато обработвате ъгли, остри ръбове и др. Това може да доведе до загуба на контрол и обратен удар.

▲ ПРЕДУПРЕЖДЕНИЕ: **НИКОГА** не използвайте инструмента с дискове за рязане на дърво и други циркулярни дискове. Когато се използват с ъглошлайф, тези дискове често отскачат и водят до загуба на контрол и нараняване.

▲ ВНИМАНИЕ: Не включвайте инструмента, когато е в контакт с детайла, защото има опасност от нараняване на оператора.

▲ ВНИМАНИЕ: По време на работа задължително носете предпазни очила или маска за лицето.

▲ ВНИМАНИЕ: След приключване на работа изключете инструмента и изчакайте дискът да спре окончателно, преди да го оставите на земята.

▲ ВНИМАНИЕ: **ВИНАГИ** дръжте инструмента здраво с едната ръка за корпуса, а с другата – за страничната ръкохватка (дръжка).

Шлайфане и шлифование

► Фиг.11

Включете инструмента и след това допрете диска до детайла за обработване. Общо взето дръжте ръба на диска под ъгъл от около 15° спрямо повърхността на обработваемия детайл. През периода на разрабтане на нов диск не работете с ъглошлайфа в посока напред, иначе ще се вреже в обработваемия детайл. Когато ръбът на диска е окръглен от използване, с диска може да се работи както в посока напред, така и в посока назад.

Работа с абразивен диск за рязане/диамантен диск

Допълнителни аксесоари

▲ ПРЕДУПРЕЖДЕНИЕ: Когато използвате абразивен диск за рязане/диамантен диск, използвайте само предпазители, предназначени за ползване с дискове за рязане.

(В някои държави-членки на ЕС при използване на диамантен диск може да се ползва обикновеният предпазител. Спазвайте законовите разпоредби във вашата страна.)

▲ ПРЕДУПРЕЖДЕНИЕ: **НИКОГА** не използвайте диск за рязане за странично шлайфане.

▲ ПРЕДУПРЕЖДЕНИЕ: Не „заклинвайте“ диска и не упражнявайте прекален натиск. Не се опитвайте да режете прекалено дълбоко. Прекомерният натиск върху диска увеличава натоварването и вероятността дискът да се усуче или да задере в разреза, както и вероятността от обратен удар, счупване на диска и преграване на двигателя.

▲ ПРЕДУПРЕЖДЕНИЕ: Не започвайте да режете с диск, опрян на детайла за обработване. Изчакайте диска да достигне пълни обороти и внимателно го вкарвайте в среза, като движите инструмента напред по повърхността на детайла за обработване. Дискът може да задере, да излезе или да произведе обратен удар, ако инструментът бъде включен, докато е в допир с обработвания детайл.

▲ ПРЕДУПРЕЖДЕНИЕ: Не променяйте ъгъла на диска по време на рязане. Упражняването на страничен натиск върху диска за рязане (като при шлайфане) ще доведе до спукване и счупване на диска и тежко нараняване.

▲ ПРЕДУПРЕЖДЕНИЕ: Диамантените дискове трябва да се държат перпендикулярно на материала, който се реже.

► Фиг.12: 1. Фиксираща гайка 2. Абразивен диск за рязане/диамантен диск 3. Вътрешен фланец 4. Предпазител за абразивен диск за рязане/диамантен диск

За монтажа следвайте указанията за диск с вдлъбнат център.

Посоката за монтиране на фиксиращата гайка и вътрешния фланец зависи от дебелината на диска.

Вижте следващите фигури.

За модел 100 мм (4")

Когато монтирате абразивни дискове за рязане:

► Фиг.13: 1. Фиксираща гайка 2. Абразивен диск за рязане (по-тънък от 4 мм (5/32")) 3. Абразивен диск за рязане (4 мм (5/32")) или по-дебел 4. Вътрешен фланец

Когато монтирате диамантен диск:

► Фиг.14: 1. Фиксираща гайка 2. Диамантен диск (по-тънък от 4 мм (5/32")) 3. Диамантен диск (4 мм (5/32")) или по-дебел 4. Вътрешен фланец

За модел 115 мм (4 – 1/2")/125 мм (5")

Когато монтирате абразивни дискове за рязане:

- Фиг.15: 1. Фиксираща гайка 2. Абразивен диск за рязане (по-тънък от 4 мм (5/32")) 3. Абразивен диск за рязане (4 мм (5/32")) или по-дебел) 4. Вътрешен фланец

Когато монтирате диамантен диск:

- Фиг.16: 1. Фиксираща гайка 2. Диамантен диск (по-тънък от 4 мм (5/32")) 3. Диамантен диск (4 мм (5/32")) или по-дебел) 4. Вътрешен фланец

Работа с телена четка

Допълнителни аксесоари

⚠ВНИМАНИЕ: Проверете работата на четката чрез включване на инструмента без товар, след като сте се уверили, че няма никого пред или до четката.

⚠ВНИМАНИЕ: Не използвайте четка, която е повредена или дебалансирана. При използване на повредена четка се увеличава опасността от нараняване от откъснати телчета.

- Фиг.17: 1. Телена четка

Изключете инструмента от контакта и го оставете обърнат на земята, за да достигате лесно вретеното. Махнете принадлежностите от вала. Завийте чашковидната телена четка върху вала и я затегнете с предоставения ключ.

БЕЛЕЖКА: Не прекалявайте с натиска, понеже това предизвиква прекомерно огъване на телете при работа с четката. Това може да доведе до преждевременното им отчупване.

Работа с кръгла телена четка

Допълнителни аксесоари

⚠ВНИМАНИЕ: Проверете дали кръглата телена четка работи, като включите инструмента без товар, след като сте се уверили, че няма никого пред или до четката.

⚠ВНИМАНИЕ: Не използвайте кръгла телена четка, която е повредена или едностранно износена. При използване на повредена кръгла телена четка се увеличава опасността от нараняване от откъснати телчета.

⚠ВНИМАНИЕ: Винаги използвайте предпазител при работа с кръгла телена четка, като диаметърът на диска на четката трябва да се покрива от предпазителя. По време на работа дискът може да се разбие на парчета, а предпазителят намалява вероятността за нараняване.

- Фиг.18: 1. Кръгла телена четка

Изключете инструмента от контакта и го оставете обърнат на земята, за да достигате лесно вретеното. Махнете принадлежностите от вала. Завийте кръглата телена четка върху вала и затегнете с ключовете.

БЕЛЕЖКА: Не прекалявайте с натиска, понеже това предизвиква прекомерно огъване на телете при работа с кръглата телена четка. Това може да доведе до преждевременното им отчупване.

ПОДДРЪЖКА

⚠ВНИМАНИЕ: Винаги проверявайте дали инструментът е изключен от прекъсвача и от контакта преди извършване на проверка или поддръжка на инструмента.

БЕЛЕЖКА: Не използвайте бензин, нафта, разредител, спирт и др. подобни. Това може да причини обезцветяване, деформация или пукнатини.

Почистване на вентилационните отвори

Инструментът и неговите вентилационни отвори трябва да се поддържат чисти. Почиствайте вентилационните отвори на инструмента редовно или когато започнат да се запушват.

- Фиг.19: 1. Изходящ вентилационен отвор
2. Входящ вентилационен отвор

За да се поддържа БЕЗОПАСНОСТТА и НАДЕЖДНОСТТА на продукта, ремонтите, поддръжката или регулирането трябва да се извършват от упълномощен сервиз или фабрични сервизни центрове на Makita, като винаги трябва да използвате резервни части от Makita.

ДОПЪЛНИТЕЛНИ АКСЕСОАРИ

⚠ ВНИМАНИЕ: Препоръчва се използването на тези аксесоари или накрайници с вашия инструмент Makita, описан в настоящото ръководство. Използването на други аксесоари или накрайници може да доведе до опасност от телесни повреди. Използвайте съответния аксесоар или накрайник само по предназначение.

Ако имате нужда от помощ за повече подробности относно тези аксесоари, се обърнете към местния сервизен център на Makita.

► Фиг.20

-	Модел 100 мм (4")	Модел 115 мм (4-1/2")	Модел 125 мм (5")
1	Ръкохватка 36		
2	Предпазител за диска (за диск за шлифоване)		
3	Вътрешен фланец	Вътрешен фланец/Супер фланец	
4	Диск с вдлъбнат център/Ламелен диск		
5	Фиксираща гайка		
6	Опорна подложка		
7	Гъвкав диск		
8	Гумена подложка 76	Гумена подложка 100	Гумена подложка 115
9	Абразивен диск		
10	Фиксираща гайка за абразивни дискове		
11	Кръгла телена четка		
12	Телена четка		
13	Предпазител за диска (за диск за рязане) *1		
14	Абразивен диск за рязане/диамантен диск		
-	Ключ за фиксираща гайка		

ЗАБЕЛЕЖКА: *1 Когато в Европейските страни се използва диамантен диск, вместо специалния предпазител покриващ и двете страни на диска може да се използва обикновения предпазител. Спазвайте законовите разпоредби във вашата страна.

ЗАБЕЛЕЖКА: Някои артикули от списъка може да са включени в комплекта на инструмента, като стандартни аксесоари. Те може да са различни в различните държави.

SPECIFIKACIJE

Model:	GA4030R	GA4530R	GA5030R
Promjer ploče	100 mm (4")	115 mm (4-1/2")	125 mm (5")
Maks. debljina ploče	6,4 mm	7,2 mm	
Navoj vretena	M10	M14 ili 5/8" (ovisno o zemlji)	
Nazivna brzina (n)	11.000 min ⁻¹		
Ukupna dužina	266 mm		
Neto težina	1,7 kg	1,8 kg	
Sigurnosna klasa	□/II		

- Zahvaljujući našem stalnom programu razvoja i istraživanja, navedene specifikacije podložne su promjenama bez obavijesti.
- Specifikacije mogu biti različite ovisno o zemlji.
- Težina prema postupku EPTA 01/2003

Namjena

Alat je namijenjen za brušenje, fino brušenje i rezanje u metalu i kamenu bez korištenja vode.

Električno napajanje

Alat se smije priključiti samo na električno napajanje s naponom istim kao na nazivnoj pločici i smije raditi samo s jednofaznim izmjeničnim napajanjem. Dvostruko su izolirani pa se mogu rabiti i iz utičnica bez uzemnog užeta.

Buka

Tipična jačina buke označena s A, određena sukladno EN60745:

Razina tlaka zvuka (L_{pA}): 85 dB (A)
 Razina snage zvuka (L_{WA}): 96 dB (A)
 Neodređenost (K): 3 dB (A)

⚠ UPOZORENJE: Nosite zaštitu za uši.

Vibracija

Ukupna vrijednost vibracija (troosni vektorski zbir) izračunata u skladu s EN60745:

Model GA4030R

Način rada: brušenje površine
 Emisija vibracija ($a_{h,AG}$): 7,0 m/s²
 Neodređenost (K): 1,5 m/s²
 Način rada: brušenje diskom
 Emisija vibracija ($a_{h,DS}$): 2,5 m/s² ili manje
 Neodređenost (K): 1,5 m/s²

Model GA4530R

Način rada: brušenje površine
 Emisija vibracija ($a_{h,AG}$): 7,5 m/s²
 Neodređenost (K): 1,5 m/s²
 Način rada: brušenje diskom
 Emisija vibracija ($a_{h,DS}$): 2,5 m/s² ili manje
 Neodređenost (K): 1,5 m/s²

Model GA5030R

Način rada: brušenje površine
 Emisija vibracija ($a_{h,AG}$): 8,5 m/s²
 Neodređenost (K): 1,5 m/s²
 Način rada: brušenje diskom
 Emisija vibracija ($a_{h,DS}$): 2,5 m/s² ili manje
 Neodređenost (K): 1,5 m/s²

NAPOMENA: Deklarirana vrijednost emisije vibracija izmjerena je prema standardnoj metodi testiranja i može se rabiti za usporedbu jednog alata s drugim.

NAPOMENA: Deklarirana vrijednost emisije vibracija također se može rabiti za preliminarnu procjenu izloženosti.

⚠ UPOZORENJE: Emisija vibracija tijekom stvarnog korištenja električnog ručnog alata se može razlikovati od deklarirane vrijednosti emisije, ovisno o načinu na koji se alat rabi.

⚠ UPOZORENJE: Nemojte zaboraviti da identifikirate sigurnosne mjere zaštite rukovatelja koje se temelje na procjeni izloženosti u stvarnim uvjetima korištenja (uzimajući u obzir sve dijelove radnog ciklusa, poput vremena kada je alat isključen i kada on radi u praznom hodu, a također i vrijeme okidanja).

⚠ UPOZORENJE: Deklarirana vrijednost emisije vibracija se rabi kod glavnih primjena električnog ručnog alata. Međutim, ako se električni ručni alat koristi za druge primjene, vrijednost emisije vibracija se može razlikovati.

Izjava o sukladnosti EZ

Samo za države članice Europske unije

Izjava o sukladnosti EZ u prilogu je Priloga A ovih uputa za upotrebu.

Opća sigurnosna upozorenja za električne ručne alate

⚠ UPOZORENJE: Pročitajte sva sigurnosna upozorenja i sve upute. Nepridržavanje upozorenja ili uputa može rezultirati strujnim udarom, požarom i/ili ozbiljnom ozljedom.

Sačuvajte sva upozorenja i upute radi kasnijeg korištenja.

Pojam „električni alat“ u upozorenjima odnosi se na električni (kabelski) alat uključen u struju ili na bežične električne alate (na baterije).

Sigurnosna upozorenja za brusilicu

Sigurnosna upozorenja zajednička za brušenje, fino brušenje, čišćenje žičanom četkom ili operacije abrazivnog rezanja:

- 1. Ovaj električni ručni alat namijenjen je za uporabu kao brusilica, fina brusilica, žičana četka ili rezni alat. Pročitajte sva sigurnosna upozorenja, upute, ilustracije i specifikacije priložene uz ovaj električni ručni alat.** Nepridržavanje svih uputa navedenih u nastavku može rezultirati strujnim udarom, požarom i/ili ozbiljnom ozljedom.
- 2. Ne preporučujemo izvođenje postupaka poput poliranja s ovim električnim ručnim alatom.** Radnje za koje električni alat nije namijenjen mogu stvoriti opasnost i prouzročiti ozljede.
- 3. Nemojte rabiti dodatke koji nisu izričito nije dizajnirao i preporučio proizvođač.** Samo zato što se dodatak može montirati na vaš električni ručni alat ne znači da je zajamčen siguran rad.
- 4. Nazivna brzina dodatka mora biti najmanje jednaka maksimalnoj brzini navednoj na električnom ručnom alatu.** Dodaci koji rade brže od nazivne brzine mogu se slomiti i dijelovi se mogu razletjeti naokolo.
- 5. Vanjski promjer i debljina dodataka mora odgovarati nazivnom kapacitetu električnog alata.** Neispravni dodaci ne mogu se primjereno zaštititi ni kontrolirati.
- 6. Dodaci koji se montiraju na navoj moraju se podudarati s navojem vretena na brusilici.** Ako montirate dodatke na prirubnice, otvor za trn na dodatku mora odgovarati vodećem promjeru prirubnice. Dodaci koji ne odgovaraju priboru za montažu električnog ručnog alata bit će izbačeni iz ravnoteže, previse će vibrirati i mogu uzrokovati gubitak kontrole.
- 7. Ne rabite oštećene dodatke. Prije svake uporabe provjerite dodatke, primjerice ima li na abrazivnim pločama krhotine i pukotina, ima li na podlošku pukotina, kidanja ili prekomjerne istrošenosti, je li žičana četka te ima olabavljene ili prekinute žice. Ako vam električni ručni alat ili dodatak ispadne, provjerite ima li oštećenja ili postavite neoštećeni dodatak. Nakon provjere i postavljanja dodatka odmaknite se i udaljite promatrače od ravnine rotirajućeg pribora i pustite električni ručni alat da jednu minutu radi bez opterećenja pri maksimalnoj brzini. Oštećeni dodaci obično se slome tijekom ovog testa.**
- 8. Nosite osobnu zaštitnu opremu. Ovisno o primjeni koristite štitnik za lice, zaštitu za oči ili zaštitne naočale. Ako je potrebno, nosite masku za prašinu, zaštitu za uši, rukavice i radioničku pregaču koja može zaustaviti male abrazivne djelice ili djelice izratka. Zaštita za oči mora zaustaviti leteće krhotine koje su moguće pri izvođenju brojnih zadataka. Zaštita za oči mora zaustaviti leteće krhotine nastale uslijed raznih radnji. Dulja izloženost jakoj buci može prouzročiti gubitak sluha.**
- 9. Držite druge osobe na sigurnoj udaljenosti od radnog područja. Svako tko uđe u radno područje mora nositi osobnu zaštitnu opremu.** Djelici izratka ili polomljenog dodatka mogu odletjeti i prouzročiti ozljede izvan neposrednog radnog područja.
- 10. Držite električni ručni alat samo za izolirane rukohvatne površine kada izvodite rednje tijekom kojih rezni dodatak može doći u doticaj sa skrivenim žicama ili vlastitim kabelom.** Rezni dodatak koji dođe u doticaj s vodičem pod naponom može dovesti pod napon izložene metalne dijelove električnog alata i rukovatelj može pretrpjeti strujni udar.
- 11. Kabel postavite daleko od rotirajućeg dodatka.** Ako izgubite kontrolu, kabel se može prekinuti ili zakačiti, a vašu šaku ili ruku može zahvatiti rotirajući dodatak.
- 12. Nikada ne spuštajte električni ručni alat sve dok se dodatak potpuno ne zaustavi.** Rotirajući dodatak može zahvatiti površinu i električni ručni alat se može oteći vašoj kontroli.
- 13. Nemojte uključivati električni ručni alat dok ga nosite pored sebe.** Slučajni dodir s rotirajućim dodatkom može zahvatiti vašu odjeću, povlačeći dodatak prema vašem tijelu.
- 14. Redovito čistite ventilacijske otvore električnog ručnog alata.** Ventilator motora će uvući prašinu u kućište, a prekomjerno nakupljanje metalne prašine predstavlja opasnost od strujnog udara.
- 15. Ne radite s električnim ručnim alatom u blizini zapaljivih materijala.** Iskre mogu zapaliti te materijale.
- 16. Ne rabite dodatke koji zahtijevaju rashladne tekućine.** Korištenje vode ili drugih rashladnih tekućina može rezultirati smrću ili šokom uslijed strujnog udara.

Povratni udar i povezana upozorenja

Povratni udar je trenutna reakcija na priklještenu ili zaglavljenu rotirajuću ploču, podlošku, četku ili bilo koji drugi dodatak. Priklještenje ili zaglavljivanje uzrokuje brzo zaustavljanje rotirajućeg dodatka, što opet dovodi do prinudnog okretanja električnog ručnog alata u smjeru suprotnom od smjera okretanja dodatka u točki spajanja.

Ako je, primjerice, izradak zaglavio ili priklještio abrazivnu ploču, rub ploče koji ulazi u točku priklještenja može se ukopati u površinu materijala, što će dovesti do iskakanja ili izbacivanja ploče. Ploča može skočiti prema rukovatelju ili odskočiti od njega, ovisno o smjeru kretanja ploče u točki priklještenja. Abrazivne bi se ploče pod tim okolnostima mogle i slomiti.

Povratni udar rezultat je pogrešne uporabe električnog ručnog alata i/ili nepravilnih radnih postupaka ili uvjeta i može se spriječiti poduzimanjem prikladnih mjera opreza kao što je navedeno u nastavku.

1. **Čvrsto držite električni ručni alat, a svoje tijelo ili ruku namjestite tako da možete izdržati sile povratnog udara.** Uvijek koristite pomoćnu ruku, ako postoji, radi maksimalne kontrole povratnog udara ili reakcije uslijed torzionog momenta tijekom pokretanja. Rukovatelj može kontrolirati reakcije uslijed torzionog momenta ili sile povratnog udara ako poduzme prikladne mjere opreza.
2. **Nikada ne stavljajte ruku blizu rotirajućeg dodatka.** Može doći do odbačaja dodatka unatrag preko vaše ruke.
3. **Tijelo držite podalje od područja gdje bi se električni ručni alat mogao pokrenuti ako dođe do povratnog udara.** Povratni udar gurnut će alat u smjeru suprotnom od kretanja ploče u točki zaglavljivanja.
4. **Budite posebno oprezni kada obrađujete kutove, oštre rubove, itd. Spriječite odskakanje i zaglavljivanje dodatka.** Kutovi, oštri rubovi ili odskakanje mogu zaglaviti rotirajući dodatak i prouzročiti gubitak kontrole ili povratni udar.
5. **Nemojte montirati list za rezarenje drveta za lančane pile niti nazubljeni list pile.** Takvi listovi dovode do čestih povratnih udara i gubitka kontrole.

Sigurnosna upozorenja specifična za brušenje i abrazivno rezanje:

1. **Rabite samo one vrste ploča koje su preporučene za vaš električni ručni alat i poseban štitnik za odabranu ploču.** Ploče koje nisu predviđene za upotrebu s alatom ne mogu se zaštititi na odgovarajući način i nisu sigurne.
2. **Brusna površina koljenastih ploča mora se montirati ispod ravnine ruba štitnika.** Neispravno montirana ploča koja strši kroz ravninu ruba štitnika ne može se primjereno zaštititi.
3. **Štitnik se mora čvrsto montirati na električni ručni alat i namjestiti tako da bude maksimalno siguran, tako da najmanji dio ploče bude izložen prema rukovatelju.** Štitnik pomaže rukovatelju da se zaštiti od odlomljenih dijelica ploče, slučajnog dodirivanja ploče i iskri koje bi mogle zapaliti odjeću.
4. **Ploče se smiju koristiti samo za preporučene primjene.** Primjerice: nemojte brusiti bočnom stranom rezne ploče. Abrazivne rezne ploče namijenjene su perifernom brušenju, a bočne sile koje djeluju na ove ploče mogu uzrokovati njihov lom.
5. **Uvijek rabite neoštećene prirubnice ploča ispravnog promjera za odabranu ploču.** Ispravne prirubnice ploča podupiru ploče, smanjujući mogućnost njihovog pucanja. Prirubnice za rezne ploče mogu se razlikovati od prirubnica brusnih ploča.

6. **Ne upotrebljavajte istrošene ploče s većih električnih ručnih alata.** Ploče namijenjene većim električnim ručnim alatima nisu prikladne za veću brzinu manjeg alata i mogu puknuti.

Dodatna sigurnosna upozorenja specifična za abrazivno rezanje:

1. **Nemojte „zaglavljivati“ reznu ploču niti primjenjivati prekomjerni pritisak. Nemojte pokušavati napraviti preduboki rez.** Prekomjerno naprezanje ploče povećava opterećenje i osjetljivost na uvijanje ili zaglavljivanje ploče u rezu, kao i mogućnost povratnog udara ili pucanja ploče.
2. **Tijelo nemojte držati u ravnini niti iza rotirajuće ploče.** Ako se ploča u trenutku rada udaljava od vašeg tijela, mogući povratni udar može gurnuti rotirajuću ploču naprijed i gurnuti električni ručni alat direktno na vas.
3. **Kada se ploča zaglavi ili se rezanje iz nekog razloga prekine, isključite električni ručni alat i držite ga u nepokretnom stanju sve dok se ploča u potpunosti ne zaustavi. Nikada nemojte pokušavati vaditi ploču iz reza dok se rezna ploča okreće jer može doći do povratnog udara.** Ispitajte i poduzmite korektivnu mjeru kako biste otklonili uzrok zaglavljivanja ploče.
4. **Nemojte ponovno pokretati postupak rezanja na izratku. Pustite ploču da dostigne punu brzinu i oprezno ponovno krenite rezati.** Ako se električni ručni alat ponovno pokrene u izratku, ploča se može zaglaviti, podići ili napraviti povratni udar.
5. **Poduprite ploče i svaki veći izradak kako biste minimizirali rizik od priklještenja i povratnog udara.** Veliki izratci često popuštaju pod vlastitom težinom. Ispod izratka, blizu linije reza i blizu ruba izratka na obje strane ploče moraju se postaviti potpore.
6. **Budite posebno oprezni kada režete „džepove“ u postojećim zidovima ili drugim slijepim površinama.** Prodiruća ploča može prerezati cijevi za plin i vodu, električne žice ili predmete koji mogu prouzročiti povratni udar.

Sigurnosna upozorenja specifična za fino brušenje:

1. **Nemojte koristiti preveliki brusni papir za disk. Pri odabiru brusnog papira slijedite preporuke proizvođača.** Veći brusni papir koji strši izvan podloška za brušenje predstavlja opasnost od cijepanja i može prouzročiti zaglavljivanje, kidanje diska ili povratni udar.

Sigurnosna upozorenja specifična za radnje koje se obavljaju žičanom četkom:

1. **Imajte na umu da s četke ispadaju čekinje čak i tijekom običnog rada. Nemojte previše naprezati žice prekomjernim opterećivanjem četke.** Žičane čekinje mogu lako probiti tanku odjeću i/ili kožu.
2. **Ako se za rad pomoću žičane četke preporučuje štitnik, pazite da štitnik ne ometa ploču ili četku.** Promjer žičane ploče ili četke može se povećati uslijed radnog opterećenja i centrifugalnih sila.

Dodatna sigurnosna upozorenja:

1. **Ako koristite koljenaste brusne ploče, obvezno koristite samo ploče od ojačanih staklenih vlakana.**

2. **NE KORISTITE** ploče tipa kamene šalice s ovom brusilicom. Ova brusilica nije namijenjena za te tipove ploča i korištenje takvog proizvoda može rezultirati ozbiljnim ozljedama.
3. Pazite da ne oštetite vreteno, prirubnicu (posebno instalacijsku površinu) ili sigurnosnu maticu. Oštećenje tih dijelova može uzrokovati pucanje ploče.
4. Prije uključivanja sklopke provjerite dodiruje li ploča izradak.
5. Prije nego što upotrijebite alat na stvarnom izratku, pustite ga da radi neko vrijeme. Obratite pažnju na vibraciju ili ljuljanje koje bi moglo ukazivati na lošu instalaciju ili loše balansiranu ploču.
6. Rabite navedenu površinu ploče za brušenje.
7. Ne ostavljajte alat da radi. Alatom radite isključivo držeći ga u ruci.
8. Ne dodirujte izradak odmah nakon rada; može biti izuzetno vruć i mogao bi vas opečiti.
9. Slijedite upute proizvođača za pravilnu montažu i uporabu ploča. Pozorno rukujte i skladištite ploče.
10. Ne koristite čahure ili adaptere za redukciju za podešavanje abrazivnih ploča s velikim otvorom.
11. Koristite samo prirubnice propisane za ovaj alat.
12. Za alate koji trebaju biti opremljeni pločom s navojnim otvorom provjerite je li navoj ploče dovoljno dug za dotično vreteno.
13. Provjerite je li izradak pravilno podložen.
14. Imajte na umu da se ploča i dalje okreće nakon isključivanja alata.
15. Ako je radno mjesto iznimno vruće i vlažno ili puno prašine koja provodi električnu energiju, upotrijebite kratkospojnu učinsku sklopku (30 mA) kako rukovateljeva sigurnost ne bi bila ugrožena.
16. Ne koristite alat na materijalima koji sadrže azbest.
17. Kada koristite reznu ploču, uvijek radite sa štitnikom ploče protiv prašine sukladno lokalnim zakonskim propisima.
18. Rezni diskovi ne smiju se bočno pritiskati.
19. Nemojte nositi platnene rukavice tijekom rada. Vlakna iz platnenih rukavica mogu ući u alat, što uzrokuje pucanje alata.

ČUVAJTE OVE UPUTE.

▲ UPOZORENJE: NEMOJTE dozvoliti da udobnost ili znanje o proizvodu (stečeno stalnim korištenjem) zamijene strogo pridržavanje sigurnosnih propisa za određeni proizvod. ZLOUPORABA ili nepridržavanje sigurnosnih propisa navedenih u ovom priručniku s uputama mogu prouzročiti ozbiljne ozljede.

FUNKCIONALNI OPIS

▲ OPREZ: Prije podešavanja ili provjere rada alata obavezno provjerite je li stroj isključen i je li kabel iskopčan.

Blokada vretena

Pritisnite blokadu vretena kako se vreteno ne bi okretalo kada postavljate ili skidate dodatnu opremu.

► **SI.1:** 1. Blokada vretena

NAPOMENA: Nikada nemojte aktivirati blokadu vretena dok vreteno radi. Može se oštetiti alat.

Uključivanje i isključivanje

▲ OPREZ: Prije priključivanja alata na električnu mrežu uvijek provjerite vraća li se klizni prekidač u položaj za isključivanje „OFF” kad pritisnete stražnju stranu kliznog prekidača.

▲ OPREZ: Prekidač se može zaključati u uključenom položaju „ON” kako bi korisniku bilo udobnije koristiti alat tijekom duljeg vremena. Budite oprezni kada zaključavate alat u uključenom položaju „ON” i cijelo ga vrijeme čvrsto držite.

Da biste pokrenuli alat, pomaknite klizni prekidač u položaj za uključivanje „I (ON)” pritiskanjem njegove stražnje strane. Za neprekidni rad pritisnite prednju stranu kliznog prekidača da biste ga zaključali.

Da biste zaustavili alat, pritisnite stražnju stranu kliznog prekidača, a zatim ga gurnite u položaj za isključivanje „O (OFF)”.

► **SI.2:** 1. Klizni prekidač

Zaštita od nehotičnog pokretanja

Alat se ne pokreće kad je prekidač u položaju za blokiranje, čak i kad je alat priključen u struju.

Za isključenje zaštite od nehotičnog pokretanja vratite uključeno/isključnu sklopku u položaj za isključivanje OFF.

NAPOMENA: Ako je funkcija zaštite od nehotičnog pokretanja uključena, pričekajte minutu prije ponovnog pokretanja alata.

NAPOMENA: Kada je alat preopterećen i kaad temperatura alata dosegne određenu razinu, alat se automatski zaustavlja. U tom slučaju prije ponovnog uključivanja pričekajte da se alat ohladi.

Značajka mekog pokretanja (soft-start)

Značajka mekog pokretanja smanjuje reagiranje pri pokretanju.

MONTAŽA

⚠ OPREZ: Prije svakog zahvata alat obavezno isključite, a priključni kabel iskopčajte iz utičnice.

Postavljanje bočnog rukohvata (ručke)

⚠ OPREZ: Prije rada uvijek provjerite je li bočni rukohvat sigurno postavljen.

Bočni rukohvat dobro učvrstite na alatu u položaj prikazan na slici.

► SI.3

Postavljanje ili skidanje štitnika ploče (za koljenastu brusnu ploču, lepezasti disk, savitljivu ploču, četku sa žičanom pločom / abrazivnu reznu ploču, dijamantnu ploču)

⚠ UPOZORENJE: Kada koristite koljenastu brusnu ploču, lepezasti disk, savitljivu ploču ili četku sa žičanom pločom, štitnik ploče mora biti pričvršćen na alat tako da je zatvorena strana štitnika uvijek usmjerena prema rukovatelju.

⚠ UPOZORENJE: Pri upotrebi abrazivne rezne/dijamantne ploče rabite isključivo poseban štitnik namijenjen za uporabu s brusnim pločama.

(U nekim europskim zemljama, kada koristite dijamantnu ploču, možete upotrijebiti običan štitnik. Pridržavajte se propisa važećih u vašoj zemlji.)

Za alat sa štitnikom ploče sa zabavnim vijkom

Postavite štitnik ploče s izbočinama na traku štitnika ploče koja je poravnat s urezima na kućištu ležaja. Nakon toga okrenite štitnik za onoliko stupnjeva koliko može štiti rukovatelja, ovisno o radu. Obavezno čvrsto zategnite vijak.

Za uklanjanje štitnika učinite isto obrnutim redoslijedom.

► SI.4: 1. Štitnik ploče 2. Kućište ležaja 3. Vijak

Za alat sa štitnikom koluta u obliku poluge za stezanje

Otpustite vijak pa povucite ručicu u smjeru strelice. Postavite štitnik ploče s izbočinama na traku štitnika ploče koja je poravnat s urezima na kućištu ležaja. Nakon toga okrenite štitnik za onoliko stupnjeva koliko može štiti rukovatelja, ovisno o radu.

► SI.5: 1. Štitnik ploče 2. Kućište ležaja 3. Vijak 4. Ručica

Povucite ručicu u smjeru strelice. Zatim zategnete štitnik ploče pričvršćivanjem vijka. Obavezno čvrsto zategnite vijak. Kut štitnika ploče možete podešavati pomoću ručice.

► SI.6: 1. Vijak 2. Ručica

Za uklanjanje štitnika učinite isto obrnutim redoslijedom.

Postavljanje ili uklanjanje koljenaste brusne ploče ili lepezastog diska

Dodatni pribor

⚠ UPOZORENJE: Kad se koristi koljenasta brusna ploča ili lepezasti disk, štitnik ploče mora biti pričvršćen na alat tako da je zatvorena strana uvijek usmjerena prema rukovatelju.

⚠ OPREZ: Pobrinite se da montažni dio unutarnje prirubnice savršeno odgovara unutarnjem promjeru koljenaste brusne ploče/lepezastog diska. Montaža unutarnje prirubnice na pogrešnoj strani može dovesti do opasnih vibracija.

Postavite unutarnju prirubnicu na vreteno. Obavezno postavite udubljeni dio unutarnje prirubnice na ravni dio na dno vretena. Namjestite koljenastu ploču/lepezasti disk na unutarnju prirubnicu i zavijte sigurnosnu maticu na vreteno.

► SI.7: 1. Sigurnosna matica 2. Koljenasta brusna ploča 3. Unutarnja prirubnica 4. Montažni dio

Da biste zategnuli sigurnosnu maticu, čvrsto pritisnite gumb za blokadu vretena tako da se vratilo ne može okretati, a zatim ključem čvrsto zategnite sigurnosnu maticu u smjeru kazaljke na satu.

► SI.8: 1. Ključ za sigurnosnu maticu 2. Blokada vretena

Za skidanje ploče učinite isto obrnutim redoslijedom.

Superprirubnica

Dodatni pribor

Samo za alate s navojem vretena M14.

Modeli sa slovom F standardno su opremljeni sa super prirubnicom. Potrebno je uložiti samo trećinu snage kako bi se otpustila sigurnosna matica za razliku od uobičajenih vrsta alata.

Postavljanje ili uklanjanje savitljive ploče

Dodatni pribor

⚠ UPOZORENJE: Uvijek koristite isporučeni štitnik kada je savitljiva ploča na alatu. Ploča se tijekom uporabe može razbiti, a štitnici pomažu da se smanji mogućnost osobnih ozljeda.

► SI.9: 1. Sigurnosna matica 2. Savitljiva ploča 3. Podloška 4. Unutarnja prirubnica

Slijedite upute za koljenastu brusnu ploču, ali preko ploče stavite i podlošku. Potražite redoslijed sastavljanja na stranici s priborom u ovom priručniku.

Postavljanje ili uklanjanje abrazivnog diska

Dodatni pribor

► SI.10: 1. Sigurnosna matica za brušenje 2. Abrazivni disk 3. Gumena podloška

1. Postavite gumenu podlošku na vreteno.

2. Namjestite disk na gumenu podlošku i zategnite brusnu sigurnosnu maticu na vreteno.

3. Držite vratilo u blokadi vretena i čvrsto zategnite sigurnosnu maticu za brušenje u smjeru kazaljke na satu ključem za sigurnosne matice.

Za uklanjanje ploče učinito isto što i za postavljanje, ali obrnutim redoslijedom.

NAPOMENA: Koristite isključivo dodatke za brušenje nevedene u ovom priručniku. Mora se kupiti zasebno.

RAD

⚠ UPOZORENJE: Zabranjena je primjena sile na alat. Težina alata osigurava odgovarajući pritisak. U slučaju pretjeranog pritiska postoji opasnost od pucanja ploče.

⚠ UPOZORENJE: UVIJEK zamijenite ploču ako tijekom brušenja isпустite alat.

⚠ UPOZORENJE: Brusnom pločom ili diskom **NE SMIJETE** udarati o izradak.

⚠ UPOZORENJE: Vodite računa da ploča ne odskoči ili da se ne okrhne, osobito pri obradi kutova, oštirih rubova, itd. To može uzrokovati gubitak kontrole i povratni udar.

⚠ UPOZORENJE: NIKAD ne koristite alat s listovima pile za rezanje drveta i drugim listovima pile. Kada se takvi listovi upotrijebe na brusilici, izazivaju česte povratne udarce i gubitak kontrole.

⚠ OPREZ: Ne uključujte alat dok je doticaju s izradkom jer to može uzrokovati ozljede rukovatelja.

⚠ OPREZ: Uvijek nosite zaštitne naočale ili štitnik za lice tijekom rada.

⚠ OPREZ: Nakon završetka rada, uvijek isključite alat i pričekajte dok se potpuno ne zaustavi prije nego što ga odložite.

⚠ OPREZ: Alat UVIJEK čvrsto držite jednom rukom za kućište i drugom za bočni rukohvat (ručku).

Oštrenje i poliranje

► SI.11

Uključite alat, a zatim postavite ploču ili disk na izradak. Držite rub brusne ploče ili diska pod kutom od oko 15° u odnosu na površinu izratka.

Tijekom razdoblja prilagodbe s novom pločom ne koristite brusilicu u smjeru prema naprijed jer će zarezati izradak. Kada se rub brusne ploče zbog uporabe zaočkruži, ploču možete rabiti i u smjeru prema naprijed i u smjeru unatrag.

Rad s abrazivnom reznom/dijamantnom pločom

Dodatni pribor

⚠ UPOZORENJE: Pri upotrebi abrazivne rezne/dijamantne ploče rabite isključivo poseban štitnik namijenjen za uporabu s brusnim pločama.

(U nekim europskim zemljama, kada koristite dijamantnu ploču, možete upotrijebiti običan štitnik. Pridržavajte se propisa važećih u vašoj zemlji.)

⚠ UPOZORENJE: NIKAD nemojte rabiti brusnu ploču za bočno brušenje.

⚠ UPOZORENJE: Nemojte „zaglavljivati“ ploču niti primjenjivati prekomjerni pritisak. Nemojte pokušavati napraviti preduboki rez. Prekomjerno naprezanje povećava opterećenje i osjetljivost na uvijanje ili zaglavljivanje ploče pri rezanju, kao i mogućnost povratnog udara, pucanja ploče i pregrijavanja motora.

⚠ UPOZORENJE: Nemojte ponovno pokretati postupak rezanja na izratku. Pustite da ploča dostigne punu brzinu i pažljivo započnite rezati pomičući alat naprijed preko površine izratka. Ako se električni alat pokrene u izratku, ploča se može saviti, podići ili vratiti unatrag.

⚠ UPOZORENJE: Tijekom postupaka rezanja, nikada nemojte mijenjati kut brusne ploče. Primjena bočnog pritiska na brusnu ploču (kao prilikom brušenja) uzrokuje pucanje i lomljenje ploče te ozbiljne tjelesne ozljede.

⚠ UPOZORENJE: Dijamantna ploča mora se postaviti okomito na materijal koji se reže.

► SI.12: 1. Sigurnosna matica 2. Abrazivna rezna ploča/dijamantna ploča 3. Unutarnja prirubnica 4. Štitnik ploče za abrazivnu reznu ploču/dijamantnu ploču

Za postavljanje slijedite upute za koljenastu brusnu ploču.

Smjer postavljanja sigurnosne matice i unutarnje prirubnice razlikuje se ovisno o debljini brusne ploče.

Pogledajte slike u nastavku.

Za model od 100 mm

Prilikom postavljanja abrazivne rezne ploče:

► SI.13: 1. Sigurnosna matica 2. Abrazivna rezna ploča (tanja od 4 mm) 3. Abrazivna rezna ploča (4 mm ili deblja) 4. Unutarnja prirubnica

Prilikom postavljanja dijamantne ploče:

► SI.14: 1. Sigurnosna matica 2. Dijamantna ploča (tanja od 4 mm) 3. Dijamantna ploča (4 mm ili deblja) 4. Unutarnja prirubnica

Za model od 115 mm/125 mm

Prilikom postavljanja abrazivne rezne ploče:

► SI.15: 1. Sigurnosna matica 2. Abrazivna rezna ploča (tanja od 4 mm) 3. Abrazivna rezna ploča (4 mm ili deblja) 4. Unutarnja prirubnica

Prilikom postavljanja dijamantne ploče:

- **SI.16:** 1. Sigurnosna matica 2. Dijamantna ploča (tanja od 4 mm) 3. Dijamantna ploča (4 mm ili deblja) 4. Unutarnja prirubnica

Rad sa žičanom četkom

Dodatni pribor

▲ OPREZ: Provjerite ispravnost četke pokretanjem alata bez opterećenja i pazite da ispred i iza četke nema nikoga.

▲ OPREZ: Nemojte koristiti četku koja je oštećena ili koja nije balansirana. Uporaba oštećene četke može povećati mogućnost ozljeda uslijed doticaja sa slomljenim žicama četke.

- **SI.17:** 1. Žičana četka u obliku stošca

Isključite alat i postavite ga naopako da biste lako pristupili vretenu.

Uklonite sve dodatke s vretena. Umetnite žičanu četku u obliku stošca na vreteno i zategnite je isporučenim ključem.

NAPOMENA: Ne pritišćite previše jer bi se tako mogle iskriviti žice prilikom upotrebe četke. To može prouzročiti preuranjeno pucanje.

Rad sa četkom sa žičanom pločom

Dodatni pribor

▲ OPREZ: Provjerite ispravnost četke sa žičanom pločom pokretanjem alata bez opterećenja i pazite da ispred i iza četke nema nikoga.

▲ OPREZ: Nemojte koristiti četku sa žičanom pločom koja je oštećena ili koja nije balansirana. Uporaba oštećene četke sa žičanom pločom može povećati mogućnost ozljeda uslijed doticaja sa slomljenim žicama četke.

▲ OPREZ: Za četku sa žičanom pločom **UVIJEK** koristite štitičnik i provjerite da se promjer kotača odgovara štitičniku. Ploča se tijekom uporabe može razbiti, a štitičnici pomažu da se smanji mogućnost osobnih ozljeda.

- **SI.18:** 1. Žičana četka

Isključite alat i postavite ga naopako da biste lako pristupili vretenu.

Uklonite sve dodatke s vretena. Upletite četku sa žičanom pločom na vreteno i zategnite ključevima.

NAPOMENA: Ne pritišćite previše jer bi se tako mogle iskriviti žice prilikom upotrebe četke sa žičanom pločom. To može prouzročiti preuranjeno pucanje.

ODRŽAVANJE

▲ OPREZ: Uvijek isključite i odspojite alat iz utičnice prije obavljanja pregleda ili održavanja.

NAPOMENA: Nikada nemojte koristiti benzin, mješavinu benzina, razrjeđivač, alkohol ili slično. Kao rezultat toga može se izgubiti boja, pojaviti deformacija ili pukotine.

Čišćenje ventilacijskih otvora

Alat i njegovi ventilacijski otvori se moraju držati čistim. Redovito čistite ventilacijske otvore ili kad god se otvori začepe.

- **SI.19:** 1. Ispušni otvor 2. Usisni otvor

Da biste zadržali **SIGURNOST** I **POUZDANOST** proizvoda, održavanje ili namještanja trebali biste prepustiti ovlaštenim servisnim ili tvorničkim centrima tvrtke Makita; uvijek rabite originalne rezervne dijelove.

DODATNI PRIBOR

⚠ OPREZ: Ovaj dodatni pribor ili priključci preporučuju se samo za upotrebu s alatom Makita navedenim u ovom priručniku. Upotreba bilo kojeg drugog dodatnog pribora ili priključaka može prouzročiti ozljede. Upotrebjavajte dodatni pribor ili priključak samo za njegovu navedenu svrhu.

Ako vam je potrebna pomoć za više detalja u pogledu ovih dodatnih pribora, obratite se najbližem Makita servisnom centru.

► **SI.20**

-	Model od 100 mm	Model od 115 mm	Model od 125 mm
1	Ručka 36		
2	Štitnik ploče (za brusnu ploču)		
3	Unutarnja prirubnica	Unutarnja prirubnica/superprirubnica	
4	Koljenasta ploča/lepezasti disk		
5	Sigurnosna matica		
6	Podloška		
7	Savitljiva ploča		
8	Gumena podloška 76	Gumena podloška 100	Gumena podloška 115
9	Abrazivni disk		
10	Sigurnosna matica za brušenje		
11	Žičana četka		
12	Žičana četka u obliku stošca		
13	Štitnik ploče (za reznu ploču) *1		
14	Abrazivna rezna ploča/dijamantna ploča		
-	Ključ za sigurnosnu maticu		

NAPOMENA: *1 U nekim se Europskim zemljama prilikom upotrebe dijamantne ploče može koristiti običan štitnik umjesto posebnog štitnika koji prekriva obje strane ploče. Pridržavajte se propisa važećih u vašoj zemlji.

NAPOMENA: Neke stavke iz popisa se mogu isporučiti zajedno sa strojem kao standardni dodatni pribori. Oni mogu biti različiti ovisno o zemlji.

СПЕЦИФИКАЦИИ

Модел:	GA4030R	GA4530R	GA5030R
Дијаметар на тркало	100 мм (4")	115 мм (4-1/2")	125 мм (5")
Макс. дебелина на тркалото	6,4 мм	7,2 мм	
Навој на вретеното	M10	M14 или 5/8" (во зависност од земјата)	
Номинална брзина (n)	11.000 мин. ⁻¹		
Вкупна должина	266 мм		
Нето тежина	1,7 кг	1,8 кг	
Класа на безбедност	□/II		

- Поради нашата континуирана програма за истражување и развој, спецификациите тука подлежат на промена без најава.
- Спецификациите може да се разликуваат од држава до држава.
- Тежина во согласност со постапката на ЕРТА 01/2003

Наменета употреба

Алатот е наменет за брусење, стругање и сечење метал и камен без користење вода.

Напојување

Алатот треба да се поврзува само со напојување со ист напон како што е назначено на плочката и може да работи само на еднофазна наизменична струја. Алатот е двојно изолиран и може да се користи и со приклучоци што не се заземјени.

Бучава

Типична А-вредност за ниво на бучавата одредена во согласност со EN60745:

Ниво на звучниот притисок (L_{pA}) : 85 dB (A)

Ниво на јачина на звукот (L_{WA}) : 96 dB (A)

Отстапување (K): 3 dB (A)

▲ ПРЕДУПРЕДУВАЊЕ: Носете заштита за ушите.

Вибрации

Вкупна вредност на вибрациите (векторска сума на три оски) одредена во согласност со EN60745:

Модел GA4030R

Работен режим: површинско брусење

Ширење вибрации ($a_{h,AG}$): 7,0 m/s^2

Отстапување (K): 1,5 m/s^2

Работен режим: шмирглање со диск

Ширење вибрации ($a_{h,DS}$): 2,5 m/s^2 или помалку

Отстапување (K): 1,5 m/s^2

Модел GA4530R

Работен режим: површинско брусење

Ширење вибрации ($a_{h,AG}$): 7,5 m/s^2

Отстапување (K): 1,5 m/s^2

Работен режим: шмирглање со диск

Ширење вибрации ($a_{h,DS}$): 2,5 m/s^2 или помалку

Отстапување (K): 1,5 m/s^2

Модел GA5030R

Работен режим: површинско брусење

Ширење вибрации ($a_{h,AG}$): 8,5 m/s^2

Отстапување (K): 1,5 m/s^2

Работен режим: шмирглање со диск

Ширење вибрации ($a_{h,DS}$): 2,5 m/s^2 или помалку

Отстапување (K): 1,5 m/s^2

НАПОМЕНА: Номиналната јачина на вибрациите е измерена во согласност со стандардните методи за испитување и може да се користи за споредување алати.

НАПОМЕНА: Номиналната јачина на вибрациите може да се користи и како прелиминарна процена за изложеност.

▲ ПРЕДУПРЕДУВАЊЕ: Јачината на вибрациите при фактичкото користење на алатот може да се разликува од номиналната вредност, зависно од начинот на којшто се користи алатот.

▲ ПРЕДУПРЕДУВАЊЕ: Погрижете се да ги утврдите безбедносните мерки за заштита на лицето кое ракува со алатот врз основа на процена на изложеноста при фактичките услови на употреба (земајќи ги предвид сите делови на работниот циклус, како периодите кога електричниот алат е исклучен и кога работи во празен од, не само кога е активен).

▲ ПРЕДУПРЕДУВАЊЕ: Номиналната јачина на вибрациите се користи за главните намени на алатот. Меѓутоа, ако алатот се користи за други намени, јачината на вибрациите може да биде различна.

Декларација за сообразност од ЕУ

Само за земјите во Европа

Декларацијата за сообразност од ЕУ е вклучена во Додаток А од упатствата за корисникот.

Општи упатства за безбедност за електричните алати

▲ ПРЕДУПРЕДУВАЊЕ: Прочитајте ги сите безбедносни предупредувања и сите упатства. Ако не се почитуваат предупредувањата и упатствата, може да дојде до струен удар, пожар или тешки повреди.

Чувајте ги сите предупредувања и упатства за да може повторно да ги прочитате.

Под терминот „електричен алат“ во предупредувањата се мисли на вашиот електричен алат кој работи на струја (со кабел) или на батерии (безжично).

Безбедносни предупредувања за брусилката

Општи безбедносни предупредувања за брусење, стругање, четкање со жица или абразивно сечење:

1. Овој алат е наменет да се користи за брусење, стругање, четкање со жица или абразивно сечење. Прочитајте ги сите безбедносни предупредувања, упатства, илустрации и спецификации дадени со електричниот алат. Ако не се почитуваат сите упатства наведени подолу, може да дојде до струен удар, пожар и/или сериозни повреди.
2. Не се препорачува да се врши полирање со овој алат. Операциите за кои алатот не е наменет може да предизвикаат опасност и физички повреди.
3. Не користете додатоци што не се посебно одредени и препорачани од производителот на алатот. Тоа што додатокот може да се прикачи на вашиот електричен алат не значи дека е безбеден за употреба.
4. Номиналната брзина на додатокот мора да биде барем еднаква со максималната брзина означена на алатот. Додатоците што се вртат побрзо од номиналната брзина може да се скршат и да се распрскаат.
5. Надворешниот пречник и дебелината на додатокот мора да се во рамките на нормалниот капацитет на алатот. Додатоците со неправилна големина не можат соодветно да се заштитат или контролираат.
6. Монтажните додатоци со навој мора да соодветствуваат на навојот на вретеното на брусилката. За додатоци што се монтираат со фланши, отворот за прицвстување на додатокот мора да одговара на дијаметарот на фланшата. Додатоците што не одговараат на монтираниот хардвер на алатот ќе работат без рамнотежа, ќе вибрираат прекумерно и може да предизвикаат губење на контролата.

7. Не користете оштетени додатоци. Пред секоја употреба, проверете ги додатоците како што се абразивните тркала да не се скршени или напукнати, подлошките да не се напукнати, избани или истрошени, четките да нема откачени или искринати жици. Ако алатот или додатокот ви падне, проверете дали има оштетувања или ставете нештетен додаток. Откако ќе го проверите и ќе го наместите додатокот, поставете се себеси и околните лица подалеку од рамнината на вртливиот додаток и ракувајте со алатот при максимална неоптоварена брзина една минута. Оштетените додатоци обично се распаѓаат за време на овој пробен период.
8. Носете опрема за лична заштита. Зависно од примената, користете заштита за лицето, безбедносни затемнети очила или заштитни очила. Зависно од работата, носете маска за прашина, ракавици и работна престилка што може да сопре мали отпадници од брусење или стругање. Заштитата за очи треба да сопира разлетан отпад произведен од работата. Маската за прашина или респираторот треба да можат да ги филтрираат честичките што ги произведува вашата работа. Подолга изложеност на голема бучава може да предизвика оштетување на слухот.
9. Присутните лица треба да се на безбедна оддалеченост од работното подрачје. Секој што влегува во работното подрачје треба да носи заштитна опрема. Парчиња од обработуваниот материјал или од скршен додаток може да одлетаат и да предизвикаат повреди надвор од непосредното работно подрачје.
10. Држете го алатот само за изолираните држачи кога вршите работи каде што додатокот за сечење може да дојде во допир со скриени жици или сопствениот кабел. Додаток за сечење што ќе допре жица под напон може да ја пренесе струјата до металните делови на алатот и да предизвика струен удар на операторот.
11. Поставете го кабелот подалеку од вртливиот додаток. Ако изгубите контрола, кабелот може да се пресече или повлече и раката или дланката може да ви се повлечат во вртливиот додаток.
12. Не одложувајте го алатот додека додатокот не сопре сосема. Вртливиот додаток може да ја зафати површината и да го извлече алатот од контрола.
13. Алатот не смее да е вклучен додека го пренесувате. Случаен допир со вртливиот додаток може да ви ја зафати облеката и да ве повреди.

14. **Редовно чистете ги отворите за проветрување на алатот.** Вентилаторот на моторот привлекува прашина во куќиштето, а прекумерното насобирање метал во прав може да предизвика опасност од струен удар.
15. **Не ракувајте со алатот близу до запаливи материјали.** Искрите може да предизвикаат пожар.
16. **Не користете додатоци за коишто се потребни течности за ладење.** Користењето вода или друга течност за ладење може да предизвика струен удар.

Повратен удар и предупредувања

Повратен удар настанува при ненадејно заглавување или поткачување на тркало, подлошка, четка или некој друг додаток што се врти. Заглавувањето или поткачувањето предизвикува нагло сопирање на вртливиот додаток, што предизвикува губење контрола врз алатот и негово придвижување во насока спротивна од вртењето на тркалото на точката на заглавувањето. На пример, ако абразивно тркало се заглави во работниот материјал, работ на тркалото што влегува во точката на заглавувањето може да се зарие во површината на материјалот, што ќе предизвика тркалото да излезе или да отскокне. Каменот може да отскокне кон операторот или настрана од него, зависно од насоката на движење на каменот во точката на заглавување. Абразивните камења може исто така да се скршат под вакви услови. Повратниот удар е резултат од неправилна употреба на алатот и/или неправилни работни постапки и услови и може да се избегне со преземање соодветни мерки на претпазливост, како што е наведено подолу.

1. **Цврсто држете го алатот и наместете ги телото и раката, така што ќе можат да ги издржат силите од повратен удар. Секогаш користете помошна рачка, ако ја има, за максимална контрола при повратен удар или торзиска реакција за време на стартувањето.** Операторот може да ги контролира торзиските реакции и силите на повратниот удар ако се преземат соодветни мерки на претпазливост.
2. **Не ставајте ја раката близу до вртливиот додаток.** Додатокот може да се одбие преку раката.
3. **Не поставувајте го телото во подрачјето каде што алатот ќе се придвижи во случај на повратен удар.** Повратниот удар ќе го фрли алатот во насока спротивна од движењето на тркалото во точката на заглавување.
4. **Бидете особено внимателни кога работите на агли, остри рабови и сл. Избегнувајте скокање и завлекување на додатокот.** Аглите, острите рабови и отскокнувањето можат да го заглават вртливиот додаток и да предизвикаат губење контрола или повратен удар.
5. **Не ставајте сечила за дрворез или назабени сечила.** Таквите сечила често предизвикуваат повратни удари и губење контрола.

Безбедносни предупредувања специфични за брусење и абразивно сечење:

1. **Користете само типови тркала што се препорачани за вашиот алат и специфичниот штитник конструиран за избраното тркало.** Тркала за кои алатот не е конструиран не може да се заштитат соодветно и се небезбедни.
2. **Површината што се бруси на тркалата со вдлабнато средиште мора да биде монтирана под рамнината на штитникот.** Неправилно монтираното тркало што поминува низ рамнината на штитникот не може адекватно да се заштити.
3. **Штитникот мора да биде цврсто прикачен на електричниот алат и поставен за максимална безбедност, така што најмал дел на тркалото да е изложен кон операторот.** Штитникот помага да се заштити операторот од парчиња скршено тркало, случаен контакт со тркалото и искри што може да ја запалат облеката.
4. **Тркалата смеат да се користат само за препорачаните намени. На пример: не брусете со страната на тркалото за сечење.** Тркалата за абразивно сечење се наменети за периферно брусење, па страничните сили што влијаат на таквите тркала можат да ги распрскаат.
5. **Секогаш користете неоштетени фланши за тркалото што се со правилни големина и облик за избраното тркало.** Соодветните фланши за тркало го држат тркалото и со тоа ја намалуваат можноста тоа да се скрши. Фланшите за тркалата за сечење може да се различни од фланшите за брусните плочи.
6. **Не користете изабени тркала од поголеми електрични алати.** Тркалата наменети за поголеми алати не се погодни за поголемите брзини на помалите алати и може да прснат.

Дополнителни безбедносни предупредувања за абразивно сечење:

1. **Не заглавувајте го тркалото за сечење и не притискајте прекумерно. Не обидувајте се да сечете предлабоко.** Пренапрегнувањето на тркалото го зголемува оптоварувањето и можноста за извиткување или лепење на тркалото во засекот, а со тоа и можноста за повратен удар или кршење на тркалото.
2. **Не поставувајте го телото во линија со вртливото тркало или зад него.** Кога тркалото, на точката на работа, се движи подалеку од вашето тело, можниот повратен удар може да ги фрли завртеното тркало и алатот право на вас.
3. **Кога тркалото се лепа или кога сечењето се прекинува поради нешто, исклучете го алатот и држете го неподвижен додека тркалото не сопре целосно. Не обидувајте се да го извадите тркалото за сечење од резот додека тркалото се движи, инаку може да дојде до повратен удар.** Испитајте и преземете мерки за отстранување на причините за лепење на тркалото.

4. Не почнувајте со сечењето повторно додека тркалото е во работниот материјал. Оставете тркалото да достигне максимална брзина и внимателно влезете повторно во резот. Тркалото може да се залепи, да осцилира или да дојде до повратен удар ако електричниот алат се активира повторно во материјалот.
5. Прицврстете ги плочите или материјалите што се преголеми за да го намалите ризикот од заглавување на тркалото и повратен удар. Големите парчиња материјал обично се виткаат од сопствената тежина. Држачите треба да се стават под материјалот, близу до линијата на сечење и до работ на материјалот од двете страни на тркалото.
6. Бидете особено внимателни кога сазекувате во постојни ѕидови или други слепи подрачја. Тркалото, за време на навлегувањето, може да исече водоводни или цевки за плин, електрични инсталации или предмети што може да предизвикаат повратен удар.
7. Не оставајте го алатот вклучен. Работете со алатот само кога го држите в раце.
8. Не допирајте го материјалот веднаш по работата, може да е многу жежок и да ви ја изгори кожата.
9. Почитувајте ги упатствата на производителот за правилно монтирање и користење на камењата. Бидете внимателни кога ракувате со камењата и кога ги одложувате.
10. Не користете посебни редуцирачки лежишта или адаптери за да ставате абразивни тркала со голем отвор.
11. Користете само фланши наменети за овој алат.

Посебни безбедносни предупредувања за шмирглање:

1. Не користете преголем диск со шмиргла. Почитувајте ги препораките на производителот кога бирате шмиргла. Поголема шмиргла што стрчи надвор од подлогата за стругање е опасна бидејќи може да ве расече, да предизвика заглавување, кинење на дискот или повратен удар.

Посебни безбедносни предупредувања за четкање со жица:

1. Имајте предвид дека се исфрлаат жичени влакненца од четката дури и при нормална работа. Не напрегајте ги жиците со прекумерен притисок на четката. Влакната на жицата лесно може да пробијат лесна облека или кожа.
2. Ако се препорачува користење штитник за четкање со жица, не дозволувајте допир на жиченото тркало или четката со штитникот. Жиченото тркало или четката може да го зголемат пречникот поради работното оптоварување и центрифугалните сили.
3. Не користете преголем диск со шмиргла. Почитувајте ги препораките на производителот кога бирате шмиргла. Поголема шмиргла што стрчи надвор од подлогата за стругање е опасна бидејќи може да ве расече, да предизвика заглавување, кинење на дискот или повратен удар.
4. Не користете посебни редуцирачки лежишта или адаптери за да ставате абразивни тркала со голем отвор.
5. Користете само фланши наменети за овој алат.
6. За алатите на кои се ставаат тркала со отвор со навои, внимавајте навојот во тркалото да е доволно долг да ја прими должината на вретеното.
7. Проверете дали материјалот е добро прицврстен.
8. Внимавајте, тркалото продолжува да се врти по исклучување на алатот.
9. Ако работното место е крајно жешко и влажно или многу загадено со спроводливи прав, користете прекинувач за краток спој (30 mA) за безбедност на операторот.
10. Не користете го алатот ако материјалот содржи азбест.
11. Кога користите тркало за сечење, секогаш работете со штитникот за собирање прав што го бараат домашните прописи.
12. Дискот за сечење не смее да се притиска странично.
13. Не користете платнени работни ракавици при работата. Текстилните влакна од платнените ракавици може да навлезат во алатот, што предизвикува кршење на алатот.

Дополнителни безбедносни предупредувања:

1. Кога користите брусни плочи со вдлабнато средиште, користете само тркала зајакнати со армирано стакло.
2. НЕ КОРИСТЕТЕ испакнати тркала со оваа брусилка. Брусилката не е конструирана за такви видови тркала и користењето такви производи може да доведе до тешки повреди.
3. Внимавајте да не ги оштетите вретеното, фланшата (особено површината за монтирање) или навртката за стегање. Оштетувањето на тие делови може да доведе до кршење на тркалото.
4. Внимавајте каменот да не го допира материјалот пред да се вклучи прекинувачот.

ЧУВАЈТЕ ГО УПАТСТВОТО.

▲ПРЕДУПРЕДУВАЊЕ: НЕ ДОЗВОЛУВАЈТЕ удобноста или познавањето на производот (стекнати со подолга употреба) да ве наведат да не се придржувате строго до безбедносните правила за овој производ. ЗЛОУПОТРЕБАТА или непочитувањето на безбедносните правила наведени во ова упатство може да предизвикаат тешка телесна повреда.

ОПИС НА ФУНКЦИИТЕ

⚠ ВНИМАНИЕ: Пред секое дотерување или проверка на алатот, проверете дали е исклучен и откачен од струја.

Блокада на оската

Притиснете ја блокадата на оската за да спречите вртење на вретеното кога ставате или вадите додатоци.

► Сл.1: 1. Блокада на оската

ЗАБЕЛЕШКА: Не затегнувајте ја блокадата на оската кога вретеното се движи. Алатот може да се оштети.

Вклучување

⚠ ВНИМАНИЕ: Пред да го приклучите кабелот во мрежата, проверете дали лизгачкиот прекинувач функционира правилно и дали се враќа во положбата „OFF“ кога ќе се отпушти неговиот заден дел.

⚠ ВНИМАНИЕ: Прекинувачот може да биде блокиран во положбата „ON“ за поголема удобност за лицето што ракува со алатот при подолготрајна употреба. Бидете внимателни кога го блокирате алатот во положбата „ON“ и одржувајте стабилен зафат на алатот.

За да го стартувате алатот, лизнете го лизгачкиот прекинувач кон положбата „I (ON)“ (ВКЛУЧЕНО) со притискање на неговиот заден дел. За континуирано работење, притиснете го предниот дел од лизгачкиот прекинувач за да го блокирате.

За да го исклучите алатот, притиснете го задниот дел од лизгачкиот прекинувач, потоа лизнете го во положба „O (OFF)“.

► Сл.2: 1. Лизгачки прекинувач

Заштита од ненамерно рестартирање

Алатот не може да се вклучи кога прекинувачот е блокиран дури и кога алатот е поврзан на напојување.

За да ја деактивирате заштитата од ненамерно рестартирање, вратете го прекинувачот за напојување во положба OFF (ИСКЛУЧЕНО).

НАПОМЕНА: Кога несакајќи ќе го вклучите алатот, почекајте повеќе од една секунда пред да го рестартирате.

НАПОМЕНА: Кога ќе се оптовари алатот и неговата температура ќе достигне одредено ниво, тој автоматски ќе се исклучи. Во оваа ситуација, оставете го алатот да се излади пред повторно да го вклучите.

Одлика за меко стартување

Одликата за меко стартување ја намалува почетната реакција.

СОСТАВУВАЊЕ

⚠ ВНИМАНИЕ: Пред да работите нешто на алатот, проверете дали е исклучен и откачен од струја.

Местење на страничниот држач (рачка)

⚠ ВНИМАНИЕ: Секогаш проверувајте дали страничниот држач е наместен цврсто пред да работите.

Завртете го страничниот држач цврсто во положбата на алатот како што е прикажано на сликата.

► Сл.3

Ставање или вадење на штитникот за тркалото (за тркало со вдлабнато средиште, повеќеделен диск, флекси-тркало, жичена четка/тркало за абразивно сечење, дијамантско тркало)

⚠ ПРЕДУПРЕДУВАЊЕ: Кога користите тркало со вдлабнато средиште, повеќеделен диск, флекси-тркало или тркало со жичена четка, штитникот за тркалото треба да се монтира на алатот, така што затворената страна на штитникот да биде свртена кон операторот.

⚠ ПРЕДУПРЕДУВАЊЕ: Кога користите тркало за абразивно сечење/дијамантско тркало, внимавајте да го користите само специјалниот штитник конструиран за тркалата за сечење.

(Во некои европски земји може да се користи и обичниот штитник при користење на дијамантските тркала. Почитувајте ги прописите во земјата.)

За алат со штитник за тркалото со завртка

Монтирајте го штитникот за тркалото со испакнатините на лентата на штитникот за тркалото порамнета со жлебовите на кутијата на лежиштето. Потоа, свртете го штитникот на тркалото до агол што ќе го заштити операторот зависно од работата. Цврсто стегнете ја завртката.

За да го извадите штитникот, следете ја постапката за мерење по обратен редослед.

► Сл.4: 1. Штитник за тркало 2. Склоп со лагери 3. Завртка

За алати со штитник за тркалото со рачка за стегање

Олабавете ја завртката и потоа, повлечете ја рачката во насока на стрелката. Монтирајте го штитникот за тркалото со испакнатините на лентата на штитникот за тркалото порамнета со жлебовите на кутијата на лежиштето. Потоа, свртете го штитникот на тркалото до агол што ќе го заштити операторот зависно од работата.

- **Сл.5:** 1. Штитник за тркало 2. Склоп со лагери 3. Завртка 4. Рачка

Повлечете ја рачката во насока на стрелката. Потоа, прицврстете го штитникот за тркалото стегнувајќи ја завртката. Цврсто стегнете ја завртката. Аголот на штитникот за тркалото може да се приспособи со помош на рачката.

- **Сл.6:** 1. Завртка 2. Рачка

За да го извадите штитникот, следете ја постапката за мesteње по обратен редослед.

Монтирање или вадење на тркало со вдлабнато средиште или повеќеделен диск

Опционален прибор

▲ ПРЕДУПРЕДУВАЊЕ: Кога користите тркало со вдлабнато средиште или повеќеделен диск, штитникот на тркалото треба да се монтира на алатот, така што затворената страна на штитникот да биде свртена кон операторот.

▲ ВНИМАНИЕ: Уверете се дека делот од внатрешната фланша што се монтира совршено го собира во внатрешниот дијаметар на вдлабнатото средиште/повеќеделниот диск. Ако внатрешната фланша се монтира на погрешната страна, може да настанат опасни вибрации.

Монтирајте ја внатрешната фланша на вретеното. Поставете го вдлабнатиот дел од внатрешната фланша на рамниот дел на дното од вретеното. Наместете го вдлабнатото средиште/повеќеделниот диск на внатрешната фланша и завртете ја навртката на вретеното.

- **Сл.7:** 1. Навртка за стегање 2. Тркало со вдлабнато средиште 3. Внатрешна фланша 4. Дел за монтирање

За да ја затегнете навртката, притиснете ја цврсто блокадата на оската, така што вретеното нема да може да се врти, па со клучот за стегање затегнете ја надесно.

- **Сл.8:** 1. Клуч за стегање 2. Блокада на оската

За да го извадите тркалото, следете ја постапката за мesteње по обратен редослед.

Супер-фланша

Опционален прибор

Само за алати со навој на вретеното M14.

Моделите со буквата F се стандардно опремени со супер-фланша. Потребна е само една третина од силата за одвртување на навртката за блокирање, споредено со конвенционалниот тип.

Ставање и вадење флекси-тркало

Опционален прибор

▲ ПРЕДУПРЕДУВАЊЕ: Секогаш користете го испорачаниот штитник кога флекси-тркалото е поставено на алатот. Тркалото може да се распрсне за време на употребата, а штитникот помага во намалување на шансите за телесна повреда.

- **Сл.9:** 1. Навртка за стегање 2. Флекси-тркало 3. Подлошка 4. Внатрешна фланша

Следете ги упатствата за тркалото со вдлабнато средиште, но, исто така, користете подлошка врз тркалото. Редоследот на склопување можете да го видите на страницата за додатоците во ова упатство за употреба.

Инсталирање или отстранување на абразивниот диск

Опционален прибор

- **Сл.10:** 1. Навртка за шмирглање 2. Абразивен диск 3. Гумена подлошка

1. Монтирајте ја гумената подлошка на вретеното.
2. Поставете го дискот на гумената подлошка и завртете ја навртката за блокирање на вретеното.
3. Држете го вретеното со блокадата на оската и убаво стегнете ја навртката за шмирглање надесно со клуч за навртки.

За да го извадите дискот, следете ја постапката за мesteње по обратен редослед.

НАПОМЕНА: Користете додатоци за стругање назначени во ова упатство. Тие треба да се купат посебно.

РАБОТЕЊЕ

▲ ПРЕДУПРЕДУВАЊЕ: Никогаш не би требало да се применува сила врз алатот. Тежината на алатот нанесува доволно притисок. Додавањето сила и прекумерен притисок може да предизвикаат опасно кршење на тркалото.

▲ ПРЕДУПРЕДУВАЊЕ: СЕКОГАШ заменувајте го тркалото ако алатот ви падне при брусење.

▲ ПРЕДУПРЕДУВАЊЕ: НИКОГАШ не удирајте ја плочата или тркалото за брусење на материјалот.

▲ ПРЕДУПРЕДУВАЊЕ: Избегнувајте отскокнување и заглавување на тркалото, особено кога работите на агли, остри рабови и сл. Така може да изгубите контрола и да дојде до повратен удар.

▲ ПРЕДУПРЕДУВАЊЕ: НЕ КОРИСТЕТЕ ГО алатот со сечила за дрворез и други пили за дрво. Таквите сечила, кога се користат со брусилка, често удираат и предизвикуваат губење контрола, што може да доведе до телесна повреда.

▲ ВНИМАНИЕ: Никогаш не вклучувајте го алатот кога е во контакт со работниот материјал, во спротивно може да дојде до повреда на операторот.

▲ ВНИМАНИЕ: Секогаш носете заштитни очила или маска за заштита на лицето при работата.

▲ ВНИМАНИЕ: По работата, секогаш исклучувајте го алатот и почекајте додека тркалото не спре сосема пред да го одложите алатот.

▲ ВНИМАНИЕ: СЕКОГАШ држете го алатот цврсто со едната рака за куќиштето и со другата на страничниот држач (рачка).

Брусење и шмирглање

► Сл.11

Вклучете го алатот и потоа, ставете ги тркалото или дискот во работниот материјал.

По принцип, одржувајте го работ од тркалото или дискот под агол од околу 15° во однос на површината на работниот материјал.

За време на првичниот период на користење ново тркало, не работете со брусилката во насока напред бидејќи ќе засече во работниот материјал. Штом работ на тркалото ќе се заобли од употребата, со тркалото може да се работи во двете насоки, напред и назад.

Работа со тркало за абразивно сечење/дијамантско тркало

Опционален прибор

▲ ПРЕДУПРЕДУВАЊЕ: Кога користите тркало за абразивно сечење/дијамантско тркало, внимавајте да го користите само специјалниот штитник конструиран за тркалата за сечење.

(Во некои европски земји може да се користи и обичниот штитник при користење на дијамантските тркала. Почитувајте ги прописите во земјата.)

▲ ПРЕДУПРЕДУВАЊЕ: НИКОГАШ не користете го тркалото за сечење за странично брусење.

▲ ПРЕДУПРЕДУВАЊЕ: Не заглавувајте го тркалото и не притискајте прекумерно. Не обидувајте се да сечете предлабоко. Пренапрегнувањето на тркалото го зголемува оптоварувањето и можноста за извиткување или лепење на тркалото во засекот и можноста за повратен удар, кршење на тркалото и прегревање на моторот.

▲ ПРЕДУПРЕДУВАЊЕ: Не почнувајте со сечењето повторно додека тркалото е во материјалот. Оставете го тркалото да достигне максимална брзина и внимателно влезете во засекот, движејќи го алатот напред преку површината на материјалот. Тркалото може да осцилира, да излезе или да удри наназад ако алатот се стартува во материјалот.

▲ ПРЕДУПРЕДУВАЊЕ: За време на сечењето, не менувајте го аголот на тркалото. Ако се притиска странично на тркалото за сечење (при брусење) може да дојде до пукање или кршење на тркалото, што може да предизвика тешки телесни повреди.

▲ ПРЕДУПРЕДУВАЊЕ: Со дијамантското тркало треба да се работи вертикално врз материјалот за сечење.

- Сл.12: 1. Навртка за стегање 2. Тркало за абразивно сечење/дијамантско тркало 3. Внатрешна фланша 4. Штитник за тркало за абразивно сечење/дијамантско тркало

За монтирање, следете ги упатствата за тркало со вдлабнато средиште.

Насоката за монтирање на навртката и внатрешната фланша се разликува зависно од дебелината на тркалото.

Погледнете ги следните цифри.

За модел од 100 мм

Кога се монтира абразивното тркало за сечење:

- Сл.13: 1. Навртка за стегање 2. Абразивно тркало за сечење (потенко од 4 мм) 3. Абразивно тркало за сечење (од 4 мм или подебело) 4. Внатрешна фланша

Кога се монтира дијамантското тркало:

- Сл.14: 1. Навртка за стегање 2. Дијамантско тркало (потенко од 4 мм) 3. Дијамантско тркало (од 4 мм или подебело) 4. Внатрешна фланша

За модел од 115 мм/125 мм

Кога се монтира абразивното тркало за сечење:

- Сл.15: 1. Навртка за стегање 2. Абразивно тркало за сечење (потенко од 4 мм) 3. Абразивно тркало за сечење (од 4 мм или подебело) 4. Внатрешна фланша

Кога се монтира дијамантското тркало:

- Сл.16: 1. Навртка за стегање 2. Дијамантско тркало (потенко од 4 мм) 3. Дијамантско тркало (од 4 мм или подебело) 4. Внатрешна фланша

Операции со испакната жичена четка

Опционален прибор

ВНИМАНИЕ: Проверете ја функционалноста на четката оставајќи го алатот да работи без оптоварување, осигурувајќи дека нема никој пред или во линија со четката.

ВНИМАНИЕ: Не користете ја четката ако е оштетена или ако е неурамнотежена. Користењето оштетена четка може да го зголеми потенцијалот за повреда од доаѓање во допир со скршени жици од четката.

- Сл.17: 1. Испакната жичена четка

Исклучете го алатот од напојување и поставете го свртен обратно за да добиете лесен пристап до вретеното. Извадете ги сите додатоци од вретеното. Монтирајте испакната жичена четка врз вретеното и стегнете ја со испорачаниот клуч.

ЗАБЕЛЕШКА: Избегнете преголем притисок при користење на четката, со што може да се извиткаат жиците. Со тоа може предвремено да се искршат.

Операции со кружна жичена четка

Опционален прибор

ВНИМАНИЕ: Проверете ја функционалноста на жичената четка оставајќи го алатот да работи без оптоварување, осигурувајќи дека нема никој пред или во линија со четката.

ВНИМАНИЕ: Не користете ја жичената четка ако е оштетена или ако е неурамнотежена. Користењето оштетена жичена четка може да го зголеми потенцијалот за повреда од доаѓање во допир со скршени жици од четката.

ВНИМАНИЕ: СЕКОГАШ користете штитник со жичените кружни четки, уверувајќи се дека дијаметарот на тркалото одговара на штитникот. Тркалото може да се распрсне за време на употребата, а штитникот помага во намалување на шансите за телесна повреда.

- Сл.18: 1. Кружна жичена четка

Исклучете го алатот од напојување и поставете го свртен обратно за да добиете лесен пристап до вретеното.

Извадете ги сите додатоци од вретеното. Ставете ја кружната жичена четка врз вретеното и затегнете со клучевите.

ЗАБЕЛЕШКА: Избегнете преголем притисок при користење на четката, со што може да се извиткаат жиците. Со тоа може предвремено да се искршат.

ОДРЖУВАЊЕ

ВНИМАНИЕ: Пред секоја проверка или одржување, проверете дали алатот е исклучен и откачен од струја.

ЗАБЕЛЕШКА: За чистење, не користете нафта, бензин, разредувач, алкохол или слично. Тие средства ја вадат бојата и може да предизвикаат деформации или пукнатини.

Чистење на отворите за воздух

Алатот и отворите за воздух треба да се одржуваат чисти. Редовно чистете ги отворите за воздух на алатот или секогаш кога ќе се извалкаат.

- Сл.19: 1. Отвор за испуштање воздух 2. Отвор за вшмукување воздух

За да се одржи БЕЗБЕДНОСТА и СИГУРНОСТА на производот, поправките, одржувањата или дотерувањата треба да се вршат во овластени сервисни или фабрички центри на Makita, секогаш со резервни делови од Makita.

ОПЦИОНАЛЕН ПРИБОР

⚠ ВНИМАНИЕ: Овој прибор или додатоци се препорачуваат за користење со алатот од Makita дефиниран во упатството. Со користење друг прибор или додатоци може да се изложите на ризик од телесни повреди. Користете ги приборот и додатоците само за нивната назначена намена.

Ако ви треба помош за повеќе детали за приборот, прашајте во локалниот сервисен центар на Makita.

► Сл.20

-	Модел од 100 мм	Модел од 115 мм	Модел од 125 мм
1	Држач 36		
2	Штитник за тркало (за брусно тркало)		
3	Внатрешна фланша	Внатрешна фланша/супер фланша	
4	Тркало со вдлабната средина/повеќеделен диск		
5	Навртка за стегање		
6	Подлошка		
7	Флекси-тркало		
8	Гумена подлошка 76	Гумена подлошка 100	Гумена подлошка 115
9	Абразивен диск		
10	Навртка за шмирглање		
11	Кружна жичена четка		
12	Испакната жичена четка		
13	Штитник за тркало (за тркало за сечење) *1		
14	Тркало за абразивно сечење/дијамантско тркало		
-	Клуч за стегање		

НАПОМЕНА: *1 При употребата на дијамантско тркало во некои европски земји, може да се користи обичен штитник наместо специјален кој ги покрива двете страни на тркалото. Почитувајте ги прописите во земјата.

НАПОМЕНА: Некои ставки на листата може да се вклучени со алатот како стандарден прибор. Тие може да се разликуваат од држава до држава.

ТЕХНИЧКИ ПОДАЦИ

Модел:	GA4030R	GA4530R	GA5030R
Пречник плоче	100мм (4")	115мм (4-1/2")	125мм (5")
Макс. дебелина плоче	6,4мм	7,2мм	
Навој вретена	M10	M14 или 5/8" (у зависности од земље)	
Номинална брзина (н)	11.000мин ⁻¹		
Укупна дужина	266мм		
Нето тежина	1,7кг	1,8кг	
Заштитна класа	□/□		

- Због нашег непрестаног истраживања и развоја задржавамо право измена наведених спецификација без претходне најаве.
- Спецификације могу да се разликују у различитим земљама.
- Тежина према процедури ЕПТА 01/2003

Намена

Овај алат је намењен за брушење, полирање и резање метала и камена без употребе воде.

Мрежно напајање

Алат сме да се прикључи само на монофазни извор мрежног наизменичног напајања који одговара подацима са натписне плочице. Алати су двоструко заштитно изоловани, па могу да се прикључе и на мрежне утичнице без уземљења.

Бука

Типичан А-пондерисани ниво буке одређен је према стандарду EN60745:

Ниво звучног притиска (L_{pA}): 85 dB (A)

Ниво звучне снаге (L_{WA}): 96 dB (A)

Несигурност (K): 3 dB (A)

▲УПОЗОРЕЊЕ: Носите заштитне слушалице.

Вибрације

Укупна вредност вибрација (векторски збир по три осе) одређена је према стандарду EN60745:

Модел GA4030R

Режим рада: брушење површине

Вредност емисије вибрација ($a_{h,AG}$): 7,0 м/с²

Несигурност (K): 1,5 м/с²

Режим рада: диск брусилица

Вредност емисије вибрација ($a_{h,DS}$): 2,5 м/с² или

мања

Несигурност (K): 1,5 м/с²

Модел GA4530R

Режим рада: брушење површине

Вредност емисије вибрација ($a_{h,AG}$): 7,5 м/с²

Несигурност (K): 1,5 м/с²

Режим рада: диск брусилица

Вредност емисије вибрација ($a_{h,DS}$): 2,5 м/с² или

мања

Несигурност (K): 1,5 м/с²

Модел GA5030R

Режим рада: брушење површине

Вредност емисије вибрација ($a_{h,AG}$): 8,5 м/с²

Несигурност (K): 1,5 м/с²

Режим рада: диск брусилица

Вредност емисије вибрација ($a_{h,DS}$): 2,5 м/с² или мања

Несигурност (K): 1,5 м/с²

НАПОМЕНА: Декларисана вредност емисије вибрација је измерена према стандардизованом мерном поступку и може се користити за упоређивање алата.

НАПОМЕНА: Декларисана вредност емисије вибрација се такође може користити за прелиминарну процену изложености.

▲УПОЗОРЕЊЕ: Вредност емисије вибрација током стварне примене електричног алата може се разликовати од декларисане вредности емисије вибрација, што зависи од начина на који се користи алат.

▲УПОЗОРЕЊЕ: Уверите се да сте идентификовали безбедносне мере за заштиту руковоаца које су засноване на процени изложености у стварним условима употребе (узимајући у обзир све делове радног циклуса, као што је време рада уређаја, али и време када је алат искључен и када ради у празном ходу).

▲УПОЗОРЕЊЕ: Декларисана вредност емисије вибрација важи за главне примене електричног алата. Међутим, ако се електрични алат користи за друге примене, вредност емисије вибрација се може разликовати.

ЕЗ декларација о усаглашености

Само за европске земље

ЕЗ декларација о усаглашености део је Додатка А у овом приручнику са упутствима.

Општа безбедносна упозорења за електричне алате

▲УПОЗОРЕЊЕ: Прочитајте сва безбедносна упозорења и сва упутства. Непоштовање упозорења и упутстава може изазвати струјни удар, пожар и/или тешке телесне повреде.

Сачувајте сва упозорења и упутства за будуће потребе.

Термин „електрични алат“ у упозорењима односи се на електрични алат који се напаја из електричне мреже (каблом) или батерије (без кабла).

Безбедносна упозорења за брушење

Безбедносна упозорења која се односе на брушење, полирање, четкање жичаном четком или абразивно одсецање:

1. Овај електрични алат је предвиђен да функционише као алат за брушење, глечање, четкање и одсецање. Прочитајте сва безбедносна упозорења, упутства, илустрације и спецификације које су испоручене уз овај електрични алат. Непоштовање свих доле наведених безбедносних упутстава може изазвати електрични удар, пожар и/или озбиљну повреду.
2. Овај електрични алат се не препоручује за обављање радова као што је полирање. Обављање радова за које електрични алат није намењен може изазвати опасности и телесне повреде.
3. Не користите прибор који није специјално пројектован и препоручен од стране произвођача алата. Ако неки прибор може да се прикључи на ваш електрични алат, то не значи да осигурава безбедан рад.
4. Номинална брзина прибора мора да буде најмање једнака максималној брзини означеној на електричном алату. Прибори који се крећу брже од њихове номиналне брзине могу да се сломају и разлете у комадићима.
5. Спољни пречник и дебљина прибора морају да одговарају номиналном капацитету вашег електричног алата. Додатни прибори неправилне величине не могу се адекватно заштитити или контролисати.

6. Монтирање прибора са навојем мора да се поклапа са навојем вретена брусилнице. За прибор монтиран помоћу прирубница, прикључни отвор додатног прибора мора да одговара пречнику површине прирубнице. Додатни прибор који не одговара монтажном делу електричног алата биће избачен из равнотеже, јако ће вибрирати и може да доведе до губитка контроле.
7. Не користите оштећени додатни прибор. Пре сваке употребе преконтролишите додатни прибор, на пример, брусне плоче на листоу и напрслине, подметаче на напрслине, хабање или претерано трошење, жичану четку на лабаве или напрсле чекиње. Ако електрични алат или прибор падну, проверите да ли су оштећени или инсталирајте неоштећени прибор. Пошто преконтролишете и инсталирате прибор, присутни посматрачи и ви сами треба да се склоните од равни ротирајућег прибора, а електрични алат прво пустите да ради са максималном брзином празног хода око један минут. Оштећени прибор би се обично поломио током овог времена тестирања.
8. Носите заштитну опрему. У зависности од примене, користите штитник за лице, заштитну маску или заштитне наочаре. Ако је потребно, носите маску за заштиту од прашине, штитнике за слух, рукавице и радну кецељу која може да заустави мале абразивне честице или делиће предмета обраде. Заштита за очи мора да буде у стању да заустави летеће опилјке који се стварају при разним операцијама. Маска за праšину или респиратор морају да буду у стању да филтрирају честице које се стварају док радите. Дуже излагање високом нивоу буке може довести до губитка слуха.
9. Удаљите посматраче на безбедну удаљеност од радног подручја. Свако ко улази у радно подручје мора да носи личну заштитну опрему. Делићи предмета обраде или поломљеног прибора могу се одбацивати и изазвати повреду и изван непосредног радног подручја.
10. Електрични алат држите искључиво за изоловане рукохвате када обављате радове при којима постоји могућност да резни прибор додирне скривене водове или пресече сопствени кабл. Резни прибор који додирне струјни кабл може да стави под напон изложене металне делове електричног алата и изложи руковаоца струјном удару.
11. Кабл поставите далеко од ротирајућег прибора. Ако изгубите контролу, може доћи до пресецања или заплитања кабла, а ваша шака или рука може бити повучена на ротирајући прибор.
12. Никад не одлажите електрични алат док се прибор потпуно не заустави. Ротирајући прибор може да се упокоји у површину и избаци електрични алат из ваше контроле.

13. **Немојте да укључујете електрични алат док га носите поред тела.** Случајан додир са ротирајућим прибором може да захвати вашу одећу и повуче прибор према вашем телу.
14. **Редовно чистите вентилационе отворе електричног алата.** Мотор-вентилатор ће увлачити прашину у кућиште, а превелико нагомиланање металне прашине може изазвати електричне опасности.
15. **Не укључујте електрични алат близу запаљивих материјала.** Варнице би могле да упале такве материјале.
16. **Немојте да користите прибор за који је потребна раскладна течност.** Употреба воде или других раскладних течности може довести до електричног удара.

Повратни удар и повезана упозорења

Повратни удар представља изненадну реакцију која се јавља када се ротирајућа плоча, подметач, четка или други прибор уклеште или укопају. Укљештење или уковавање изазива брзо блокирање ротирајућег прибора који са своје стране доводи до принудног неконтролисаног кретања алата у смеру супротном од смера ротације прибора у тренутку уклештења. На пример, ако се брусна плоча укола или уклешти у предмет обраде, ивица плоче која улази у тачку уклештења може да зарони у површину материјала изазивајући извлачење или одскакање плоче. Плоча може да одскочи или ка руковаоцу или од њега, што зависи од смера кретања плоче у тренутку уклештења. Под таквим условима, може доћи до лома брусних плоча.

Повратни удар је резултат неправилног коришћења електричног алата и/или неправилних радних поступака или услова и може се избегнути предузимањем одговарајућих мера опреза које су наведене у наставку.

1. **Чврсто држите алат, а тело и руку поставите тако да може издржати силе повратног удара.** Увек користите помоћну дршку, ако постоји, ради максималне контроле над повратним ударом или реакције на обртни момент при покретању. Руковалац може да контролише силе реакције на обртни момент или силе повратног удара ако предузме одговарајуће мере опреза.
2. **Никада не стављајте руку близу ротирајућег прибора.** Прибор може да направи повратни удар преко ваше руке.
3. **Не заузимајте положај у подручју кретања електричног алата у случају повратног удара.** Повратни удар ће принудити алат да се креће у смеру који је супротан од смера кретања плоче у тренутку уклештења.
4. **Будите нарочито пажљиви када обрађујете углове, оштре ивице итд. Избегавајте одскакање и уковавање прибора.** Углови, оштре ивице или одскакање имају тенденцију уковања ротирајућег прибора и могу да изазову губљење контроле или повратни удар.
5. **Немојте прикључивати лист тестере за резање дрвета или других материјала.** Такве тестере често стварају повратни удар и доводе до губитка контроле.

Безбедносна упозорења за операције брушења и абразивног одсецања:

1. **Користите само оне типове плоча који се препоручују за ваш електрични алат и специјалне штитнике за изабрану плочу.** Плоче за које електрични алат није дизајниран не могу се адекватно заштитити и нису безбедне.
2. **Брусна површина коленастих брусних плоча мора да буде монтирана испод равни ивице штитника.** Неправилно монтирана плоча која прелази преко равни ивице штитника не може да буде адекватно заштићена.
3. **Штитник мора да буде чврсто причвршћен на електрични алат и постављен тако да обезбеди максималну безбедност, што значи да ће плоча бити минимално изложена на страни руковаоца.** Штитник помаже да се руковалац заштити од делића поломљене плоче, случајног додиривања плоче или варница што може упалити одећу.
4. **Плоче морају да се користе искључиво за предвиђену намену. На пример: немојте да брусите бочном страном диска за одсецање.** Брусне плоче за одсецање намењене су за периферно брушење пошто бочна сила примењена на ове плоче може да изазове њихово пуцање.
5. **За изабрану плочу увек користите неоштећене прирубнице за плоче, одговарајуће величине и облика.** Правилно изабране прирубнице за плоче подржавају плоче и смањују могућност да се распадне. Прирубнице за дискове за одсецање могу се разликовати од прирубница за брусне плоче.
6. **Не користите истрошене плоче са већих електричних алата.** Плоча која је намењена за већи алат није подесна за веће брзине мањег алата и може се распрснути.

Додатна безбедносна упозорења за операције абразивног одсецања:

1. **Не „ометајте“ диск за одсецање и не примењујте превелики притисак. Не покушавајте да направите превише дубоки рез.** Пренапрезање плоче повећава оптерећење и склоност ка увртању и блокирању плоче у резу и могућности повратног удара или ломљења плоче.
2. **Не заузимајте положај у линији са или иза ротирајуће плоче.** Када се у току рада плоча креће супротно од вашег тела, могући повратни удар може принудно усмерити ротирајућу плочу и електрични алат ка вама.
3. **Када се плоча блокира или ако се резање из неког разлога прекине, искључите алат и не померајте га док се плоча потпуно не заустави. Никада не покушавајте да уклоните диск за одсецање из реза док се плоча врти, јер то може изазвати повратни удар.** Проверите и предузмите корективне мере да бисте елиминисали разлог блокирања плоче.

4. Не започињите поново резање у предмету обраде. Пустите да плоча достигне пуну брзину и пажљиво поново уведите алат у рез. Плоча може да се блокира, издигне или прави повратни удар у случају да се струја укључи док се плоча налази у резу.
5. Подуприте плоче или било који предимензионирани предмет обраде да бисте опасност од укљештења и повратног удара свели на минимум. Велики предмети обраде имају тенденцију да се улежу под сопственом тежином. Средства за осигурање се морају поставити испод предмета обраде, у близини линије резања и у близини ивице предмета обраде, са обе стране плоче.
6. Будите посебно пажљиви када сечете „цевове“ у постојећим зидовима или на другим непрегледним местима. Плоча може исећи цевоводе за глин или воду, електричне каблове или предмете који могу изазвати повратни удар.

Безбедносна упозорења за операције полирања брусним папиром:

1. Не користите предимензионисани брусни папир. Придржавајте се препорука произвођача при избору брусног папира. Већи брусни папир који штричи изван брусне плоче, представља опасност од цепања и може изазвати укопавање и кидање плоче или повратни удар.

Безбедносна упозорења за операције са жичаном четком:

1. Имајте на уму да чекиње четке отпадају и приликом нормалног четкања. Немојте да пренапрежете чекиње примењујући превелико оптерећење на четку. Жичане чекиње могу лако да продру у танку одећу и/или кожу.
2. Ако користите штитник који је препоручен за рад са жичаном четком, пазите да штитник не омета жичани диск или четку. Жичани диск или четка могу да повећају свој пречник због рада и центрифугалних сила.

Додатна безбедносна упозорења:

1. Као коленасте брусне плоче увек употребљавајте само плоче појачане стакленим влакнима.
2. НИКАД НЕ КОРИСТИТЕ камена тоцила за рад ове бруснице. Ова брусница није пројектована за ову врсту плоча јер може доћи до тешких телесних повреда.
3. Немојте да оштећујете вретено, прирубницу (посебно монтажну површину) или сигурносне навртње. Оштећење тих делова може да проузрокује распадање брусне плоче.
4. Уверите се да плоча није у додиру са предметом обраде пре него што укључите прекидач.
5. Пре примене алата на стварном предмету обраде, пустите га да ради извесно време. Водите рачуна о вибрацијама или подрхтавању који су знак неправилне монтаже или неуравнотежене плоче.

6. За брушење употребљавајте прописану површину плоче.
7. Немојте да остављате укључен алат. Алат укључите само када га држите рукама.
8. Предмет обраде не додирујте одмах после завршеног брушења, јер може да буде врло врућ и можете да се опечете.
9. Водите рачуна о упутству произвођача у вези са правилном монтажом и употребом брусних плоча. Плочама рукујте опрезно и опрезно их складиштите.
10. За прилагођавање брусних плоча са већим отвором не употребљавајте посебне редукционе спојнице или адаптере.
11. Користите само прирубнице које су спецификацијом предвиђене за овај алат.
12. Код алата са навојним отвором плоче побрините се да дужина навоја на плочи одговара за прихватање дужине вретена.
13. Проверите да ли је предмет обраде правилно подупрт.
14. Водите рачуна о томе да се плоча окреће још извесно време после искључивања алата.
15. Ако је радно место веома вруће, влажно или пуно прашине која проводи електрицитет, прикључите апарат помоћу склопке за заштиту од кратког споја (30 mA) ради заштите руковаоца.
16. Алат не употребљавајте за обраду материјала који садрже азбест.
17. Када користите диск за одсецање, увек радите са штитником плоче за сакупљање прашине, што је предвиђено локалним прописима.
18. Резне плоче не смеју да буду изложене било каквом бочном притиску.
19. Немојте да користите платнене рукавице током рада. Влакна са платнених рукавица могу да доспеју у алат, што може да доведе до квара на алату.

САЧУВАЈТЕ ОВО УПУТСТВО.

▲УПОЗОРЕЊЕ: НЕМОЈТЕ себи да дозволите да занемарите строга безбедносна правила која се односе на овај производ услед чињенице да сте производ добро упознали и стекли рутину у руковању њиме (услед честог коришћења). **НЕНАМЕНСКА УПОТРЕБА** или непоштовање безбедносних правила наведених у овом упутству могу довести до тешких телесних повреда.

ОПИС НАЧИНА ФУНКЦИОНИСАЊА

▲ ПАЖЊА: Пре подешавања или провере функција алата увек проверите да ли је алат искључен и одвојен из електричне мреже.

Брава осовине

Притисните тастер за браву осовине да се осовина не би обртала када постављате или скидате додатну опрему.

► **Слика1:** 1. Брава осовине

ОБАВЕШТЕЊЕ: Немојте да активирате браву осовине када се осовина окреће. Може доћи до оштећења алата.

Функционисање прекидача

▲ ПАЖЊА: Пре прикључивања алата на мрежу увек проверите да ли клизни прекидач ради правилно и да ли се враћа у положај „OFF“ (искључивање) када притиснете задњу страну клизног прекидача.

▲ ПАЖЊА: Прекидач може да буде закључан у положају „ON“ (укључивање) за удобнији рад оператера приликом дуге употребе. Будите пажљиви приликом закључавања алата у положају „ON“ (укључивање) и непрекидно чврсто држите алат.

Да бисте укључили алат, гурните клизни прекидач у положај „I (ON)“ (укључено) тако што ћете притиснути задњу страну клизног прекидача. За непрекидни рад блокирајте клизни прекидач притискањем његове предње стране. Да бисте искључили алат, притисните задњу страну клизног прекидача, а затим гурните прекидач у положај „O (OFF)“ (искључено).

► **Слика2:** 1. Клизни прекидач

Отпорно на случајно поновно покретање

Алат се неће покренути када је прекидач у позицији блокирања чак и када се прикључи на напајање. За отказивање прекида ненамерног поновног покретања, вратите прекидач за напајање у положај „OFF“ (искључено).

НАПОМЕНА: Ако функционише прекид ненамерног поновног покретања, сачекајте најмање једну секунду пре него што поновно покренете алат.

НАПОМЕНА: Када је алат преоптерећен и температура алата достигне одређени степен, алат се може аутоматски зауставити. У овој ситуацији, пустите да се алат охлади пре поновног укључивања алата.

Функција лаганог старта

Функција лаганог старта смањује почетну реакцију.

СКЛАПАЊЕ

▲ ПАЖЊА: Пре извођења радова на алату увек проверите да ли је искључен и да ли је утикач извучен из утичнице.

Монтажа бочног рукохвата (дршке)

▲ ПАЖЊА: Пре употребе се побрините да бочни рукохват буде правилно монтиран.

Бочни рукохват чврсто притегните на алат у положају приказаном на слици.

► **Слика3**

Монтажа или скидање штитника плоче (коленасте брусне плоче, преклопног диска, еластичне плоче, обртне жичане четке / брусне плоче за одсецање, дијамантске плоче)

▲ УПОЗОРЕЊЕ: Када се користи коленаста брусна плоча / преклопни диск, еластична плоча или обртна жичана четка, штитник плоче треба причврстити на алат тако да страна са штитником плоче буде увек усмерена према руковаоцу алатом.

▲ УПОЗОРЕЊЕ: Када се користи брусна плоча за одсецање / дијамантска плоча, обавезно користите искључиво специјални штитник плоче пројектован за коришћење са брусним дисковима за одсецање.

(У појединим европским земљама се може користити обичан штитник за рад са дијамантском плочом. Придржавајте се прописа у вашој земљи.)

За алат са штитником плоче у виду заставног завртња

Штитник плоче поставите тако да избочине на прстену штитника плоче буду поравнате са жлебом на кућишту лежаја. Затим окрените штитник плоче под углом под којим ће руковалац на одговарајући начин бити заштићен у односу на посао који обавља. Пазите да завртањ буде чврсто затегнут.

Да бисте скинули штитник плоче, примените обрнути редослед.

► **Слика4:** 1. Штитник плоче 2. Кућиште лежаја 3. Завртањ

За алат са штитником плоче у виду полуге за стезање

Олабавите завртањ, а затим повуците полугу у смеру стрелице. Штитник плоче поставите тако да избочине на прстену штитника плоче буду поравнате са жлебом на кућишту лежаја. Затим окрените штитник плоче под углом под којим ће руковалац на одговарајући начин бити заштићен у односу на посао који обавља.

► **Слика5:** 1. Штитник плоче 2. Кућиште лежаја 3. Завртањ 4. Полуга

Повуците полугу у смеру стрелице. Затим причврстите штитник плоче тако што ћете затегнути завртањ. Пазите да завртањ буде чврсто затегнут. Угао штитника плоче можете да подесите помоћу полуге.

► **Слика6:** 1. Завртањ 2. Полуга

Да бисте скинули штитник плоче, примените обрнути редослед.

Постављање или скидање коленасте брусне плоче / преклопног диска

Опциони додатни прибор

▲УПОЗОРЕЊЕ: Када се користи коленаста брусна плоча или преклопни диск, штитник плоче треба причврстити на алат тако да страна са штитником буде увек усмерена према руковаоцу.

▲ПАЖЊА: Уверите се да се део за постављање унутрашње прирубнице савршено уклапа у унутрашњи пречник коленасте брусне плоче / преклопног диска. Постављање унутрашње прирубнице на погрешну страну може да доведе до опасних вибрација.

Унутрашњу прирубницу поставите на осовину. Уверите се да је назубљени део унутрашње прирубнице налегао на прави део на дну осовине. Коленасту брусну плочу / преклопни диск навуците на унутрашњу прирубницу и заврните сигурносни навртањ на осовину.

► **Слика7:** 1. Сигурносни навртањ 2. Коленаста брусна плоча 3. Унутрашња прирубница 4. Део за постављање

Да бисте притегли сигурносни навртањ, снажно притисните браву осовине тако да осовина не може да се окреће, а затим кључем чврсто притегните сигурносни навртањ у смеру казаљке на сату.

► **Слика8:** 1. Кључ за сигурносни навртањ 2. Бртва осовине

Да бисте скинули брусну плочу, примените обрнути редослед.

Надприрубница

Опциони додатни прибор

Само за алате са М14 вretenом са навојем.

Модели са словом F су стандардно опремљени надприрубницом. Само трећина напора је потребна за скидање сигурносног навртања, у поређењу са конвенционалним типом.

Постављање или скидање еластичне плоче

Опциони додатни прибор

▲УПОЗОРЕЊЕ: Увек користите испоручени штитник када је еластична плоча на алату. Плоча се може сломити током употребе, а штитник помаже тако што смањује шансе да дође до повреде.

► **Слика9:** 1. Сигурносни навртањ 2. Еластична плоча 3. Подметач 4. Унутрашња прирубница

Пратите упутства за коленасту брусну плочу, али на плочи користите и подметач. Погледајте редослед склапања на страници са додатним прибором у овом приручнику.

Монтирање и уклањање брусног диска

Опциони додатни прибор

► **Слика10:** 1. Сигурносни навртањ за полирање 2. Брусни диск 3. Гумена подлошка

1. Гумену подлошку поставите на осовину.
2. Поставите диск на гумену подлошку и заврните сигурносни навртањ за полирање на осовину.
3. Држите осовину уз помоћ браве осовине и помоћу кључа за сигурносни навртањ добро затегните навртањ за закључавање шмиргле у смеру казаљке на сату.

Да бисте скинули диск, примените обрнути редослед.

НАПОМЕНА: Употребљавајте само брусни прибор наведен у овом упутству. Морате га засебно купити.

РАД

▲УПОЗОРЕЊЕ: Током рада никада не употребљавајте силу. Сама тежина алата обезбеђује довољан притисак. У случају претераног притиска постоји опасност да се плоча распадне.

▲УПОЗОРЕЊЕ: Брусну плочу **УВЕК** замените ако се алат током брушења срушио.

▲УПОЗОРЕЊЕ: Брусна плоча **НИКАДА** не сме да удари о предмет обраде.

▲УПОЗОРЕЊЕ: Водите рачуна да брусна плоча не одскочи или да се не окрњи, нарочито приликом обраде углава, оштрих ивица итд. То би могло да изазове губитак контроле и повратни ударац.

▲УПОЗОРЕЊЕ: Алат **НИКАДА** не употребљавајте са листовима тестере за резање дрвета и другим листовима тестере. Ако се употребе на брусници, такви листови тестере изазивају честе повратне ударце и губитак контроле, што може да доведе до повреда.

▲ПАЖЊА: Никада немојте да укључујете алат када је у контакту са предметом обраде, јер може доћи до повреде руковаоца.

▲ПАЖЊА: Увек носите заштитне наочаре или штитник за лице током рада.

▲ПАЖЊА: По завршетку рада увек искључите алат и пре одлагања алата сачекајте да се брусна плоча потпуно заустави.

▲ПАЖЊА: Алат **УВЕК** чврсто држите једном руком за кућиште, а другом за бочни рукохват (дршку).

Брушење и полирање

► Слика11

Укључите алат, а затим ставите плочу или диск на предмет обраде.

Обично ивицу плоче или диска треба држати под углом од отприлике 15° у односу на површину предмета обраде.

Током периода уходавања са новом плочом, немојте да усмеравајте брусницу унапред, пошто ће засећи предмет обраде. Када се ивица плоче услед употребе заобли, плочу можете да употребљавате у оба правца – унапред и уназад.

Рад са брусном плочом за одсецање / дијамантском плочом

Опциони додатни прибор

▲УПОЗОРЕЊЕ: Када се користи брусна плоча за одсецање / дијамантска плоча, **обавезно користите искључиво специјални штитник плоче пројектован за коришћење са брусним дисковима за одсецање.**

(У појединим европским земљама се може користити обичан штитник за рад са дијамантском плочом. Придржавајте се прописа у вашој земљи.)

▲УПОЗОРЕЊЕ: **НИКАДА** не користите брусни диск за одсецање за радове на бочном брушењу.

▲УПОЗОРЕЊЕ: Не „ометајте“ плочу и не примењујте превелики притисак. Не покушавајте да направите превише дубоки рез. Пренапрезање плоче повећава оптерећење и склоност ка увртању и блокирању плоче у резу и могућност повратног удара, ломљења плоче и прегревања мотора.

▲УПОЗОРЕЊЕ: Не започињите резање у предмету обраде. Пустите да плоча достигне пуну брзину и пажљиво уведите алат у рез померајући алат унапред преко површине предмета обраде. Плоча може да се блокира, издиже или прави повратни удар у случају да дође до укључивања струје док се плоча налази у резу.

▲УПОЗОРЕЊЕ: Никад не мењајте угао нагиба плоче током резања. Бочни притисак на диск за одсецање (као код брушења) довешће до прскања и ломљења диска, што може проузроковати озбиљне повреде.

▲УПОЗОРЕЊЕ: Дијамантску плочу треба употребљавати под правим углом у односу на материјал који се сече.

- Слика12: 1. Сигурносни навртањ 2. Брусна плоча за одсецање / дијамантска плоча 3. Унутрашња прирубница 4. Штитник плоче за брусну плочу за одсецање / дијамантску плочу

За монтажу пратите упутство за коленасту брусну плочу.

Смер монтаже сигурносног навртња и унутрашње прирубнице зависи од типа и дебљине плоче.

Погледајте следеће слике.

За модел од 100 мм (4")

Приликом постављања брусне плоче за одсецање:

- Слика13: 1. Сигурносни навртањ 2. Брусна плоча за одсецање (тања од 4 мм (5/32")) 3. Брусна плоча за одсецање (4 мм (5/32") или дебља) 4. Унутрашња прирубница

Приликом постављања дијамантске плоче:

- **Слика14:** 1. Сигурносни навртањ 2. Дијамантска плоча (тања од 4 мм (5/32"))
3. Дијамантска плоча (4 мм (5/32")) или дебља 4. Унутрашња прирубница

За модел од 115 мм (4–1/2") / 125 мм (5")

Приликом постављања брусне плоче за одсецање:

- **Слика15:** 1. Сигурносни навртањ 2. Брусна плоча за одсецање (тања од 4 мм (5/32")) 3. Брусна плоча за одсецање (4 мм (5/32")) или дебља 4. Унутрашња прирубница

Приликом постављања дијамантске плоче:

- **Слика16:** 1. Сигурносни навртањ 2. Дијамантска плоча (тања од 4 мм (5/32"))
3. Дијамантска плоча (4 мм (5/32")) или дебља 4. Унутрашња прирубница

Руковање жичаном четком у облику купе

Опциони додатни прибор

ПАЖЊА: Проверите функционисање четке радом у празном ходу, и то само када сте сигурни да никог нема испред или у линији са четком.

ПАЖЊА: Не употребљавајте четку која је оштећена или неуравнотежена. Ако користите оштећену четку, повећаће се опасност од повреде изазване сломљеним жицама са четке.

- **Слика17:** 1. Жичана четка у облику купе

Искључите алат из струје и поставите га наопако како бисте омогућили лак приступ осовини. Скините све додатке са осовине. Ставите жичану четку у облику купе на осовину и стегните је испорученим кључем.

ОБАВЕШТЕЊЕ: Немојте примењивати превелики притисак док користите четку, јер то изазива савијање жица. Може довести до превременог ломљења.

Руковање обртном жичаном четком

Опциони додатни прибор

ПАЖЊА: Проверите функционисање обртне жичане четке радом у празном ходу, и то само када сте сигурни да никог нема испред или у линији са четком.

ПАЖЊА: Не употребљавајте обртну жичану четку која је оштећена или неуравнотежена. Ако користите оштећену обртну жичану четку, повећаће се опасност од повреде изазване сломљеним жицама са четке.

ПАЖЊА: УВЕК користите штитник с обртним жичаним четкама, водећи рачуна да пречник плоче одговара штитнику. Плоча се може сломити током употребе, а штитник помаже тако што смањује шансе да дође до повреде.

- **Слика18:** 1. Обртна жичана четка

Искључите алат из струје и поставите га наопако како бисте омогућили лак приступ осовини. Скините све додатке са осовине. Заврните обртну жичану четку на осовину и стегните је кључем.

ОБАВЕШТЕЊЕ: Немојте примењивати превелики притисак док користите обртну жичану четку, јер то изазива савијање жица. Може довести до превременог ломљења.

ОДРЖАВАЊЕ

ПАЖЊА: Пре него што почнете с прегледом или одржавањем алата, проверите да ли је алат искључен, а утикач извучен из утичнице.

ОБАВЕШТЕЊЕ: Никад немојте да користите нафту, бензин, разређивач, алкохол и слична средства. Може доћи до губитка боје, деформације или оштећења.

Чишћење вентилационог отвора

Алат и вентилационе отворе увек одржавајте чистим. Вентилационе отворе чистите редовно или када почну да се зачепљују.

- **Слика19:** 1. Издувни отвор 2. Усисни отвор

БЕЗБЕДАН и ПОУЗДАН рад алата гарантујемо само ако поправке, свако друго одржавање или подешавање, препустите овлашћеном сервису компаније Makita или фабричком сервису, уз употребу оригиналних резервних делова компаније Makita.

ОПЦИОНИ ПРИБОР

⚠ ПАЖЊА: Ова опрема и прибор су предвиђени за употребу са алатом Makita описаним у овом упутству за употребу. Употреба друге опреме и прибора може да доведе до повреда. Користите делове прибора или опрему искључиво за предвиђену намену.

Да бисте добили више детаља у вези са овим прибором, обратите се локалном сервисном центру компаније Makita.

► Слика20

-	Модел од 100 мм (4")	Модел од 115 мм (4–1/2")	Модел од 125 мм (5")
1	Дршка 36		
2	Штитник плоче (за брусну плочу)		
3	Унутрашња прирубница	Унутрашња прирубница / надприрубница	
4	Коленаста брусна плоча / преклопни диск		
5	Сигурносни навртањ		
6	Подметач		
7	Еластична плоча		
8	Гумена подлошка 76	Гумена подлошка 100	Гумена подлошка 115
9	Брусни диск		
10	Сигурносни навртањ за полирање		
11	Обртна жичана четка		
12	Жичана четка у облику купе		
13	Штитник плоче (за диск за одсецање) *1		
14	Брусна плоча за одсецање / дијамантска плоча		
-	Кључ за сигурносни навртањ		

НАПОМЕНА: *1 У неким европским земљама, када се користи дијамантска плоча, обични штитник може да се користи уместо специјалног штитника покривајући обе стране плоче. Придржавајте се прописа у вашој земљи.

НАПОМЕНА: Поједине ставке на листи могу бити укључене у садржај паковања алата као стандардна опрема. Оне се могу разликовати од земље до земље.

SPECIFICAȚII

Model:	GA4030R	GA4530R	GA5030R
Diametrul discului	100mm (4")	115mm (4-1/2")	125mm (5")
Grosimea maximă a discului	6,4mm	7,2mm	
Filetul arborelui	M10	M14 sau 5/8" (diferă în funcție de țară)	
Turație nominală (n)	11.000min ⁻¹		
Lungime totală	266mm		
Greutate netă	1,7kg	1,8kg	
Clasa de siguranță	□/II		

- Datorită programului nostru continuu de cercetare și dezvoltare, specificațiile pot fi modificate fără o notificare prealabilă.
- Specificațiile pot varia în funcție de țară.
- Greutatea este specificată conform procedurii EPTA 01/2003

Destinația de utilizare

Mașina este destinată polizării, șlefuirii și tăierii materialelor de metal și piatră fără utilizarea apei.

Sursă de alimentare

Mașina trebuie conectată numai la o sursă de alimentare cu curent alternativ monofazat, cu tensiunea egală cu cea indicată pe plăcuța de identificare a mașinii. Acestea au o izolație dublă și, drept urmare, pot fi utilizate de la prize fără împământare.

Zgomot

Nivelul de zgomot normal ponderat A determinat în conformitate cu EN60745:

Nivel de presiune acustică (L_{pA}): 85 dB(A)

Nivel de putere acustică (L_{WA}): 96 dB (A)

Marjă de eroare (K): 3 dB(A)

AVERTIZARE: Purtați echipament de protecție pentru urechi.

Vibrații

Valoarea totală a vibrațiilor (suma vectorilor tri-axiali) determinată conform EN60745:

Model GA4030R

Mod de lucru: polizarea suprafeței

Emisie de vibrații ($a_{h,AG}$): 7,0 m/s²

Marjă de eroare (K): 1,5 m/s²

Mod de lucru: șlefuire cu disc

Emisie de vibrații ($a_{h,DS}$): 2,5 m/s² sau mai puțin

Marjă de eroare (K): 1,5 m/s²

Model GA4530R

Mod de lucru: polizarea suprafeței

Emisie de vibrații ($a_{h,AG}$): 7,5 m/s²

Marjă de eroare (K): 1,5 m/s²

Mod de lucru: șlefuire cu disc

Emisie de vibrații ($a_{h,DS}$): 2,5 m/s² sau mai puțin

Marjă de eroare (K): 1,5 m/s²

Model GA5030R

Mod de lucru: polizarea suprafeței

Emisie de vibrații ($a_{h,AG}$): 8,5 m/s²

Marjă de eroare (K): 1,5 m/s²

Mod de lucru: șlefuire cu disc

Emisie de vibrații ($a_{h,DS}$): 2,5 m/s² sau mai puțin

Marjă de eroare (K): 1,5 m/s²

NOTĂ: Nivelul de vibrații declarat a fost măsurat în conformitate cu metoda de test standard și poate fi utilizat pentru compararea unei unelte cu alta.

NOTĂ: Nivelul de vibrații declarat poate fi, de asemenea, utilizat într-o evaluare preliminară a expunerii.

AVERTIZARE: Nivelul de vibrații în timpul utilizării efective a unelei electrice poate diferi de valoarea nivelului declarat, în funcție de modul în care unealta este utilizată.

AVERTIZARE: Asigurați-vă că identificați măsurile de siguranță pentru a proteja operatorul, acestea fiind bazate pe o estimare a expunerii în condiții reale de utilizare (luând în considerare toate părțile ciclului de operare, precum timpul în care unealta a fost oprită, sau a funcționat în gol, pe lângă timpul de declanșare).

AVERTIZARE: Nivelul de vibrații declarat este utilizat pentru aplicațiile principale ale mașinii electrice. Totuși, dacă mașina electrică este utilizată pentru alte aplicații, valoarea vibrațiilor emise poate fi diferită.

Declarație de conformitate CE

Numai pentru țările europene

Declarația de conformitate CE este inclusă ca Anexa A în acest manual de instrucțiuni.

Avertismente generale de siguranță pentru mașinile electrice

⚠️ AVERTIZARE: Citiți toate avertismentele de siguranță și toate instrucțiunile. Nerespectarea acestor avertismente și instrucțiuni poate avea ca rezultat electrocutarea, incendiul și/sau rănirea gravă.

Păstrați toate avertismentele și instrucțiunile pentru consultări ulterioare.

Termenul „mașină electrică” din avertizări se referă la mașinile dumneavoastră electrice acționate de la rețea (prin cablu) sau cu acumulator (fără cablu).

Avertismente privind siguranța pentru polizor

Avertismente privind siguranța comune operațiunilor de polizare, de șlefuire, periere sau operațiunilor de tăiere abrazivă:

- 1. Această sculă electrică este destinată să funcționeze ca polizor, șlefuitor, perie de sârmă sau mașină de tăiat. Citiți toate avertismentele privind siguranța, instrucțiunile, ilustrațiile și specificațiile furnizate cu această mașină electrică.** Nerespectarea integrală a instrucțiunilor de mai jos poate cauza electrocutări, incendii și/ sau vătămări corporale grave.
- 2. Nu este recomandată executarea operațiilor cum ar fi lustruirea cu această sculă electrică.** Operațiile pentru care această mașină electrică nu a fost concepută pot fi periculoase și pot provoca vătămări corporale.
- 3. Nu folosiți accesorii care nu sunt special concepute și recomandate de producătorul mașinii.** Simplul fapt că accesoriul poate fi atașat la mașina dumneavoastră electrică nu asigură funcționarea în condiții de siguranță.
- 4. Turația nominală a accesoriului trebuie să fie cel puțin egală cu turația maximă indicată pe scula electrică.** Accesoriile utilizate la o turație superioară a celei nominale se pot sparge și împrăștia.
- 5. Diametrul exterior și grosimea accesoriului dumneavoastră trebuie să se înscrie în capacitatea nominală a sculei electrice.** Accesoriile de dimensiuni incorecte nu pot fi protejate sau controlate în mod corespunzător.
- 6. Montarea prin filetare a accesoriilor trebuie să corespundă arborelui filetat al polizorului. Pentru accesorii montate prin flanșe, orificiul arborelui accesoriului trebuie să corespundă diametrului de localizare a flanșei.** Accesoriile care nu se potrivesc cu unelele de montaj ale mașinii electrice vor funcționa dezechilibrat, vor vibra excesiv și pot cauza pierderea controlului.
- 7. Nu folosiți un accesoriu deteriorat. Înaintea fiecărei utilizări inspectați accesoriile, cum ar fi roțile abrazive, în privința sfărâmurilor și fisurilor, discurile de fixare în privința fisurilor, rupturii sau uzurii excesive, peria de sârmă în privința firelor slăbite sau plesnite. Dacă scăpați pe jos mașina sau accesoriul, inspectați-le cu privire la deteriorări sau instalați un accesoriu intact. După inspectarea și instalarea unui accesoriu, poziționați-vă împreună cu trecătorii la depărtare de planul accesoriului rotativ și porniți mașina electrică la viteza maximă de mers în gol timp de un minut. Accesoriile deteriorate se vor sparge în mod normal pe durata acestui test.**
- 8. Purtați echipamentul individual de protecție. În funcție de aplicație, folosiți o mască de protecție, ochelari de protecție sau viziere de protecție. Dacă este cazul, purtați o mască de protecție contra prafului, mijloace de protecție a auzului, mănuși și un șorț de lucru capabil să oprească fragmentele mici abrazive sau fragmentele piesei. Mijloacele de protecție a vederii trebuie să fie capabile să oprească resturile proiectate în aer generate la diverse operații. Maska de protecție contra prafului sau masca respiratorie trebuie să fie capabilă să filtreze particulele generate în timpul operației respective. Expunerea prelungită la zgomot foarte puternic poate provoca pierderea auzului.**
- 9. Țineți trecătorii la o distanță sigură față de zona de lucru. Orice persoană care pătrunde în zona de lucru trebuie să poarte echipament individual de protecție.** Fragmentele piesei prelucrate sau ale unui accesoriu spart pot fi proiectate în jur cauzând vătămări corporale în zona imediat adiacentă zonei de lucru.
- 10. Țineți scula electrică doar pe suprafețele de prindere izolate atunci când executați o operație în care accesoriul de tăiere poate intra în contact cu cabluri ascunse sau cu propriul cablu.** Accesoriul de tăiere care intră în contact cu un fir aflat sub tensiune poate pune sub tensiune componentele metalice neizolate ale mașinii electrice și poate produce un șoc electric asupra operatorului.
- 11. Poziționați cablul la distanță de accesoriul aflat în rotație.** Dacă pierdeți controlul, cablul poate fi tăiat sau agățat și mâna sau brațul dumneavoastră pot fi trase în accesoriul aflat în rotație.
- 12. Nu așezați niciodată scula electrică înainte de oprirea completă a accesoriului.** Accesoriul aflat în rotație ar putea apuca suprafața și trage de mașina electrică fără a o putea controla.
- 13. Nu lăsați scula electrică în funcțiune în timp ce o transportați lângă corpul dumneavoastră.** Contactul accidental cu accesoriul aflat în rotație vă poate agăța îmbrăcămintea, trăgând accesoriul spre corpul dumneavoastră.
- 14. Curățați în mod regulat fantele de ventilație ale sculei electrice.** Ventilatorul motorului va aspira praful în interiorul carcasei, iar acumulările excesive de pulberi metalice pot prezenta pericol de electrocutare.
- 15. Nu folosiți scula electrică în apropierea materialelor inflamabile.** Scântelele pot aprinde aceste materiale.
- 16. Nu folosiți accesorii care necesită agenți de răcire lichizi.** Folosirea apei sau a lichidelor de răcire poate cauza electrocutări sau șocuri de tensiune.

Recul și avertismente asociate

Reculul este o reacție bruscă la înțepenirea sau agățarea unui disc, unui taler suport, unei perii sau unui alt accesoriu aflat în rotație. Înțepenirea sau agățarea provoacă o oprire bruscă a accesoriului aflat în rotație, ceea ce forțează mașina scăpată de sub control în direcția opusă celei de rotație a accesoriului în punctul de contact. De exemplu, dacă o roată abrazivă se înțepenește sau se agăță în piesa de prelucrat, muchia discului care pătrunde în punctul de blocare poate săpa în suprafața materialului cauzând urcarea sau proiectarea înapoi a discului. Discul poate sări către utilizator sau în partea opusă acestuia, în funcție de direcția de mișcare a discului în punctul de blocare. De asemenea, roțile abrazive se pot rupe în aceste condiții. Reculul este rezultatul utilizării incorecte a sculei electrice și/sau al procedeelelor sau condițiilor de lucru necorespunzătoare, putând fi evitat prin adoptarea unor măsuri de precauție adecvate prezentate în continuare.

1. **Mențineți o priză fermă pe scula electrică și poziționați-vă corpul și brațele astfel încât să contracarați forțele de recul. Folosiți întotdeauna mânerul auxiliar, dacă există, pentru a contracara în mod optim reculurile sau momentul de torsiune reactiv din faza de pornire.** Utilizatorul poate contracara momentele de torsiune reactive sau forțele de recul, dacă își ia măsuri de precauție adecvate.
2. **Nu vă poziționați niciodată mâna în apropierea accesoriului aflat în rotație.** Accesoriul poate recula peste mâna dumneavoastră.
3. **Nu vă poziționați corpul în zona în care se va deplasa mașina electrică în cazul unui recul.** Reculul va împinge unealta în direcția opusă rotației discului în punctul de agățare.
4. **Procedați cu deosebită atenție atunci când prelucrați colțuri, muchii ascuțite etc. Evitați agățările și salturile accesoriului.** Colțurile, muchiile ascuțite sau salturile au tendința de a agăța accesoriul aflat în rotație și conduc la pierderea controlului sau apariția reculurilor.
5. **Nu atașați o pânză de ferăstrău cu lanț pentru scobirea lemnului sau o lamă de ferăstrău dințată.** Astfel de pânze pot crea reculuri frecvente și pierderea controlului.

Avertismente privind siguranța comune operațiunilor de polizare și tăiere abrazivă:

1. **Utilizați numai tipurile de discuri care sunt recomandate pentru scula dumneavoastră electrică și apărătorile specifice proiectate pentru discul selectat.** Discurile pentru care scula electrică nu a fost proiectată nu pot fi protejate adecvat și sunt nesigure.
2. **Suprafața de polizare a discurilor apăsată în centru trebuie să fie montată sub planul marginii apărătorii.** Un disc montat necorespunzător care iese prin planul marginii apărătoarei nu poate fi protejat în mod adecvat.
3. **Apărătoarea trebuie atașată ferm la scula electrică și poziționată pentru siguranță maximă, astfel cea mai mică porțiune a discului este expusă în direcția operatorului.** Apărătoarea ajută la protejarea operatorului de fragmentele discului spart, de contactul accidental cu discul și de scânteele care ar putea aprinde îmbrăcămintea.

4. **Discurile trebuie utilizate numai pentru aplicațiile recomandate. De exemplu: nu șlefuiți cu părțile laterale ale discului abraziv de retezat.** Discurile abrazive de retezat sunt create pentru șlefuire periferică, iar forțele aplicate pe părțile laterale ale discurilor pot cauza spargerea acestora.
5. **Folosiți întotdeauna flanșe de disc intacte, cu dimensiuni și formă adecvate pentru discul folosit.** Flanșele de disc adecvate susțin discul reducând astfel posibilitatea de rupere a acestuia. Flanșele pentru discurile abrazive de retezat pot fi diferite de flanșele discului pentru polizare.
6. **Nu folosiți discuri parțial uzate de la mașini electrice mai mari.** Discurile destinate unei scule electrice mai mari nu sunt adecvate pentru viteza mai mare a unei mașini mici și se pot sparge.

Avertismente suplimentare specifice privind siguranța operațiunilor de retezare abrazivă:

1. **Nu „blocați” discul abraziv de retezat și nici nu aplicați o presiune excesivă. Nu încercați să executați o adâncime excesivă a tăieturii.** Supratensionarea discului mărește sarcina și susceptibilitatea de a torsiona sau a de a înțepeni discul în tăietură și posibilitatea de recul sau de spargere a discului.
2. **Nu vă poziționați corpul pe aceeași linie și în spatele discului aflat în rotație.** Atunci când discul, la punctul de operare, se mișcă departe de corpul dumneavoastră, reculul posibil poate împinge discul care se învârtă și scula electrică direct spre dumneavoastră.
3. **Atunci când discul este înțepenit sau când este întrerupt o tăiere din orice motiv, opriți scula electrică și țineți-o nemișcată până când discul se oprește complet. Nu încercați niciodată să scoateți discul abraziv de retezat din tăietură în timp ce discul este în mișcare; în caz contrar, poate apărea reculul.** Investigați și efectuați acțiunile corective pentru a elimina cauza înțepenirii discului.
4. **Nu reporniți operația de tăiere în piesa de prelucrat. Lăsați discul să ajungă la viteza maximă și pătrundeți din nou cu atenție în tăietură.** Roata se poate înțepeni, se poate deplasa în sus sau poate provoca un recul dacă mașina electrică este repornită în piesa de lucru.
5. **Sprrijiniți panourile sau orice piesă de prelucrat de dimensiuni mari pentru a minimiza riscul de înțepenire și recul al discului.** Piese de prelucrat mari tind să se încovoie sub propria greutate. Sub piesa de prelucrat trebuie amplasate suporturi lângă linia de tăiere și lângă marginea piesei de prelucrat, pe ambele părți ale discului.
6. **Acordați o atenție sporită atunci când executați o „decupare prin plonjare” în pereții existenți sau în alte zone mascate.** Discul poate tăia conducte de gaz sau de apă, cabluri electrice sau obiecte care pot provoca un recul.

Avertismente specifice privind siguranța operațiunilor de șlefuire:

1. **Nu utilizați hârtie de șlefuit supradimensiionată excesiv pentru discul de șlefuire. Respectați recomandările producătorilor, atunci când selectați hârtia de șlefuit.** Hârtia de șlefuit prea mare extinsă în afara plăcii de șlefuire prezintă pericol de sfășiere și poate cauza înțepenirea, sfășierea discului sau reculul.

Avertismente specifice privind siguranța operațiunilor de periere:

1. **Țineți cont de faptul că firele de sârmă sunt aruncate de perie chiar și în timpul unei operațiuni obișnuite. Nu supratensionați firele prin aplicarea unei sarcini excesive periei.** Firele de sârmă pot penetra ușor îmbrăcămintea subțire și/sau pielea.
2. **Dacă se recomandă utilizarea unei protecții pentru periere, nu permiteți nicio interferență a discului sau periei din sârmă cu protecția.** Discul sau peria din sârmă își pot mări diametrul din cauza sarcinilor de lucru și a forțelor centrifugale.

Avertismente suplimentare privind siguranța:

1. **Atunci când folosiți discuri cu centru adâncit, asigurați-vă că folosiți numai discuri armate cu fibră de sticlă.**
2. **NU UTILIZAȚI NICIODATĂ discuri abrazive în formă de oală cu acest polizor.** Acest polizor nu este conceput pentru aceste tipuri de discuri, iar utilizarea unui astfel de produs poate duce la accidentări grave.
3. **Fiți atenți să nu deteriorați arborele, flanșa (în special suprafața de montaj) sau contrapiulița.** Deteriorarea acestor piese poate conduce la ruperea discului.
4. **Asigurați-vă că discul nu intră în contact cu piesa de prelucrat înainte de a apăsa comutatorul.**
5. **Înainte de utilizarea mașinii pe piesa propriu-zisă, lăsați-o să funcționeze în gol pentru un timp.** Încercați să identificați orice vibrație sau oscilație care ar putea indica o instalare necorespunzătoare sau un disc neechilibrat.
6. **Folosiți fața specificată a discului pentru a executa polizarea.**
7. **Nu lăsați mașina în funcțiune.** Folosiți mașina numai când o țineți cu mâinile.
8. **Nu atingeți piesa prelucrată imediat după executarea lucrării; aceasta poate fi extrem de fierbinte și poate provoca arsuri ale pielii.**
9. **Respectați instrucțiunile producătorului cu privire la montarea și utilizarea corectă a discurilor.** Manipulați și depozitați cu atenție discurile.
10. **Nu folosiți reducții cu mufă sau adaptoare separate pentru a adapta roțile abrazive cu gaură mare.**
11. **Folosiți numai flanșele specificate pentru această mașină.**
12. **Pentru mașinile destinate a fi echipate cu disc cu gaură filetată, asigurați-vă că filetul discului este suficient de lung pentru lungimea arborelui.**
13. **Verificați ca piesa de prelucrat să fie sprijinită corect.**
14. **Rețineți că discul continuă să se rotească după oprirea mașinii.**
15. **Dacă locul de muncă este extrem de calduros și umed, sau foarte poluat cu pulbere conductoare, folosiți un întrerupător de scurt-circuitare (30 mA) pentru a asigura protecția utilizatorului.**
16. **Nu folosiți mașina pe materiale care conțin azbest.**
17. **Când folosiți discuri abrazive de rețezat, lucrați întotdeauna cu apărătoarea colectoare de praf a discului, impusă de reglementările naționale.**
18. **Discurile de rețezat nu trebuie supuse niciunei presiuni laterale.**

19. **Nu purtați mănuși de lucru din pânză în timpul operației.** Fibrele din mănușile de pânză pot intra în mașină, ducând la blocarea mașinii.

PĂSTRAȚI ACESTE INSTRUCȚIUNI.

⚠️ AVERTIZARE: NU permiteți comodității și familiarizării cu produsul (obținute prin utilizare repetată) să înlocuiască respectarea strictă a normelor de securitate pentru acest produs. **FOLOSIREA INCORECTĂ** sau nerespectarea normelor de securitate din acest manual de instrucțiuni poate provoca vătămări corporale grave.

DESCRIEREA FUNCȚIILOR

⚠️ ATENȚIE: Asigurați-vă că ați oprit mașina și că ați deconectat-o de la rețea înainte de a o regla sau de a verifica starea sa de funcționare.

Pârghie de blocare a axului

Apăsați pârghia de blocare a axului pentru a preveni rotirea arborelui atunci când montați sau demontați accesoriile.

► Fig.1: 1. Pârghie de blocare a axului

NOTĂ: Nu acționați niciodată pârghia de blocare a axului în timpul mișcării arborelui. Mașina poate fi avariată.

Acționarea întrerupătorului

⚠️ ATENȚIE: Înainte de a conecta mașina, verificați întotdeauna dacă comutatorul glisant funcționează corect și revine în poziția „OFF” (Oprire) atunci când se apasă partea din spate a comutatorului glisant.

⚠️ ATENȚIE: Comutatorul poate fi blocat în poziția „ON” (pornire) pentru confortul utilizatorului în timpul utilizării prelungite. Acordați atenție atunci când blocați mașina în poziția „ON” (pornire) și țineți mașina ferm.

Pentru a porni mașina, deplasați comutatorul glisant spre poziția „I (ON)” (pornit), apăsând partea posterioară a comutatorului. Pentru funcționare continuă, apăsați partea din față a comutatorului glisant pentru a-l bloca.

Pentru a opri mașina, apăsați partea posterioară a comutatorului glisant și apoi glisați-l spre poziția „O (OFF)” (oprit).

► Fig.2: 1. Comutator glisant

Protecția împotriva repornirii accidentale

Unealta nu pornește cu butonul blocat chiar dacă ștecherul este în priză.

Pentru a anula protecția împotriva repornirii accidentale, readuceți comutatorul de alimentare la poziția OFF (oprit).

NOTĂ: Așteptați cel puțin o secundă înainte de a reporni mașina atunci când protecția împotriva repornirii accidentale este activă.

NOTĂ: Când mașina este supraîncărcată și temperatura mașinii atinge un anumit nivel, mașina se oprește automat. În această situație, lăsați mașina să se răcească înainte de a o reporni.

Funcție de pornire lentă

Funcția de pornire lentă atenuază șocul de pornire.

ASAMBLARE

⚠ATENȚIE: Asigurați-vă că ați oprit mașina și că ați deconectat-o de la rețea înainte de a efectua vreo intervenție asupra mașinii.

Instalarea mânerului lateral (mâner)

⚠ATENȚIE: Asigurați-vă că mânerul lateral este bine fixat înainte de a pune mașina în funcțiune.

Înșurubați ferm mânerul lateral la mașină în poziția prezentată în figură.

► Fig.3

Instalarea sau demontarea apărătorii pentru disc (Pentru disc cu centru depresat, disc lamelar, disc flexibil, perie de disc din sârmă/ disc abraziv de retezat, disc de diamant)

⚠AVERTIZARE: Atunci când utilizați un disc cu centru depresat, un disc lamelar, un disc flexibil sau o perie de disc din sârmă, apărătoarea discului trebuie montată pe mașină astfel încât partea închisă a apărătorii să fie întotdeauna orientată către operator.

⚠AVERTIZARE: Atunci când utilizați un disc abraziv pentru retezat/disc de diamant, asigurați-vă că utilizați doar apărătoarele pentru disc proiectate special pentru a fi utilizate împreună cu discuri abrazive de retezat.

(În unele țări europene, la utilizarea unui disc de diamant, poate fi utilizată o apărătoare obișnuită. Respectați regulamentele din țara dumneavoastră.)

Pentru mașinile cu apărătoare pentru disc cu șurub de blocare

Montați apărătoarea pentru disc cu partea proeminentă pe banda apărătorii pentru disc aliniată cu fantele de pe lagăr. Apoi rotiți apărătoarea discului în așa fel încât să protejeze operatorul în timpul lucrului. Asigurați-vă că ați strâns ferm șurubul.

Pentru a demonta apărătoarea discului, executați în ordine inversă operațiile de montare.

► Fig.4: 1. Apărătoarea discului 2. Lagăr 3. Șurub

Pentru mașinile cu apărătoare pentru disc cu pârghie de strângere

Slăbiți șurubul și apoi trageți pârghia în direcția săgeții. Montați apărătoarea pentru disc cu partea proeminentă pe banda apărătorii pentru disc aliniată cu fantele de pe lagăr. Apoi rotiți apărătoarea discului în așa fel încât să protejeze operatorul în timpul lucrului.

► Fig.5: 1. Apărătoarea discului 2. Lagăr 3. Șurub 4. Pârghie

Trageți pârghia în direcția săgeții. Apoi strângeți apărătoarea pentru disc cu ajutorul șurubului. Asigurați-vă că ați strâns ferm șurubul. Unghiul de reglare al apărătorii pentru disc poate fi reglat cu ajutorul pârghiei.

► Fig.6: 1. Șurub 2. Pârghie

Pentru a demonta apărătoarea discului, executați în ordine inversă operațiile de montare.

Montarea sau demontarea discului cu centru depresat sau discului lamelar

Accesorii opționale

⚠AVERTIZARE: Atunci când utilizați un disc cu centru depresat sau un disc lamelar, apărătoarea discului trebuie montată pe mașină astfel încât partea închisă a apărătorii să fie întotdeauna orientată către operator.

⚠ATENȚIE: Asigurați-vă că piesa de montare a flanșei interioare se potrivește perfect în diametrul interior al discului cu centru depresat/discului lamelar. Montarea flanșei interioare pe partea incorectă poate duce la vibrații periculoase.

Montați flanșa interioară pe arbore.

Asigurați-vă că fixați partea crestată a flanșei interioare pe partea dreaptă de la baza arborelui.

Instalați discul cu centru depresat/discul lamelar pe flanșa interioară și înșurubați contrapiulița pe arbore.

► Fig.7: 1. Contrapiuliță 2. Disc cu centru depresat 3. Flanșă interioară 4. Piesă de montare

Pentru a strânge contrapiulița, apăsați puternic pârghia de blocare a axului astfel încât arborele să nu se poată roti, apoi folosiți cheia pentru contrapiuliță și strângeți ferm în sens orar.

► Fig.8: 1. Cheie pentru contrapiuliță 2. Pârghie de blocare a axului

Pentru a demonta discul, executați în ordine inversă operațiile de montare.

Flanșă super

Accesorii opționale

Doar pentru mașini cu filet de arbore M14.

Modelele cu litera F sunt dotate standard cu o flanșă super. În comparație cu tipul uzual, este necesar doar 1/3 din efort pentru a desface contrapiulița.

Montarea sau demontarea discului flexibil

Accesorii opționale

AVERTIZARE: Utilizați întotdeauna apărătoarea furnizată când discul flexibil este montat pe mașină. Discul se poate sparge în timpul utilizării, iar apărătoarea ajută la reducerea riscului de vătămare.

- Fig.9: 1. Contrapiuliță 2. Disc flexibil 3. Taler suport
4. Flanșă interioară

Urmați instrucțiunile pentru discul cu centru depresat, dar utilizați, de asemenea, un taler de plastic peste disc. Consultați ordinea de asamblare la pagina cu accesorii din acest manual.

Montarea sau demontarea discului abraziv

Accesorii opționale

- Fig.10: 1. Contrapiuliță de presare 2. Disc abraziv
3. Taler de cauciuc

1. Montați talerul de cauciuc pe arbore.
2. Instalați discul pe talerul de cauciuc și înșurubați contrapiulița de presare pe arbore.
3. Fixați arborele cu pârghia de blocare a axului și strângeți fix contrapiulița de presare cu cheia pentru contrapiuliță.

Pentru a demonta discul, executați în ordine inversă operațiile de instalare.

NOTĂ: Folosiți accesorii pentru polizor specificate în acest manual. Acestea trebuie achiziționate separat.

OPERAREA

AVERTIZARE: Nu este niciodată necesară forțarea mașinii. Greutatea mașinii exercită o presiune adecvată. Forțarea și exercitarea unei presiuni excesive pot provoca ruperea periculoasă a discului.

AVERTIZARE: Înlocuiți ÎNTOTDEAUNA discul dacă scăpați mașina pe jos în timpul rectificării.

AVERTIZARE: Nu loviți NICIODATĂ discul abraziv de piesa prelucrată.

AVERTIZARE: Evitați izbiturile și salturile discului, în special când prelucrați colțuri, muchii ascuțite etc. Acestea pot provoca pierderea controlului și reculerii.

AVERTIZARE: Nu folosiți NICIODATĂ mașina cu discuri de tăiat lemne sau alte discuri de ferăstrău. Astfel de discuri folosite cu polizorul pot sări, ducând la pierderea controlului mașinii și la accidentări.

ATENȚIE: Nu porniți niciodată mașina atunci când aceasta se află în contact cu piesa de prelucrat, deoarece poate vătăma operatorul.

ATENȚIE: Purtați întotdeauna ochelari de protecție și o mască de protecție în timpul lucrului.

ATENȚIE: După terminarea operației, opriți întotdeauna mașina și așteptați ca discul să se oprească complet înainte de a așeza mașina.

ATENȚIE: Țineți ÎNTOTDEAUNA mașina ferm cu o mână pe carcasă și cu cealaltă pe mânerul lateral (mâner).

Operația de rectificare și șlefuire

- Fig.11

Porniți mașina și apoi aplicați discul pe piesa de prelucrat.

În principiu, mențineți muchia discului la un unghi de circa 15° față de suprafața piesei de prelucrat.

Pe durata perioadei de rodaj a unui disc nou, nu prelucrați cu polizorul pe direcția înainte deoarece aceasta va tăia în piesa de prelucrat. După ce marginea discului a fost rotunjită prin utilizare, discul poate fi utilizat atât în direcția înainte, cât și în direcția înapoi.

Operarea cu disc de retezare abraziv/disc de diamant

Accesorii opționale

⚠️ AVERTIZARE: Atunci când utilizați un disc abraziv pentru retezat/disc de diamant, asigurați-vă că utilizați doar apărătoarele pentru disc proiectate special pentru a fi utilizate împreună cu discuri abrazive de retezat.

(În unele țări europene, la utilizarea unui disc de diamant, poate fi utilizată o apărătoare obișnuită. Respectați reglementările din țara dumneavoastră.)

⚠️ AVERTIZARE: NU utilizați niciodată discul abraziv de retezat la polizarea laterală.

⚠️ AVERTIZARE: Nu „înțepeniți” discul și nici nu aplicați o presiune excesivă. Nu încercați să executați o adâncime excesivă a tăieturii. Supratensionarea discului mărește sarcina și susceptibilitatea de a torsiona sau a de a înțepeni discul în tăietură și posibilitatea de recul, spargerea discului și supraîncălzirea motorului.

⚠️ AVERTIZARE: Nu porniți operația de retezare în piesa de prelucrat. Lăsați discul să ajungă la viteza maximă și pătrundeți cu atenție în tăietură prin mutarea sculei spre înainte pe suprafața piesei de prelucrat. Discul se poate înțepeni, se poate deplasa în sus sau poate provoca un recul dacă mașina electrică este repornită în piesa de lucru.

⚠️ AVERTIZARE: În timpul operațiilor de retezare, nu schimbați niciodată unghiul discului. Aplicarea unei presiuni laterale asupra discului abraziv de retezat (ca la polizare) va cauza fisurarea și spargerea discului, producând leziuni grave.

⚠️ AVERTIZARE: Discul de diamant va fi operat perpendicular pe materialul de tăiat.

- **Fig.12:** 1. Contrapiuliță 2. Disc abraziv de retezat / disc de diamant 3. Flanșă interioară 4. Apărătoare pentru disc abraziv de retezat/disc de diamant

Pentru montare, urmați instrucțiunile pentru discul cu centru depresat.

Direcția de montare a contrapiuliței și a flanșei interioare variază în funcție de tipul și de grosimea discului.

Consultați figurile următoare.

Pentru modelul de 100 mm (4")

La instalarea discului abraziv de retezat:

- **Fig.13:** 1. Contrapiuliță 2. Disc abraziv de retezat (mai subțire 4 mm (5/32")) 3. Disc abraziv de retezat (4 mm (5/32")) sau mai gros) 4. Flanșă interioară

La instalarea discului diamantat:

- **Fig.14:** 1. Contrapiuliță 2. Disc diamantat (mai subțire 4 mm (5/32")) 3. Disc diamantat (4 mm (5/32")) sau mai subțire) 4. Flanșă interioară

Pentru modelul de 115 mm (4 - 1/2") / 125 mm (5")

La instalarea discului abraziv de retezat:

- **Fig.15:** 1. Contrapiuliță 2. Disc abraziv de retezat (mai subțire 4 mm (5/32")) 3. Disc abraziv de retezat (4 mm (5/32")) sau mai gros) 4. Flanșă interioară

La instalarea discului diamantat:

- **Fig.16:** 1. Contrapiuliță 2. Disc diamantat (mai subțire 4 mm (5/32")) 3. Disc diamantat (4 mm (5/32")) sau mai subțire) 4. Flanșă interioară

Utilizarea cu peria oală de sârmă

Accesorii opționale

⚠️ ATENȚIE: Verificați operarea periei prin rotirea uneltei fără sarcină, asigurându-vă că nu se află nimeni în fața sau în linie cu peria.

⚠️ ATENȚIE: Nu utilizați o perie care este deteriorată sau neechilibrată. Utilizarea unei perii deteriorate poate crește potențialul de accidentare prin contact cu sârmele periei deteriorate.

- **Fig.17:** 1. Perie oală de sârmă

Deconectați mașina și amplasați-o cu fața în jos pentru a permite accesul ușor la arbore.

Îndepărtați orice accesorii de pe arbore. Înfășurați peria oală de sârmă pe arbore și strângeți cu cheia furnizată.

NOTĂ: Evitați să aplicați o presiune prea mare care ar putea cauza îndoirea firelor la utilizarea periei. Aceasta poate duce la o rupere timpurie.

Utilizarea cu peria de disc din sârmă

Accesorii opționale

⚠️ ATENȚIE: Verificați operarea periei de disc din sârmă prin rotirea uneltei fără sarcină, asigurându-vă că nu se află nimeni în fața sau în linie cu peria de disc din sârmă.

⚠️ ATENȚIE: Nu utilizați o perie de disc din sârmă care este deteriorată sau neechilibrată. Utilizarea unei perii de disc din sârmă deteriorate poate mări pericolul de accidentare prin contact cu sârmele deteriorate.

⚠️ ATENȚIE: Protejați-vă ÎNTOTDEAUNA față de periele de disc din sârmă, asigurându-vă că diametrul discului se încadrează în interiorul apărătorii. Discul se poate sparge în timpul utilizării, iar apărătoarea ajută la reducerea riscului de vătămare.

- **Fig.18:** 1. Perie de disc din sârmă

Deconectați mașina și amplasați-o cu fața în jos pentru a permite accesul ușor la arbore.

Îndepărtați orice accesorii de pe arbore. Înfășurați peria de disc din sârmă pe arbore și strângeți cu cheia furnizată.

NOTĂ: Evitați să aplicați o presiune prea mare care ar putea cauza îndoirea firelor la utilizarea periei de disc din sârmă. Aceasta poate duce la o rupere timpurie.

ÎNȚREȚINERE

ATENȚIE: Asigurați-vă că ați oprit mașina și că ați deconectat-o de la rețea înainte de a efectua operațiuni de inspecție sau întreținere.

NOTĂ: Nu utilizați niciodată gazolină, benzină, diluant, alcool sau alte substanțe asemănătoare. În caz contrar, pot rezulta decolorări, deformări sau fisuri.

Curățarea fanțelor de ventilație

Mașina și fanțele sale de ventilație trebuie păstrate curate. Curățați fanțele de ventilație ale mașinii în mod regulat sau ori de câte ori devin îmbăcsite.

► **Fig.19:** 1. Fantă de evacuare 2. Fantă de aspirație

Pentru a menține SIGURANȚA și FIABILITATEA produsului, reparațiile și orice alte lucrări de întreținere sau reglare trebuie executate de centre de service Makita autorizate sau proprii, folosind întotdeauna piese de schimb Makita.

ACCESORII OPȚIONALE

ATENȚIE: Folosiți accesoriile sau piesele auxiliare recomandate pentru mașina dumneavoastră Makita în acest manual. Utilizarea oricăror alte accesorii sau piese auxiliare poate prezenta risc de vătămare corporală. Utilizați accesoriile și piesele auxiliare numai în scopul destinat.

Dacă aveți nevoie de asistență sau de mai multe detalii referitoare la aceste accesorii, adresați-vă centrului local de service Makita.

► **Fig.20**

-	Model 100 mm (4")	Model 115 mm (4-1/2")	Model 125 mm (5")
1	Mâner 36		
2	Apărătoare pentru disc (pentru disc abraziv)		
3	Flanșă interioară	Flanșă interioară sau flanșă super	
4	Disc cu centru depresat/disc lamelar		
5	Contrapiuliță		
6	Taler suport		
7	Disc flexibil		
8	Taler de cauciuc 76	Taler de cauciuc 100	Taler de cauciuc 115
9	Disc abraziv		
10	Contrapiuliță de presare		
11	Perie de disc din sârmă		
12	Perie oală de sârmă		
13	Apărătoare pentru disc (pentru discul abraziv de retezat) *1		
14	Disc abraziv de retezat / disc de diamant		
-	Cheie pentru contrapiuliță		

NOTĂ: *1 În unele țări europene, la utilizarea unui disc de diamant, poate fi utilizată o apărătoare obișnuită poate fi utilizată în locul apărătorii speciale acoperind ambele părți ale discului. Respectați reglementările din țara dumneavoastră.

NOTĂ: Unele articole din listă pot fi incluse ca accesorii standard în ambalajul de scule. Acestea pot diferi în funcție de țară.

ТЕХНІЧНІ ХАРАКТЕРИСТИКИ

Модель:	GA4030R	GA4530R	GA5030R
Діаметр круга	100мм (4")	115мм (4-1/2")	125мм (5")
Макс. товщина круга	6,4мм	7,2мм	
Різьба шпінделя	M10	M14 або 5/8" (запечити від країни продажу)	
Номінальна швидкість (n)	11 000хв ⁻¹		
Загальна довжина	266мм		
Маса нетто	1,7кг	1,8кг	
Клас безпеки	II/II		

- Оскільки наша програма наукових досліджень і розробок триває безперервно, наведені тут технічні характеристики можуть бути змінені без попередження.
- У різних країнах технічні характеристики можуть бути різними.
- Маса відповідно до ЕРТА-Procedure 01/2003

Призначення

Інструмент призначено для шліфування абразивним кругом/диском, шліфування абразивним папером та різання металевих і мінеральних матеріалів без використання води.

Джерело живлення

Інструмент можна підключати лише до джерела живлення, що має напругу, зазначену в таблиці із заводськими характеристиками, і він може працювати лише від однофазного джерела змінного струму. Він має подвійну ізоляцію, а отже може також підключатися до розеток без лінії заземлення.

Шум

Рівень шуму за шкалою А в типовому виконанні, визначений відповідно до стандарту EN60745:
Рівень звукового тиску (L_{pA}): 85 дБ (А)
Рівень звукової потужності (L_{WA}): 96 дБ (А)
Похибка (К): 3 дБ (А)

▲ ПОПЕРЕДЖЕННЯ: Користуйтеся засобами захисту органів слуху.

Вібрація

Загальна величина вібрації (векторна сума трьох напрямків) визначена згідно з EN60745:

Модель GA4030R

Режим роботи: шліфування поверхню
Розповсюдження вібрації ($a_{h,AG}$): 7,0 м/с²
Похибка (К): 1,5 м/с²
Режим роботи: шліфування диском
Вібрація ($a_{h,DS}$): 2,5 м/с² або менше
Похибка (К): 1,5 м/с²

Модель GA4530R

Режим роботи: шліфування поверхню
Розповсюдження вібрації ($a_{h,AG}$): 7,5 м/с²
Похибка (К): 1,5 м/с²

Режим роботи: шліфування диском
Вібрація ($a_{h,DS}$): 2,5 м/с² або менше
Похибка (К): 1,5 м/с²

Модель GA5030R

Режим роботи: шліфування поверхню
Розповсюдження вібрації ($a_{h,AG}$): 8,5 м/с²
Похибка (К): 1,5 м/с²
Режим роботи: шліфування диском
Вібрація ($a_{h,DS}$): 2,5 м/с² або менше
Похибка (К): 1,5 м/с²

ПРИМІТКА: Заявлене значення вібрації було виміряно відповідно до стандартних методів тестування та може використовуватися для порівняння одного інструмента з іншим.

ПРИМІТКА: Заявлене значення вібрації може також використовуватися для попередньої оцінки впливу.

▲ ПОПЕРЕДЖЕННЯ: Залежно від умов використання вібрація під час фактичної роботи електроінструмента може відрізнятися від заявленого значення вібрації.

▲ ПОПЕРЕДЖЕННЯ: Забезпечте належні запобіжні заходи для захисту оператора, що відповідатимуть умовам використання інструмента (слід брати до уваги всі складові робочого циклу, такі як час, коли інструмент вимкнено та коли він починає працювати на холостому ході під час запуску).

▲ ПОПЕРЕДЖЕННЯ: Заявлене значення вібрації відноситься до основних операцій, що виконуються за допомогою електроінструмента. Однак у разі використання інструмента з іншою метою значення вібрації може відрізнятися.

Декларація про відповідність стандартам ЄС

Тільки для країн Європи

Декларацію про відповідність стандартам ЄС наведено в Додатку А до цієї інструкції з експлуатації.

Загальні застереження щодо техніки безпеки при роботі з електроінструментами

▲ ПОПЕРЕДЖЕННЯ: Прочитайте усі застереження стосовно техніки безпеки та всі інструкції. Недотримання попереджень та інструкцій може призвести до ураження електричним струмом, до виникнення пожежі та/або до отримання серйозних травм.

Збережіть усі інструкції з техніки безпеки та експлуатації на майбутнє.

Термін «електроінструмент», зазначений у інструкції з техніки безпеки, стосується електроінструмента, який функціонує від електромережі (електроінструмент з кабелем живлення), або електроінструмента з живленням від батареї (безпроводний електроінструмент).

Попередження про необхідну обережність під час роботи з шліфувальною машиною

Загальні попередження про необхідну обережність для операцій шліфування абразивним кругом/диском, шліфування абразивним папером, зачищення металевою щіткою та абразивного відрізання:

1. Цей електроінструмент призначено для шліфування абразивним кругом/диском, шліфування абразивним папером, зачищення металевою щіткою або відрізання. Уважно ознайомтеся з усіма попередженнями про необхідну обережність, інструкціями, ілюстраціями та технічними характеристиками, що стосуються цього електроінструмента. Невиконання цих інструкцій може призвести до ураження електричним струмом, пожежі та/або важких травм.
2. Цей електроінструмент не рекомендовано використовувати для полірування. Використання електроінструмента не за призначенням може спричинити небезпечну ситуацію та призвести до отримання травм.
3. Заборонено використовувати приладдя, які спеціально не призначені для цього інструмента та не рекомендовані виробником. Навіть якщо приладдя можна приєднати до інструмента, це не гарантує безпечної експлуатації.
4. Номінальна швидкість приладдя повинна щонайменше дорівнювати максимальній швидкості, яка вказана на електроінструменті. Приладдя, що обертається зі швидкістю, більшою за номінальну, може зламатися та відскочити.

5. Зовнішній діаметр та товщина приладдя повинні бути в межах номінальних характеристик електроінструмента. Приладдя неналежних розмірів не можна захистити або контролювати належним чином.
6. Різьба на кріпленні приладдя повинна відповідати різьбі на шпинделі шліфувальної машини. Центровий отвір приладдя, що встановлюється на фланець, повинен відповідати установлюваному діаметру фланця. Приладдя, що не підходить до кріплення електроінструмента, зазнає розбалансування і надмірної вібрації та може спричинити втрату контролю.
7. Не можна використовувати пошкоджене приладдя. Перед кожним використанням слід перевірити приладдя, як-от абразивні круги, на наявність зазубин і тріщин, підкладку — на наявність тріщин або зношення, а металеві щітки — на наявність послаблених або тріснутих дротів. У разі падіння електроінструмента або приладдя необхідно оглянути виріб на наявність пошкоджень або встановити неушкоджене приладдя. Після огляду та встановлення приладдя займіть таке положення, щоб ви та сторонні особи перебували поза площиною обертання приладдя, запустіть інструмент та дайте йому попрацювати на максимальній швидкості без навантаження протягом однієї хвилини. Під час такого пробного запуску пошкоджене приладдя зазвичай розпадається на частини.
8. Використовуйте засоби індивідуального захисту. Відповідно до ділянки застосування необхідно користуватися захисним щитком або захисними окулярами. За необхідності носіть пілозахисну маску, засоби захисту органів слуху, рукавиці та робочий фартух, які здатні затримувати дрібні частинки абразивного матеріалу або деталі. Засоби захисту органів зору повинні бути здатними затримувати уламки, що утворюються під час виконання різних операцій. Пілозахисна маска або респіратор повинні фільтрувати частинки, що утворюються під час роботи. Тривала дія сильного шуму може призвести до втрати слуху.
9. Сторонні особи повинні знаходитися на безпечній відстані від місця роботи. Кожна особа, яка входить до робочої зони, має носити засоби індивідуального захисту. Частинки деталі або уламки приладдя можуть відлетіти за межі безпосередньої робочої зони та спричинити травмування.
10. Тримайте електроінструмент тільки за призначені для цього ізольовані поверхні під час виконання дії, за якої ріжучий інструмент може зачепити приховану електропроводку або власний шнур. Торкання ріжучим приладдям дроту під напругою може призвести до передавання напруги до оголених металевих частин інструмента та до ураження оператора електричним струмом.

11. **Шнур має знаходитися на відстані від приладдя, що обертається.** Якщо втратити контроль, шнур може бути перерізано або пошкоджено, і руку може бути затягнуто до приладдя, що обертається.
12. **Не можна відкладати електроінструмент, поки приладдя повністю не зупиниться.** Приладдя, що обертається, може зачепити поверхню та вирвати електроінструмент з-під контролю.
13. **Не можна працювати з електроінструментом, тримаючи його поряд із собою.** У результаті випадкового контакту приладдя, що обертається, може зачепити одяг та призвести до руху приладдя в напрямку тіла.
14. **Регулярно очищуйте вентиляційні отвори електроінструмента.** Вентилятор двигуна втягує пил усередину кожуха, а надмірне скупчення металевого порошку створює ризик ураження електричним струмом.
15. **Не можна працювати з електроінструментом поблизу легкозаймистих матеріалів.** Ці матеріали можуть спалахнути від іскри.
16. **Не можна використовувати приладдя, що потребує застосування охолоджувальних рідин.** Використання води або інших охолоджувальних рідин може призвести до ураження електричним струмом.

Віддача та відповідні попередження

Віддача — це раптова реакція на защемлення або чіпання круга, що обертається, підкладки, щітки або будь-якого іншого приладдя. Защемлення або чіпання призводить до швидкої зупинки приладдя, що обертається, і це в свою чергу спричиняє неконтрольований рух електроінструмента у напрямку, протилежному до напрямку обертання приладдя у місці заклинювання. Наприклад, якщо абразивний круг защемлений або зачеплений деталлю, край круга, що входить до місця защемлення, може увійти в поверхню матеріалу, що призведе до відскоку круга або віддачі. Круг може відскочити в напрямку оператора або від нього; це залежить від напрямку руху круга в місці защемлення. За таких умов абразивні круги можуть зламатися. Причинами віддачі є неправильне користування електроінструментом та/або неправильні умови чи порядок експлуатації; її можна уникнути, вживши запобіжних заходів, зазначених нижче.

1. **Міцно тримайте електроінструмент та займіть таке положення, яке дозволить вам опиратися силі віддачі.** Обов'язково користуйтеся допоміжною рукою (за наявності), щоб збільшити до максимуму контроль за віддачею або реакцією від крутного моменту під час пуску. Якщо вжити всіх запобіжних заходів, оператор зможе контролювати реакцію крутного моменту або силу віддачі.
2. **У жодному разі не можна тримати руку біля приладдя, що обертається.** Приладдя може під час віддачі травмувати руку.
3. **Не можна розташовувати тіло в зоні, у яку рухатиметься інструмент під час віддачі.** Віддача призведе до штовхання інструмента у місці торкання круга та робочої деталі в напрямку, протилежному напрямку обертання круга.

4. **Необхідна особлива обережність під час обробки кутів, гострих країв тощо.** Уникайте відскоків та чіпання приладдя. Куті, гострі краї або відскоки призводять до чіпання приладдя, що обертається, спричиняючи втрату контролю та віддачу.
5. **Заборонено прикріплювати диск ланцюгової пили для різання по дереву або диск зубчастої пили.** Такі диски часто спричиняють віддачу та втрату контролю.

Спеціальні попередження про необхідну обережність під час шліфування абразивним кругом та абразивного відрізання:

1. **Використовуйте тільки типи кругів, які рекомендовано для цього електроінструмента, а також спеціальний захисний кожух, призначений для обраного круга.** Круги, для роботи з якими електроінструмент не призначено, не можна надійно закрити захисним кожухом, тому вони становлять небезпеку.
2. **Шліфувальну поверхню кругів із загльбленим центром необхідно встановити під площиною кромки захисного кожуха.** Неправильно встановлений круг, який виступає за площину кромки захисного кожуха, не можна закрити належним чином.
3. **Захисний кожух необхідно надійно прикріпити до електроінструмента та розташувати для забезпечення максимальної безпеки, щоб круг був якомога менше відкритим у напрямку оператора.** Кожух захищає оператора від уламків зламаного круга, від випадкового контакту з кругом та від іскор, через які може зайнятися одяг.
4. **Круги необхідно використовувати тільки за рекомендованим призначенням.** Наприклад, не можна шліфувати бічною стороною відрізного круга. Абразивні відрізни круги призначені для шліфування периферією круга; у разі докладання бічних зусиль до цих кругів вони можуть розколотися.
5. **Обов'язково використовуйте неушкоджені фланці кругів, розмір та форма яких відповідають обраному кругу.** Правильно підібрані фланці добре підтримують круг і таким чином зменшують імовірність його поломки. Фланці для відрізних кругів можуть відрізнятись від фланців для шліфувальних кругів.
6. **Не можна використовувати зношені круги від більших електроінструментів.** Круг, призначений для більшого електроінструмента, не підходить до вищої швидкості меншого інструмента та може розірватися.

Додаткові спеціальні попередження про необхідну обережність під час абразивного відрізання:

1. **Не можна «заклинювати» відрізний круг або прикладати надмірний тиск.** Не намагайтеся зробити розріз надмірної глибини. Надмірний тиск на круг збільшує навантаження та схильність до перекошування або заклинювання круга у розрізі, а також створює можливість віддачі або поломки круга.
2. **Не можна знаходитися на одній лінії з кругом або позаду круга, що обертається.** Коли під час роботи круг рухається від вас, то можлива віддача може відштовхнути круг, що обертається, та інструмент прямо у ваш бік.

3. Якщо круг застрягне або різання буде перервано з будь-якої причини, вимкніть електрострумент та потримайте його нерухомо до повної зупинки круга. У жодному разі не намагайтеся витягти відрізний круг із розрізу, поки він рухається; недотримання цієї вимоги може призвести до віддачі. Огляньте круг та вживіть необхідних заходів, щоб усунути причину його заклинювання.
4. Заборонено заново починати операцію різання, коли круг знаходиться в робочій деталі. Спочатку круг повинен набрати повної швидкості, а потім його слід обережно знову ввести у проріз. Якщо електроінструмент перезапустили, коли круг знаходиться в робочій деталі, круг може застрягти, спінутися або спричинити віддачу.
5. Необхідно підтримувати панелі або будь-які деталі великого розміру, щоб мінімізувати ризик заземлення круга або виникнення віддачі. Великі робочі деталі зазвичай прогинаються під власною вагою. Опори необхідно розташовувати під деталлю поблизу лінії різання та поблизу робочої деталі з обох боків круга.
6. Необхідна особлива обережність під час вирізання виїмок в наявних стінах або інших невидимих зонах. Виступаючий круг може зачепити газо- або водопровід, електропроводку або предмети, що можуть спричинити віддачу.

Спеціальні попередження про необхідну обережність під час шліфування абразивним папером:

1. Заборонено використовувати папір для шліфувального диска завеликого розміру. Вибираючи абразивний папір, дотримуйтеся рекомендацій виробника. Завеликий абразивний папір, що виступає за межі шліфувальної підкладки, становить небезпеку поранення та може призвести до чіпання, задирання диска або до віддачі.

Спеціальні попередження про необхідну обережність під час зачищення металевою щіткою:

1. Пам'ятайте, що від щітки відлітають уламки дроту, навіть під час звичайної роботи. Не перенапружуйте дріт, прикладаючи надмірне навантаження до щітки. Уламки дроту можуть легко пробити легкий одяг та/або шкіру.
2. Якщо під час зачищення металевою щіткою рекомендовано використовувати захисний кожух, не допускайте контакту щітки та кожуха. Під дією робочого навантаження та відцентрових сил діаметр щітки або дискової дрітчастої щітки може збільшитися.

Додаткові попередження про необхідну обережність:

1. У разі використання шліфувальних кругів із заглибленим центром використовуйте лише круги, армовані скловолокном.
2. У ЖОДНОМУ РАЗІ НЕ ВИКОРИСТОВУЙТЕ з цієї шліфувальною машиною чашоподібні шліфувальні круги для роботи по каменю. Ця шліфувальна машина не призначена для використання кругів такого типу, і таке використання виробу може призвести до важких травм.

3. Будьте обережні, щоб не пошкодити шпindel, фланець (особливо поверхню встановлення) або контргайку. Пошкодження цих деталей може призвести до поломки круга.
4. Перед увімкненням інструмента переконайтеся, що круг не торкається деталі.
5. Перед початком використання інструмента запустіть його та дайте попрацювати йому деякий час. Звертайте увагу на вібрацію або нерівний хід — це може вказувати на незадовільне встановлення або балансування круга.
6. Використовуйте зазначену поверхню круга для шліфування.
7. Не залишайте без нагляду інструмент, який працює. Працюйте з інструментом, тільки тримаючи його в руках.
8. Не торкайтеся деталі одразу після обробки — вона може бути дуже гарячою та спричинити опік шкіри.
9. Дотримуйтеся інструкцій виробника щодо правильного встановлення та використання круга. Поводитися з кругами та зберігати їх необхідно з належною обережністю.
10. Не використовуйте окремі перехідні втулки або адаптери для прикріплення шліфувальних кругів з отворами великого діаметра.
11. Використовуйте тільки фланці, призначені для цього інструмента.
12. При використанні інструментів, призначених для встановлення кругів із різьбовим отвором, необхідно, щоб довжина різьби круга відповідала довжині шпінделя.
13. Перевірте надійність опори робочої деталі.
14. Пам'ятайте, що круг продовжує обертатися після вимкнення інструмента.
15. У разі високої температури, вологості чи рівня забруднення електропровідним пилом на робочому місці використовуйте автоматичний захисний вимикач (30 мА) для забезпечення безпеки оператора.
16. Не застосовуйте інструмент для роботи з матеріалами, що містять азбест.
17. Якщо використовується відрізний круг, обов'язково працюйте з пилозахисним кожухом круга, який відповідає вимогам місцевих норм.
18. Не можна піддавати ріжучі диски боковому тиску.
19. Під час роботи не користуйтеся сукняними робочими рукавицями. Волокно з сукняних рукавиць може потрапити в інструмент, і це призведе до його поломки.

ЗБЕРІГАЙТЕ ЦІ ВКАЗІВКИ.

▲ ПОПЕРЕДЖЕННЯ: НИКОЛИ НЕ втрачайте пильності та не розслабляйтеся під час користування виробом (що можливо при частому користуванні); обов'язково строго дотримуйтеся відповідних правил безпеки. **НЕНАЛЕЖНЕ ВИКОРИСТАННЯ** або недотримання правил безпеки, викладених у цій інструкції з експлуатації, може призвести до серйозних травм.

ОПИС РОБОТИ

▲ОБЕРЕЖНО: Перед тим як регулювати або перевіряти функціональність інструмента, обов'язково переконайтеся, що інструмент вимкнено й від'єднано від електромережі.

Замок вала

Натисніть на замок вала, щоб заблокувати обертання шпинделя під час встановлення або зняття приладдя.

► Рис.1: 1. Замок вала

УВАГА: Заборонено використовувати замок вала, коли шпиндель обертається. Це може призвести до пошкодження інструмента.

Дія вимикача

▲ОБЕРЕЖНО: Перед вмиканням інструмента в мережу обов'язково перевіряйте, чи повзунок спрацьовує належним чином та повертається у положення «вимкнено», коли натиснуто задню частину повзункового перемикача.

▲ОБЕРЕЖНО: Вимикач можна заблокувати в положенні «увімкнено» для зручності оператора у разі тривалого використання. У разі блокування інструмента в положенні «увімкнено» необхідно бути особливо обережним та міцно тримати інструмент.

Щоб запустити інструмент, пересуньте повзунковий перемикач у положення «I (УВІМКНЕНО)», натиснувши на його задню частину. Для неперервної роботи натисніть на передню частину повзункового перемикача, щоб заблокувати його.

Щоб вимкнути інструмент, натисніть на задню частину повзункового перемикача, а потім пересуньте його в положення «O (ВИМКНЕНО)».

► Рис.2: 1. Повзунковий перемикач

Захист від випадкового запуску

Коли вимикач заблоковано, інструмент не запускається, навіть якщо його увімкнено в мережу. Щоб скасувати захист від випадкового запуску, поверніть вимикач у положення OFF (ВИМКНЕНО).

ПРИМІТКА: Коли задіяно захист від випадкового запуску, зачекайте не менше однієї секунди, перш ніж повторно запускати інструмент.

ПРИМІТКА: Коли інструмент знає перевантаження і його температура сягає певного рівня, він автоматично зупиняється. У такому разі дайте інструменту охолонути, перш ніж знову його вмикати.

Функція плавного запуску

Функція плавного запуску гасить поштовх під час запуску інструмента.

ЗБОРКА

▲ОБЕРЕЖНО: Перед виконанням будь-яких робіт з інструментом обов'язково вимкніть його та відключіть від електромережі.

Встановлення бокової рукоятки (ручки)

▲ОБЕРЕЖНО: Перед початком роботи необхідно перевірити надійність кріплення бокової рукоятки.

Надійно пригвинтіть бокову рукоятку до інструмента, як показано на малюнку.

► Рис.3

Установлення та зняття захисного кожуха (для круга з заглибленим центром, пелюсткового диска, гнучкого круга, дискової дрітної щітки / абразивного відрізного круга, алмазного диска)

▲ПОПЕРЕДЖЕННЯ: При використанні круга з заглибленим центром, пелюсткового диска, гнучкого круга або дискової дрітної щітки встановлюйте захисний кожух круга таким чином, щоб закриту сторону кожуха завжди було спрямовано в бік оператора.

▲ПОПЕРЕДЖЕННЯ: Під час застосування абразивного відрізного круга / алмазного диска обов'язково використовуйте тільки спеціальний захисний кожух, призначений для використання з відрізними кругами.

(У деяких країнах Європи під час застосування алмазного диска можна використовувати звичайний захисний кожух. Дотримуйтеся норм та правил, чинних у вашій країні.)

Для інструмента із захисним кожухом круга зі стопорним гвинтом

Установіть захисний кожух круга, сумістивши виступи на його ободі з виймками на корпусі підшипника. Потім поверніть захисний кожух круга на такий кут, щоб він захищав оператора відповідно до виконуваних робіт. Надійно затягніть гвинт.

Щоб зняти захисний кожух круга, виконайте процедуру його встановлення у зворотному порядку.

► Рис.4: 1. Захисний кожух круга 2. Корпус підшипника 3. Гвинт

Для інструмента із захисним кожухом круга із затискним важелем

Відпустіть гвинт і потягніть важіль у напрямку, вказаному стрілкою. Установіть захисний кожух круга, сумістивши виступи на його ободі з виїмками на корпусі підшипника. Потім поверніть захисний кожух круга на такий кут, щоб він захищав оператора відповідно до виконуваних робіт.

► **Рис.5:** 1. Захисний кожух круга 2. Корпус підшипника 3. Гвинт 4. Важіль

Потягніть важіль у напрямку, вказаному стрілкою. Потім затягніть захисний кожух круга за допомогою гвинта. Надійно затягніть гвинт. Кут встановлення захисного кожуха круга можна відрегулювати за допомогою важеля.

► **Рис.6:** 1. Гвинт 2. Важіль

Щоб зняти захисний кожух круга, виконайте процедуру його встановлення у зворотному порядку.

Встановлення або зняття круга з заглибленим центром або пелюсткового диска

Додаткове приладдя

▲ ПОПЕРЕДЖЕННЯ: При використанні круга з заглибленим центром або пелюсткового диска встановлюйте захисний кожух круга таким чином, щоб закрити сторону кожуха завжди було спрямовано в бік оператора.

▲ ОБЕРЕЖНО: Переконайтеся, що монтажна деталь внутрішнього фланця точно відповідає внутрішньому діаметру круга з заглибленим центром / пелюсткового диска. Встановлення внутрішнього фланця на невідповідному боці може призвести до небезпечної вібрації.

Установіть внутрішній фланець на шпindel. Переконайтеся, що зазублену частину внутрішнього фланця встановлено на пряму частину внизу шпindelа.

Встановіть круг із заглибленим центром / пелюстковий диск на внутрішній фланець та накрутіть контргайку на шпindel.

► **Рис.7:** 1. Контргайка 2. Круг із заглибленим центром 3. Внутрішній фланець 4. Монтажна деталь

Щоб затягнути контргайку, міцно натисніть на замок вала, щоб шпindel не міг обертатись, а потім за допомогою ключа для контргайки надійно затягніть її за годинникову стрілку.

► **Рис.8:** 1. Ключ для контргайки 2. Замок вала

Щоб зняти круг, виконайте процедуру його встановлення у зворотному порядку.

Суперфланець

Додаткове приладдя

Тільки для інструментів із різьбою шпindelа M14.

До стандартного комплексу моделей з літерою F входить суперфланець. Порівняно зі звичайним типом необхідно втричі менше зусиль, щоб відпустити контргайку.

Встановлення та зняття гнучкого круга

Додаткове приладдя

▲ ПОПЕРЕДЖЕННЯ: Якщо на інструмент встановлено гнучкий круг, обов'язково використовуйте захисний кожух, що входить до комплексу постачання. Під час використання круг може розколотися, а захисний кожух зменшує ризик травмування.

► **Рис.9:** 1. Контргайка 2. Гнучкий круг 3. Підкладка 4. Внутрішній фланець

Дотримуйтеся інструкцій щодо використання диска із заглибленим центром, але також використовуйте пластикову підкладку, що встановлюється на диск. Порядок монтажу вказано в цій інструкції з експлуатації на сторінці з інформацією про приладдя.

Встановлення або зняття абразивного диска

Додаткове приладдя

► **Рис.10:** 1. Контргайка шліфувального диска 2. Абразивний диск 3. Гумова підкладка

1. Установіть гумову підкладку на шпindel.
2. Установіть диск на гумову підкладку та накрутіть на шпindel контргайку шліфувального диска.
3. Утримуйте шпindel за допомогою замка вала та надійно затягніть контргайку шліфувального диска ключем для контргайки.

Щоб зняти диск, виконайте процедуру встановлення у зворотному порядку.

ПРИМІТКА: Використовуйте приладдя для шліфувальної машини, зазначені в цій інструкції. Їх потрібно купувати окремо.

РОБОТА

▲ ПОПЕРЕДЖЕННЯ: Не потрібно прикладати силу до інструмента. Вага інструмента забезпечує достатній тиск. Прикладання сили та надмірний тиск можуть призвести до небезпечної поломки круга.

▲ ПОПЕРЕДЖЕННЯ: **ОБОВ'ЯЗКОВО** замініть круг, якщо інструмент впав під час роботи.

▲ ПОПЕРЕДЖЕННЯ: **У ЖОДНОМУ РАЗІ** не вдаряйте шліфувальним диском по робочій деталі.

▲ ПОПЕРЕДЖЕННЯ: Уникайте відскоків та чіплення круга, особливо під час обробки кутів, гострих країв тощо. Це може призвести до втрати контролю та віддачі.

▲ ПОПЕРЕДЖЕННЯ: **ЗАБОРОНЕНО** використовувати інструмент із ріжучими дисками для деревини та іншими дисками пили. У разі використання на шліфувальних машинах такі диски часто спричиняють віддачу та призводять до втрати контролю та травмування.

▲ ОБЕРЕЖНО: Заборонено вмикати інструмент, коли він торкається робочої деталі, оскільки це може призвести до травмування оператора.

▲ ОБЕРЕЖНО: Під час роботи обов'язково користуйтеся захисними окулярами або захисним щитком.

▲ ОБЕРЕЖНО: Після закінчення роботи обов'язково вимкніть інструмент та зачекайте, поки круг не зупиниться повністю, перш ніж відкладати інструмент.

▲ ОБЕРЕЖНО: **ОБОВ'ЯЗКОВО** міцно тримайте інструмент однією рукою за корпус, а другою — за бокову рукоятку (ручку).

Шліфування абразивним кругом / диском та абразивним папером

► Рис. 11

Увімкніть інструмент та підведіть круг або диск до робочої деталі. Взагалі слід підтримувати кут близько 15° між краєм круга або диска та поверхнею деталі. Під час періоду припрацювання нового круга не можна пересувати шліфувальну машину вперед, інакше вона може врізатися в деталь. Щойно край круга стане обточеним від використання, круг можна буде пересувати як вперед, так і назад.

Робота з абразивним відрізним кругом / алмазним диском

Додаткове приладдя

▲ ПОПЕРЕДЖЕННЯ: Під час застосування абразивного відрізного круга / алмазного диска обов'язково використовуйте тільки спеціальний захисний кожух, призначений для використання з відрізними кругами.

(У деяких країнах Європи під час застосування алмазного диска можна використовувати звичайний захисний кожух. Дотримуйтеся норм та правил, чинних у вашій країні.)

▲ ПОПЕРЕДЖЕННЯ: **ЗАБОРОНЕНО** використовувати відрізнний круг для бокового шліфування.

▲ ПОПЕРЕДЖЕННЯ: Не можна «заклинювати» круг або піддавати його надмірному тиску. Не намагайтеся зробити розріз надмірної глибини. Перенапруження круга збільшує навантаження та здатність до перекошування або застрягання круга у розрізі, а також створює потенційний ризик віддачі, поломки круга та перегрівання двигуна.

▲ ПОПЕРЕДЖЕННЯ: Заборонено розпочинати різання, коли круг знаходиться в деталі. Спочатку круг повинен набрати повну швидкість, а потім його слід обережно ввести у проріз, пересуваючи інструмент уперед над поверхню деталі. Якщо інструмент запустити, коли круг знаходиться в робочій деталі, круг може застрягти, сіпнутися або спричинити віддачу.

▲ ПОПЕРЕДЖЕННЯ: Під час різання не можна міняти кут нахилу круга. Прикладання бокового тиску до відрізного круга (як під час шліфування) призведе до розтріскування та поломки круга і, як наслідок, до важких травм.

▲ ПОПЕРЕДЖЕННЯ: Алмазний диск необхідно прикладати перпендикулярно до робочої поверхні під час роботи.

► Рис. 12: 1. Контрґайка 2. Абразивний відрізнний круг / алмазний диск 3. Внутрішній фланець 4. Захисний кожух для абразивного відрізного круга / алмазного диска

Стосовно встановлення дотримуйтеся інструкцій для круга із заглибленим центром.

Напрямок встановлення контрґайки та внутрішнього фланця залежить від типу та товщини круга.

Див. наведені далі рисунки.

Для моделі 100 мм (4")

Під час встановлення абразивного відрізного круга:

► Рис. 13: 1. Контрґайка 2. Абразивний відрізнний круг (з товщиною до 4 мм (5/32")) 3. Абразивний відрізнний круг (з товщиною від 4 мм (5/32")) 4. Внутрішній фланець

Під час встановлення алмазного диска:

- **Рис.14:** 1. Контргайка 2. Алмазний диск (з товщиною до 4 мм (5/32")) 3. Алмазний диск (з товщиною від 4 мм (5/32")) 4. Внутрішній фланець

Для моделі 115 мм (4—1/2")/125 мм (5")

Під час встановлення абразивного відрізного круга:

- **Рис.15:** 1. Контргайка 2. Абразивний відрізняний круг (з товщиною до 4 мм (5/32")) 3. Абразивний відрізняний круг (з товщиною від 4 мм (5/32")) 4. Внутрішній фланець

Під час встановлення алмазного диска:

- **Рис.16:** 1. Контргайка 2. Алмазний диск (з товщиною до 4 мм (5/32")) 3. Алмазний диск (з товщиною від 4 мм (5/32")) 4. Внутрішній фланець

Робота з чашоподібною дротяною щіткою

Додаткове приладдя

▲ОБЕРЕЖНО: Перевірте роботу щітки, запустивши інструмент у режимі холостого ходу, наперед переконавшись, що перед щіткою або на одній лінії з нею немає людей.

▲ОБЕРЕЖНО: Не використовуйте пошкоджену або розбалансовану щітку. Використання пошкодженої щітки може збільшити ризик травмування через контакт із дротами пошкодженої щітки.

- **Рис.17:** 1. Чашоподібна дротяна щітка

Вимкніть інструмент з електромережі та переверніть його, щоб мати зручний доступ до шпінделя.

Зніміть усе приладдя зі шпінделя. Накрутіть чашоподібну дротяну щітку на шпіндель та затягніть за допомогою ключа, що входить до комплексу постачання.

УВАГА: Не прикладайте надмірний тиск, від якого дроти можуть сильно погнутися під час використання щітки. Це може призвести до передчасного виходу з ладу.

Робота з дисковою дротяною щіткою

Додаткове приладдя

▲ОБЕРЕЖНО: Перевірте роботу дискової дротяної щітки, запустивши інструмент у режимі холостого ходу, попередньо переконавшись, що перед щіткою або на одній лінії з нею немає людей.

▲ОБЕРЕЖНО: Не використовуйте пошкоджену або розбалансовану дискову дротяну щітку. Використання пошкодженої дискової дротяної щітки може збільшити ризик травмування через контакт із дротами пошкодженої щітки.

▲ОБЕРЕЖНО: Із дисковою дротяною щіткою **ОБОВ'ЯЗКОВО** використовуйте захисний кожух, який відповідає діаметру диска. Під час використання круг може розколотися, а захисний кожух зменшує ризик травмування.

- **Рис.18:** 1. Дискова дротяна щітка

Вимкніть інструмент з електромережі та переверніть його, щоб мати зручний доступ до шпінделя. Зніміть усе приладдя зі шпінделя. Накрутіть дискову дротяну щітку на шпіндель та затягніть за допомогою ключів.

УВАГА: Не прикладайте надмірний тиск, від якого дроти можуть сильно погнутися під час використання дискової дротяної щітки. Це може призвести до передчасного виходу з ладу.

ТЕХНІЧНЕ ОБСЛУГОВУВАННЯ

▲ОБЕРЕЖНО: Перед тим як проводити огляд або технічне обслуговування інструмента, переконайтеся, що його вимкнено і від'єднано від мережі.

УВАГА: Ніколи не використовуйте газолін, бензин, розріджувач, спирт та подібні речовини. Їх використання може призвести до зміни кольору, деформації або появи тріщин.

Очищення вентиляційних отворів

Необхідно підтримувати чистоту інструмента та його вентиляційних отворів. Очищуйте вентиляційні отвори інструмента регулярно та щоразу, коли вони стають заблокованими.

- **Рис.19:** 1. Вихідні вентиляційні отвори 2. Вхідні вентиляційні отвори

Для забезпечення БЕЗПЕКИ та НАДІЙНОСТІ продукції, її ремонт, а також роботи з обслуговування або регулювання повинні виконуватись уповноваженими або заводськими сервісними центрами Makita із використанням запчастин виробництва компанії Makita.

ДОДАТКОВЕ ПРИЛАДДЯ

⚠ ОБЕРЕЖНО: Це додаткове та допоміжне обладнання рекомендовано використовувати з інструментом Makita, зазначеним у цій інструкції з експлуатації. Використання будь-якого іншого додаткового та допоміжного обладнання може становити небезпеку травмування. Використовуйте додаткове та допоміжне обладнання лише за призначенням.

У разі необхідності отримати допомогу в більш детальному ознайомленні з оснащенням звертайтеся до місцевого сервісного центру Makita.

► Рис.20

-	Модель 100 мм (4")	Модель 115 мм (4-1/2")	Модель 125 мм (5")
1	Затиск 36		
2	Захисний кожух круга (для шліфувального круга)		
3	Внутрішній фланець	Внутрішній фланець / суперфланець	
4	Круг із заглибленим центром / пелюстковий диск		
5	Контргайка		
6	Підкладка		
7	Гнучкий круг		
8	Гумова підкладка 76	Гумова підкладка 100	Гумова підкладка 115
9	Абразивний диск		
10	Контргайка шліфувального диска		
11	Дискова дротяна щітка		
12	Чашоподібна дротяна щітка		
13	Захисний кожух круга (для відрізного круга) *1		
14	Абразивний відрізнний круг / алмазний диск		
-	Ключ для контргайки		

ПРИМІТКА: *1 У деяких країнах Європи під час використання алмазного диска замість спеціального захисного кожуха, що закриває диск з обох боків, можна використовувати звичайний захисний кожух. Дотримуйтеся норм та правил, чинних у вашій країні.

ПРИМІТКА: Деякі елементи списку можуть входити до комплекту інструмента як стандартне приладдя. Вони можуть відрізнятися залежно від країни.

ТЕХНИЧЕСКИЕ ХАРАКТЕРИСТИКИ

Модель:	GA4030R	GA4530R	GA5030R
Диаметр диска	100мм (4дюйма)	115мм (4-1/2дюйма)	125мм (5дюйма)
Макс. толщина диска	6,4мм	7,2мм	
Резьба шпинделя	M10	M14 или 5/8дюйма (зависит от страны)	
Номинальное число оборотов (n)	11 000мин ⁻¹		
Общая длина	266мм		
Масса нетто	1,7кг	1,8кг	
Класс безопасности	□/II		

- Благодаря нашей постоянно действующей программе исследований и разработок указанные здесь технические характеристики могут быть изменены без предварительного уведомления.
- Технические характеристики могут различаться в зависимости от страны.
- Масса в соответствии с процедурой ЕРТА 01/2003

Назначение

Инструмент предназначен для шлифовки, зачистки и резки материалов из металла и камня без использования воды.

Источник питания

Данный инструмент должен подключаться к источнику питания с напряжением, соответствующим напряжению, указанному на идентификационной пластине, и может работать только от однофазного источника переменного тока. Он имеет двойную изоляцию и поэтому может подключаться к розеткам без заземления.

Шум

Типичный уровень взвешенного звукового давления (A), измеренный в соответствии с EN60745:
 Уровень звукового давления (L_{pA}): 85 дБ (A)
 Уровень звуковой мощности (L_{WA}): 96 дБ (A)
 Погрешность (K): 3 дБ (A)

⚠ ОСТОРОЖНО: Используйте средства защиты слуха.

Вибрация

Суммарное значение вибрации (сумма векторов по трем осям), определенное в соответствии с EN60745:

Модель GA4030R

Рабочий режим: плоское шлифование
 Распространение вибрации ($a_{h,AG}$): 7,0 м/с²
 Погрешность (K): 1,5 м/с²
 Рабочий режим: наждачный круг
 Распространение вибрации ($a_{h,DS}$): 2,5 м/с² или менее
 Погрешность (K): 1,5 м/с²

Модель GA4530R

Рабочий режим: плоское шлифование
 Распространение вибрации ($a_{h,AG}$): 7,5 м/с²
 Погрешность (K): 1,5 м/с²
 Рабочий режим: наждачный круг
 Распространение вибрации ($a_{h,DS}$): 2,5 м/с² или менее
 Погрешность (K): 1,5 м/с²

Модель GA5030R

Рабочий режим: плоское шлифование
 Распространение вибрации ($a_{h,AG}$): 8,5 м/с²
 Погрешность (K): 1,5 м/с²
 Рабочий режим: наждачный круг
 Распространение вибрации ($a_{h,DS}$): 2,5 м/с² или менее
 Погрешность (K): 1,5 м/с²

ПРИМЕЧАНИЕ: Заявленное значение распространения вибрации измерено в соответствии со стандартной методикой испытаний и может быть использовано для сравнения инструментов.

ПРИМЕЧАНИЕ: Заявленное значение распространения вибрации можно также использовать для предварительных оценок воздействия.

⚠ ОСТОРОЖНО: Распространение вибрации во время фактического использования электроинструмента может отличаться от заявленного значения в зависимости от способа применения инструмента.

⚠ ОСТОРОЖНО: Обязательно определите меры безопасности для защиты оператора, основанные на оценке воздействия в реальных условиях использования (с учетом всех этапов рабочего цикла, таких как выключение инструмента, работа без нагрузки и включение).

⚠ ОСТОРОЖНО: Заявленное значение распространения вибрации относится к основным операциям, выполняемым с помощью электроинструмента. Однако если электроинструмент используется для других целей, уровень вибрации может отличаться.

Декларация о соответствии ЕС

Только для европейских стран

Декларация о соответствии ЕС включена в руководство по эксплуатации (Приложение А).

Общие рекомендации по технике безопасности для электроинструментов

⚠ ОСТОРОЖНО: Ознакомьтесь со всеми инструкциями и рекомендациями по технике безопасности. Невыполнение инструкций и рекомендаций может привести к поражению электротоком, пожару и/или тяжелым травмам.

Сохраните брошюру с инструкциями и рекомендациями для дальнейшего использования.

Термин "электроинструмент" в предупреждениях относится ко всему инструменту, работающему от сети (с проводом) или на аккумуляторах (без провода).

Правила техники безопасности при эксплуатации шлифмашины

Общие предупреждения о правилах техники безопасности при выполнении шлифования, зачистки проволочной щеткой или абразивной резки:

1. Данный электроинструмент предназначен для шлифования, зачистки проволочной щеткой и абразивной резки. Ознакомьтесь со всеми представленными инструкциями по технике безопасности, указаниями, иллюстрациями и техническими характеристиками, прилагаемыми к данному электроинструменту. Несоблюдение каких-либо инструкций, указанных ниже, может привести к поражению электрическим током, пожару и/или серьезной травме.
2. Не рекомендуется пользоваться данным инструментом для выполнения таких операций, как полировка. Использование инструмента не по прямому назначению может привести к опасной ситуации и стать причиной травмы.
3. Не используйте принадлежности других производителей, не рекомендованные производителем данного инструмента. Даже если принадлежность удастся закрепить на инструменте, это не обеспечит безопасность эксплуатации.

4. Номинальная скорость принадлежностей должна быть как минимум равна максимальной скорости, обозначенной на инструменте. При превышении номинальной скорости принадлежности она может разломиться на части.
5. Внешний диаметр и толщина принадлежности должны соответствовать номинальной мощности инструмента. Принадлежности, размер которых подобран неверно, не гарантируют безопасности и точности управления.
6. Резьбовые отверстия дополнительных принадлежностей должны совпадать с резьбой шпинделя шлифмашины. Для принадлежности, устанавливаемых с помощью фланцев, отверстие для шпинделя на принадлежности должно соответствовать диаметру фланца. Принадлежности, не соответствующие монтажному креплению электроинструмента, приведут к разбалансировке, сильной вибрации и потере контроля.
7. Не используйте поврежденные принадлежности. Перед каждым использованием принадлежностей типа абразивных дисков проверяйте их на наличие сколов и трещин, проверяйте опорные фланцы на наличие трещин, задиrow или чрезмерного износа, а проволочные щетки - на наличие выпавших или сломанных проволоков. Если вы уронили инструмент или принадлежность, осмотрите их на предмет повреждений или установите исправную принадлежность. После осмотра и установки принадлежности встаньте в безопасном положении относительно плоскости вращения принадлежности (и проследите, чтобы это сделали окружающие) и включите инструмент на максимальной скорости без нагрузки на одну минуту. Поврежденная принадлежность обычно ломается в течение пробного периода.
8. Надевайте индивидуальные средства защиты. В зависимости от выполняемых операций используйте защитную маску или защитные очки. При необходимости надевайте респиратор, средство защиты органов слуха, перчатки и защитный передник для защиты от небольших частиц абразивных материалов или детали. Средства защиты органов зрения должны предохранять от летящих фрагментов, появляющихся при выполнении различных операций. Пылезащитная маска или респиратор должны обеспечивать фильтрацию пыли, возникающей во время работы. Продолжительное воздействие сильного шума может стать причиной потери слуха.
9. Посторонние лица должны находиться на безопасном расстоянии от рабочей зоны. Любой приближающийся к рабочему месту человек должен предвительно надеть индивидуальные средства защиты. Осколки заготовки или сломавшейся принадлежности могут разлететься и причинить травму даже на значительном удалении от рабочего места.

10. Если при выполнении работ существует риск контакта режущего инструмента со скрытой электропроводкой или собственным шнуром питания, держите электроинструмент только за специально предназначенные изолированные рукоятки. Контакт с проводом под напряжением может стать причиной поражения оператора током.
11. Располагайте шнур на расстоянии от вращающейся насадки. Если вы не удержите инструмент, возможно случайное разрезание или повреждение шнура, а также затягивание руки вращающейся принадлежностью.
12. Не кладите инструмент, пока принадлежность полностью не остановится. Вращающаяся насадка может коснуться поверхности, и вы не удержите инструмент.
13. Не включайте инструмент во время переноски. Случайный контакт с вращающейся принадлежностью может привести к заземлению одежды и притягиванию принадлежности к телу.
14. Регулярно прочищайте вентиляционные отверстия инструмента. Вентилятор электродвигателя засасывает пыль внутрь корпуса, а значительные отложения металлической пыли могут привести к поражению электрическим током.
15. Не используйте инструмент вблизи горючих материалов. Эти материалы могут воспламениться от искр.
16. Не используйте принадлежности, требующие жидкостного охлаждения. Использование воды или других охлаждающих жидкостей может привести к поражению электротоком.
3. Не становитесь на возможной траектории движения инструмента в случае отдачи. При отдаче инструмент сместится в направлении, противоположном вращению диска в момент застревания.
4. Соблюдайте особую осторожность при обработке углов, острых краев и т. п. Не допускайте ударов и застревания принадлежности. Углы, острые края и удары способствуют прихвату вращающейся принадлежности, которое приводит к выходу из-под контроля или отдаче.
5. Не устанавливайте на инструмент пильную цепь, принадлежность для резбы по дереву или пильный диск. Такие пилы часто дают отдачу и приводят к потере контроля.

Специальные предупреждения о безопасности для операций шлифования и абразивной резки:

1. Используйте диски только рекомендованных для вашего электроинструмента типов и специальные защитные приспособления, разработанные для выбранного диска. Диски, не предназначенные для данного инструмента, не обеспечивают достаточную степень защиты и небезопасны.
2. Шлифовальная поверхность дисков с утопленным центром должна быть установлена под плоской поверхностью кромки кожуха. Для неправильно установленного диска, выступающего над плоской поверхностью кромки кожуха, надлежащая защита не гарантируется.
3. Ограждение должно быть надежно закреплено на инструменте и расположено для обеспечения максимальной защиты таким образом, чтобы как можно меньший сегмент диска выступал наружу. Кожух помогает обезопасить оператора от разлета осколков разрушившегося диска, случайного прикосновения к диску и искр, которые могут воспламенить одежду.
4. Диски должны использоваться только по рекомендованному назначению. Например: не шлифуйте краем отрезного диска. Абразивные отрезные диски предназначены для периферийного шлифования, и боковые усилия, приложенные к таким дискам, могут вызвать их разрушение.
5. Обязательно используйте неповрежденные фланцы для дисков соответствующего размера и формы. Подходящие фланцы поддерживают диск, снижая вероятность его повреждения. Фланцы для отрезных дисков могут отличаться от фланцев для шлифовальных дисков.
6. Не используйте изношенные диски от более крупных электроинструментов. Диски, предназначенные для более мощного электроинструмента, не подходят для высокоскоростного электроинструмента меньшей мощности и могут разломиться.

Дополнительные специальные предупреждения о безопасности для операций абразивной резки:

1. Не "заклинивайте" отрезной диск и не прикладываете к нему чрезмерное давление. Не пытайтесь делать слишком глубокий разрез. Перенапряжение диска увеличит нагрузку и вероятность искривления или застревания диска в прорези, а также отдачи или поломки диска.

Отдача и соответствующие предупреждения

Отдача – это мгновенная реакция на неожиданное застопоривание вращающегося диска, опорной подушки, щетки или другой принадлежности.

Зажимание или застопоривание вызывает резкий останов вращающейся принадлежности, что, в свою очередь, приводит к неконтролируемому рывку инструмента в направлении, противоположном вращению принадлежности в момент застревания. Например, если абразивный диск зажимается или прихвывается деталью, край диска, находящийся в точке заклинивания, может углубиться в поверхность детали, что приведет к выкачиванию или выскакиванию диска. Диск может совершить рывок в направлении оператора или обратно, в зависимости от направления перемещения диска в точке заклинивания. Также в этих условиях абразивные диски могут сломаться.

Отдача – это результат неправильного использования электроинструмента и/или неправильных методов или условий работ, чего можно избежать, соблюдая нижеуказанные меры предосторожности.

1. Крепко держите электроинструмент и располагайте свое тело и руки так, чтобы можно было сопротивляться силам отдачи. Обязательно пользуйтесь вспомогательной рукояткой (при наличии), чтобы обеспечить максимальный контроль над отдачей или крутящим моментом во время пуска. Оператор способен справиться с крутящим моментом и силами отдачи при условии соблюдения соответствующих мер безопасности.
2. Берегите руки от вращающейся насадки. При отдаче насадка может задеть ваши руки.

2. Не становитесь на возможной траектории движения вращающегося диска и позади него. Если во время работы диск движется от вас, то при отдаче вращающийся диск и инструмент может отбросить прямо на вас.
3. Если диск застревает или процесс резания прерывается по другой причине, выключите электроинструмент и держите его неподвижно до полной остановки диска. Не пытайтесь извлечь отрезной диск из разреза до полной остановки диска, в противном случае может возникнуть отдача. Выясните и устраните причину застревания диска.
4. Не перезапускайте отрезной диск, пока он находится в детали. Дождитесь, пока диск разовьет максимальную скорость, и осторожно погрузите его в разрез. Диск может застрять, отдача может отбросить его вверх или назад, если перезапустить электроинструмент непосредственно в детали.
5. Устанавливайте опоры под панели или большие детали, чтобы уменьшить риск застревания диска и возникновения отдачи. Большие детали имеют тенденцию к прогибанию под собственным весом. При резании таких панелей необходимо поместить опоры под разрезаемую деталью рядом с линией разреза и рядом с краем детали с обеих сторон диска.
6. Будьте особенно осторожны при выполнении врезки в существующих стенах или на других участках, недоступных для осмотра. Выступающая часть диска может перерезать газовые или водопроводные трубы, электропроводку или детали, что может вызвать отдачу.

Специальные инструкции по технике безопасности для выполнения операций шлифования:

1. Не пользуйтесь наждачной бумагой слишком большого размера. При выборе наждачной бумаги следуйте рекомендациям производителя. Большие размеры наждачной бумаги, выступающей за края подложки, могут привести к разрыву бумаги, застреванию, разрушению круга или отдаче.

Специальные инструкции по технике безопасности, относящиеся к операциям очистки проволочной щеткой:

1. Берегитесь проволок, которые разлетаются от щетки даже в нормальном режиме работы. Не прикладывайте чрезмерное усилие на проволоку, слишком сильно нажимая на щетку. Проволока щетки может легко пробить одежду и/или кожу.
2. Если для работы по очистке проволочными щетками рекомендуется использовать кожух, не допускайте контакта проволочного диска или щетки с кожухом. Проволочный диск или щетка могут увеличиваться в диаметре под воздействием нагрузки и центробежных сил.

Дополнительные правила техники безопасности:

1. При применении дисков с утолщенным центром используйте только диски, армированные стекловолокном.
2. ЗАПРЕЩАЕТСЯ ИСПОЛЬЗОВАТЬ с этим инструментом шлифовальные чашки для камня. Данная шлифмашина не предназначена для дисков такого типа, их использование может привести к тяжелой травме.

3. Будьте осторожны во избежание повреждения шпинделя, фланца (особенно его установочной поверхности) или контргайки. Повреждения этих деталей могут привести к поломке диска.
4. Перед включением выключателя убедитесь, что диск не касается детали.
5. Перед использованием инструмента на реальной детали дайте ему немного поработать вхолостую. Следите за вибрацией или биением, которые могут свидетельствовать о неправильной установке или плохой балансировке диска.
6. Для выполнения шлифования пользуйтесь соответствующей поверхностью диска.
7. Не оставляйте работающий инструмент без присмотра. Включайте инструмент только тогда, когда он находится в руках.
8. Сразу после окончания работ не прикасайтесь к обработанной детали. Она может быть очень горячей, что приведет к ожогу кожи.
9. Соблюдайте инструкции изготовителя по правильной установке и использованию дисков. Бережно обращайтесь с дисками и аккуратно храните их.
10. Не пользуйтесь отдельными переходными втулками или адаптерами для крепления абразивных дисков с большими отверстиями.
11. Пользуйтесь только фланцами, предназначенными для данного инструмента.
12. Для инструментов, предназначенных для использования дисков с резьбовым отверстием, убедитесь, что резьба диска достаточна, чтобы диск можно было полностью завернуть на шпиндель.
13. Убедитесь, что обрабатываемая деталь имеет надлежащую опору.
14. Обратите внимание на то, что диск будет некоторое время вращаться после выключения инструмента.
15. Если в месте выполнения работ очень высокая температура и влажность или наблюдается большое количество токопроводящей пыли, используйте прерыватель цепи (30 мА) для обеспечения безопасности работ.
16. Не используйте инструмент на любых материалах, содержащих асбест.
17. При использовании отрезного диска, всегда работайте с защитным кожухом с патрубком для удаления пыли, установка которого необходима в соответствии с местными нормативными требованиями.
18. Не подвергайте отрезные круги какому-либо боковому давлению.
19. Не пользуйтесь тканевыми перчатками во время работы. Волокна от тканевых перчаток могут попасть в инструмент и привести к его поломке.

СОХРАНИТЕ ДАННЫЕ ИНСТРУКЦИИ.

▲ОСТОРОЖНО: НЕ ДОПУСКАЙТЕ, чтобы удобство или опыт эксплуатации данного устройства (полученный от многократного использования) доминировали над строгим соблюдением правил техники безопасности при обращении с этим устройством. НЕПРАВИЛЬНОЕ ИСПОЛЬЗОВАНИЕ инструмента или несоблюдение правил техники безопасности, указанных в данном руководстве, может привести к тяжелой травме.

ОПИСАНИЕ РАБОТЫ

⚠ВНИМАНИЕ: Перед регулировкой или проверкой функций инструмента обязательно убедитесь, что он выключен и его вилка вынута из розетки.

Фиксатор вала

Нажмите на фиксатор вала для предотвращения вращения шпинделя при установке или снятии дополнительных принадлежностей.

► Рис.1: 1. Фиксатор вала

ПРИМЕЧАНИЕ: Никогда не задействуйте фиксатор вала при вращающемся шпинделе. Это может привести к повреждению инструмента.

Действие выключателя

⚠ВНИМАНИЕ: Перед включением штекера инструмента в розетку питания обязательно убедитесь, что ползунковый переключатель работает надлежащим образом и возвращается в положение “ВЫКЛ” при нажатии на его заднюю часть.

⚠ВНИМАНИЕ: В случае продолжительной работы для удобства оператора переключатель можно зафиксировать в положении “ВКЛ.”. Соблюдайте осторожность при фиксации инструмента в положении “ВКЛ.” и крепко удерживайте инструмент.

Для включения инструмента переместите ползунковый переключатель в положение “I (ВКЛ.)”, нажав на заднюю часть переключателя. Для непрерывной работы нажмите на переднюю часть ползункового переключателя для его фиксации.

Для остановки инструмента нажмите на заднюю часть переключателя, после чего передвиньте его в положение “O (ВЫКЛ.)”.

► Рис.2: 1. Ползунковый переключатель

Защита от случайного включения

При заблокированном переключателе инструмент не включится даже при подсоединении к электросети. Для отмены защиты от случайного включения верните выключатель питания в положение OFF (ВЫКЛ.).

ПРИМЕЧАНИЕ: Подождите минимум одну секунду, прежде чем запустить инструмент при включенной функции защиты от случайного включения.

ПРИМЕЧАНИЕ: При перегрузке инструмента и повышении его температуры до определенного уровня инструмент может автоматически отключиться. В этом случае дайте инструменту остыть перед повторным включением.

Функция плавного запуска

Функция плавного запуска снижает начальный рывок инструмента.

СБОРКА

⚠ВНИМАНИЕ: Перед проведением каких-либо работ с инструментом обязательно проверяйте, что инструмент выключен, а шнур питания вынут из розетки.

Установка боковой ручки (рукоятки)

⚠ВНИМАНИЕ: Перед работой всегда проверяйте надежность крепления боковой ручки.

Прочно закрепите боковую ручку на месте винтом, как показано на рисунке.

► Рис.3

Установка или снятие защитного кожуха (для диска с утопленным центром, откидного круга, гибкого диска, дисковой проволочной щетки / абразивного отрезного диска, алмазного диска)

⚠ОСТОРОЖНО: При использовании диска с утопленным центром, откидного круга, гибкого диска или дисковой проволочной щетки установите защитный кожух так, чтобы закрытая сторона кожуха была направлена к оператору.

⚠ОСТОРОЖНО: При использовании абразивного отрезного диска/алмазного диска может применяться только специальный защитный кожух, предназначенный для отрезных дисков.

(В некоторых странах Европы при использовании алмазного диска можно применять обычный кожух. Соблюдайте требования нормативов, действующих в вашей стране.)

Для инструмента с кожухом диска со стопорным винтом

Установите защитный кожух так, чтобы выступы на его хомуте совместились с пазами на коробке подшипника. Затем установите кожух диска под таким углом, чтобы во время работы он защищал оператора. Проверьте, чтобы винт был надежно затянут. Для снятия кожуха диска выполните процедуру установки в обратном порядке.

► Рис.4: 1. Кожух диска 2. Коробка подшипника 3. Винт

Для инструмента с кожухом диска с зажимным рычагом

Ослабьте винт и потяните рычаг в направлении, указанном стрелкой. Установите защитный кожух так, чтобы выступы на его хомуте совместились с пазами на коробке подшипника. Затем установите кожух диска под таким углом, чтобы во время работы он защищал оператора.

► **Рис.5:** 1. Кожух диска 2. Коробка подшипника 3. Винт 4. Рычаг

Потяните рычаг в направлении, указанном стрелкой. Затем зафиксируйте кожух диска, затянув винт. Проверьте, чтобы винт был надежно затянут. Регулировка установочного угла кожуха диска выполняется при помощи рычага.

► **Рис.6:** 1. Винт 2. Рычаг

Для снятия кожуха диска выполните процедуру установки в обратном порядке.

Установка и снятие диска с утопленным центром или откидного круга

Дополнительные принадлежности

▲ ОСТОРОЖНО: При использовании диска с утопленным центром или откидного круга кожух диска должен быть установлен так, чтобы его закрытая сторона была обращена к оператору.

▲ ВНИМАНИЕ: Убедитесь, что крепежный компонент внутреннего фланца идеально совпадает с внутренним диаметром диска с утопленным центром/откидного круга. Установка внутреннего фланца не с той стороны может привести к возникновению опасной вибрации.

Установите на шпindelь внутренний фланец. Убедитесь, что часть с выемкой внутреннего фланца установлена на ровный участок у нижней части шпинделя.

Установите диск с утопленным центром/откидной круг на внутренний фланец и закрутите контргайку на шпинделе.

► **Рис.7:** 1. Контргайка 2. Диск с утопленным центром 3. Внутренний фланец 4. Крепежный компонент

Для затяжки контргайки сильно надавите на фиксатор вала, чтобы шпindelь не проворачивался, затем воспользуйтесь ключом контргайки и крепко затяните ее по часовой стрелке.

► **Рис.8:** 1. Ключ контргайки 2. Фиксатор вала

Для снятия диска выполните процедуру установки в обратном порядке.

Суперфланец

Дополнительные принадлежности

Только для инструментов с резьбой шпинделя M14.

Модели с буквой F стандартно комплектуются суперфланцем. Для откручивания контргайки достаточно только 1/3 усилия, необходимого для снятия стандартной гайки.

Установка и снятие гибкого диска

Дополнительные принадлежности

▲ ОСТОРОЖНО: При установке на инструмент гибкого диска обязательно используйте прилагаемый кожух. Во время работы диск может разрушиться. Защитный кожух снизит риск получения травмы.

► **Рис.9:** 1. Контргайка 2. Гибкий диск 3. Вспомогательная подушка 4. Внутренний фланец

Следуйте указаниям для диска с утопленным центром, а также установите над диском вспомогательную подушку. Порядок сборки дополнительных принадлежностей см. на соответствующей странице данного руководства.

Установка или снятие абразивного круга

Дополнительные принадлежности

► **Рис.10:** 1. Шлифовальная контргайка 2. Абразивный круг 3. Резиновая подушка

1. Установите резиновую подушку на шпindelь.
2. Установите круг на резиновую подушку и наверните на шпindelь шлифовальную контргайку.
3. Закрепите шпindelь с помощью фиксатора вала и надежно затяните шлифовальную контргайку по часовой стрелке с помощью ключа.

Для снятия круга выполните процедуру установки в обратном порядке.

ПРИМЕЧАНИЕ: Используйте принадлежности для шлифования, указанные в данном руководстве. Их необходимо приобретать отдельно.

ЭКСПЛУАТАЦИЯ

▲ ОСТОРОЖНО: Никогда не прилагайте к инструменту чрезмерные усилия. Вес инструмента обеспечивает достаточное давление. Чрезмерное усилие и давление могут привести к опасному разрушению диска.

▲ ОСТОРОЖНО: ОБЯЗАТЕЛЬНО замените диск, если при шлифовании инструмент упал.

▲ ОСТОРОЖНО: ЗАПРЕЩАЕТСЯ стучать и бить шлифовальным кругом по обрабатываемой детали.

▲ ОСТОРОЖНО: Избегайте подпрыгивания и зацепления диска, особенно при обработке углов, острых краев и т. д. Это может привести к потере контроля и отдаче.

▲ ОСТОРОЖНО: Запрещается использовать инструмент с полотнами для обработки дерева или другими пыльными дисками. При использовании на шлифмашине такие диски часто выскакивают, выходят из-под контроля и приводят к травмам.

▲ ВНИМАНИЕ: Запрещается включать инструмент, если он касается обрабатываемого изделия. Это может стать причиной травмы оператора.

▲ ВНИМАНИЕ: Во время выполнения операции всегда надевайте защитные очки или защитную маску.

▲ ВНИМАНИЕ: После работы всегда отключайте инструмент и дожидайтесь полной остановки диска перед тем, как положить инструмент.

▲ ВНИМАНИЕ: ВСЕГДА крепко держите инструмент, положив одну руку на корпус, а вторую - на боковую ручку (рукоятку).

Шлифовка и зачистка

► Рис. 11

Включите инструмент, а затем прижмите диск или круг к обрабатываемой детали. Обычно следует держать край диска или круга под углом около 15 градусов относительно поверхности обрабатываемой детали. В период приработки нового диска не перемещайте шлифмашину вперед, поскольку диск может врезаться в обрабатываемую деталь. После того как кромка диска закруглится от использования, можно будет перемещать его в обоих направлениях (вперед и назад).

Выполнение работ с абразивным отрезным/алмазным диском

Дополнительные принадлежности

▲ ОСТОРОЖНО: При использовании абразивного отрезного диска/алмазного диска может применяться только специальный защитный кожух, предназначенный для отрезных дисков.

(В некоторых странах Европы при использовании алмазного диска можно применять обычный кожух. Соблюдайте требования нормативов, действующих в вашей стране.)

▲ ОСТОРОЖНО: ЗАПРЕЩАЕТСЯ использовать отрезной диск для шлифовки боковой поверхностью.

▲ ОСТОРОЖНО: Не “заклинивайте” диск и не оказывайте на него чрезмерное давление. Не пытайтесь делать слишком глубокий разрез. Чрезмерное давление на диск увеличивает нагрузку и вероятность искривления или застревания диска в прорези, а также возможность отдачи, поломки диска и перегрева электродвигателя.

▲ ОСТОРОЖНО: Не запускайте отрезной диск, пока он находится в детали. Дайте диску раскрутиться до максимальной скорости, а затем осторожно введите в разрез, перемещая инструмент вперед по поверхности обрабатываемой детали. Диск может застрять, отдача может отбросить его вверх или назад, если запустить электроинструмент, когда диск находится в детали.

▲ ОСТОРОЖНО: Во время операций резания нельзя менять угол наклона диска. Боковое давление на отрезной диск (как при шлифовке) приводит к растрескиванию и разрушению диска, в результате чего возможны серьезные травмы.

▲ ОСТОРОЖНО: Работы с алмазным диском необходимо выполнять, удерживая его перпендикулярно рабочей поверхности.

► Рис. 12: 1. Контргайка 2. Абразивный отрезной диск/алмазный диск 3. Внутренний фланец 4. Защитный кожух для абразивного отрезного диска/алмазного диска

Сведения по установке см. в инструкциях к диску с утопленным центром.

Направление установки контргайки и внутреннего фланца зависит от толщины и типа диска. Придерживайтесь следующих значений.

Модель 100 мм (4 дюйма)

При установке абразивного отрезного диска:

► Рис. 13: 1. Контргайка 2. Абразивный отрезной диск (тоньше 4 мм (5/32 дюйма)) 3. Абразивный отрезной диск (4 мм (5/32 дюйма) или толще) 4. Внутренний фланец

При установке алмазного диска:

- Рис.14: 1. Контргайка 2. Алмазный диск (тоньше 4 мм (5/32 дюйма)) 3. Алмазный диск (4 мм (5/32 дюйма) или толще) 4. Внутренний фланец

Для модели 115 мм (4 - 1/2 дюйма)/125 мм (5 дюймов)

При установке абразивного отрезного диска:

- Рис.15: 1. Контргайка 2. Абразивный отрезной диск (тоньше 4 мм (5/32 дюйма)) 3. Абразивный отрезной диск (4 мм (5/32 дюйма) или толще) 4. Внутренний фланец

При установке алмазного диска:

- Рис.16: 1. Контргайка 2. Алмазный диск (тоньше 4 мм (5/32 дюйма)) 3. Алмазный диск (4 мм (5/32 дюйма) или толще) 4. Внутренний фланец

Операции с чашечной проволочной щеткой

Дополнительные принадлежности

ВНИМАНИЕ: Проверьте работу щетки, запустив инструмент на холостом ходу, предварительно убедившись, что никто не находится перед ним или на одной линии со щеткой.

ВНИМАНИЕ: Не используйте поврежденную или разбалансированную щетку. Использование поврежденной щетки может увеличить опасность получения травм от контакта с проволокой.

- Рис.17: 1. Чашечная проволочная щетка

Отключите инструмент от питания и расположите его дисковой частью вверх, что позволит легко получить доступ к шпинделю.

Снимите со шпинделя все дополнительные принадлежности. Наверните проволочную чашечную щетку на шпиндель и затяните прилагаемым ключом.

ПРИМЕЧАНИЕ: Не прилагайте слишком большое давление, так как оно может привести к тому, что проволока погнется во время использования щетки. Это может стать причиной преждевременной поломки.

Работа с дисковой проволочной щеткой

Дополнительные принадлежности

ВНИМАНИЕ: Проверьте работу дисковой проволочной щетки, запустив инструмент на холостом ходу и предварительно убедившись, что никто не находится перед ним или на одной линии с дисковой проволочной щеткой.

ВНИМАНИЕ: Не используйте поврежденную или разбалансированную дисковую проволочную щетку. Использование поврежденной дисковой проволочной щетки может увеличить риск получения травм от контакта с проволокой.

ВНИМАНИЕ: При работе с дисковой проволочной щеткой ВСЕГДА используйте защитный кожух, убедившись, что диаметр диска соответствует внутреннему диаметру кожуха. Во время работы диск может разрушиться. Защитный кожух снизит риск получения травмы.

- Рис.18: 1. Дисковая проволочная щетка

Отключите инструмент от питания и расположите его дисковой частью вверх, что позволит легко получить доступ к шпинделю.

Снимите со шпинделя все дополнительные принадлежности. Установите дисковую проволочную щетку на шпиндель и затяните ее с помощью ключей.

ПРИМЕЧАНИЕ: Не прилагайте слишком большое давление, так как оно может привести к тому, что проволока погнется во время использования дисковой проволочной щетки. Это может стать причиной преждевременной поломки.

ОБСЛУЖИВАНИЕ

ВНИМАНИЕ: Перед проверкой или проведением техобслуживания убедитесь, что инструмент выключен, а штекер отсоединен от розетки.

ПРИМЕЧАНИЕ: Запрещается использовать бензин, растворители, спирт и другие подобные жидкости. Это может привести к обезцвечиванию, деформации и трещинам.

Очистка вентиляционного отверстия

Инструмент и его вентиляционные отверстия должны содержаться в чистоте. Производите регулярную очистку вентиляционных отверстий инструмента или очищайте их в случае засорения.

- Рис.19: 1. Вытяжное отверстие 2. Впускное вентиляционное отверстие

Для обеспечения БЕЗОПАСНОСТИ и НАДЕЖНОСТИ оборудования ремонт, любое другое техобслуживание или регулировку необходимо производить в полномочных сервис-центрах Makita или сервис-центрах предприятия с использованием только сменных частей производства Makita.

ДОПОЛНИТЕЛЬНЫЕ ПРИНАДЛЕЖНОСТИ

⚠ ВНИМАНИЕ: Данные принадлежности или приспособления рекомендуются для использования с инструментом Makita, указанным в настоящем руководстве. Использование других принадлежностей или приспособлений может привести к получению травмы. Используйте принадлежность или приспособление только по указанному назначению.

Если вам необходимо содействие в получении дополнительной информации по этим принадлежностям, свяжитесь с вашим сервис-центром Makita.

► Рис.20

-	Модель 100 мм (4 дюйма)	Модель 115 мм (4-1/2 дюйма)	Модель 125 мм (5 дюймов)
1	Рукоятка 36		
2	Кожух диска (для шлифовального диска)		
3	Внутренний фланец	Внутренний фланец / суперфланец	
4	Диск с утопленным центром/откидной круг		
5	Контргайка		
6	Вспомогательная подушка		
7	Гибкий диск		
8	Резиновая подушка 76	Резиновая подушка 100	Резиновая подушка 115
9	Абразивный круг		
10	Шлифовальная контргайка		
11	Дисковая проволочная щетка		
12	Чашечная проволочная щетка		
13	Кожух диска (для отрезного диска) *1		
14	Абразивный отрезной диск / алмазный диск		
-	Ключ контргайки		

ПРИМЕЧАНИЕ: *1 В некоторых странах Европы при использовании алмазного диска можно использовать обычный кожух вместо специального, закрывающего обе стороны диска. Соблюдайте требования нормативов, действующих в вашей стране.

ПРИМЕЧАНИЕ: Некоторые элементы списка могут входить в комплект инструмента в качестве стандартных приспособлений. Они могут отличаться в зависимости от страны.

Makita Europe N.V. Jan-Baptist Vinkstraat 2,
3070 Kortenberg, Belgium

Makita Corporation 3-11-8, Sumiyoshi-cho,
Anjo, Aichi 446-8502 Japan

www.makita.com

885462B962 EN, SL, SQ, BG, HR, MK, SR, RO, UK, RU 20160708
--